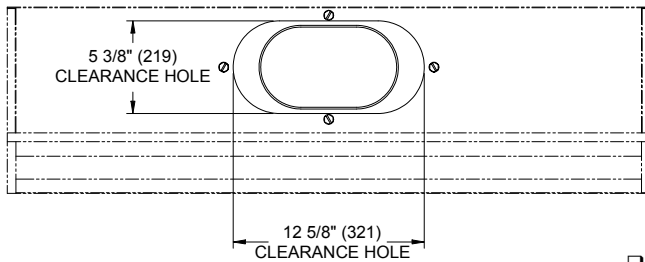


JOB NAME _____
 ARCHITECT _____
 ENGINEER _____
 CONTRACTOR _____
 LOCATION _____

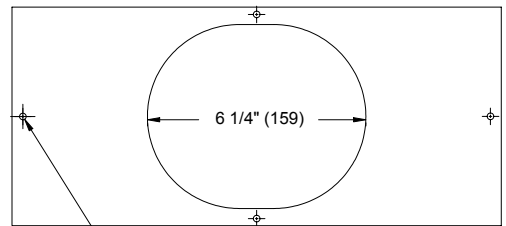
SUBMITTAL SHEET
 Form Number DS0304 Effective Date 5/03
 NEW



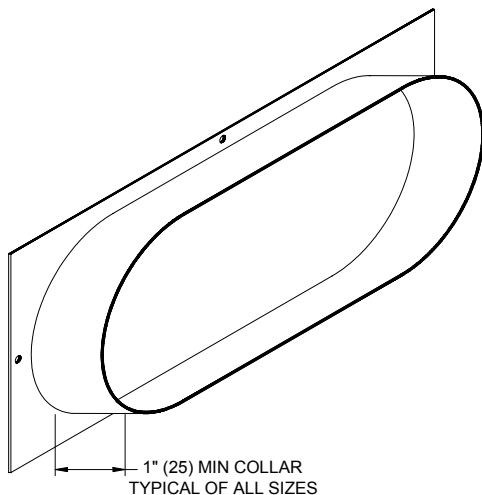
IC
PTBT PLENUM INLET COLLAR



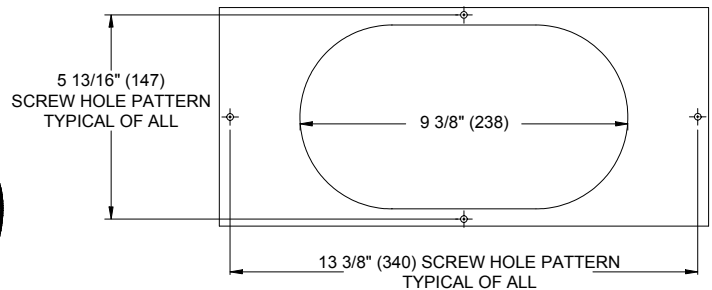
**GENERAL
 INSTALLATION DETAIL**



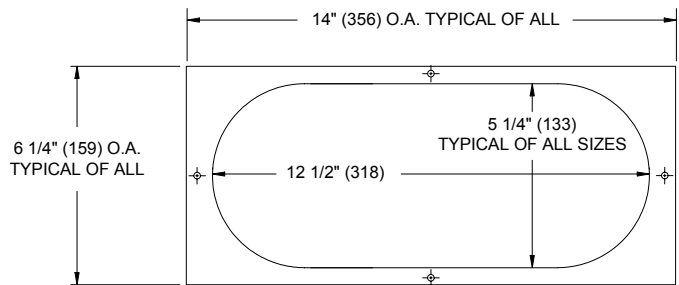
□ **SIZE 06** 1/8" (3) DIA. HOLE PUNCHED AT CENTER LINE TYPICAL OF ALL SIZES



ISOMETRIC VIEW



□ **SIZE 08**



□ **SIZE 10**

NOMINAL INLET	SIZES AVAILABLE		
	06 6" (152) OVAL	08 8" (203) OVAL	10 10" (254) OVAL

NOTES :

- STANDARD CONSTRUCTION IS 24 GA. GALVANIZED STEEL.
- MILL FINISH IS STANDARD.
- UNIT SHIPS SEPARATELY FOR FIELD INSTALLATION.
- MOUNTING SCREWS ARE PROVIDED BY OTHERS.

DIMENSIONS ARE GIVEN AS INCHES (MM)