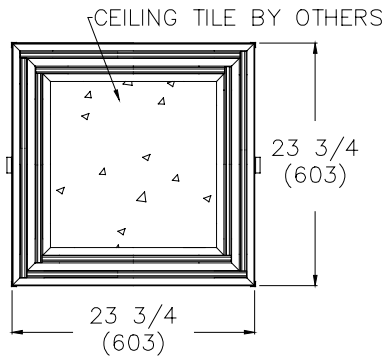


JOB NAME _____
 ARCHITECT _____
 ENGINEER _____
 CONTRACTOR _____
 LOCATION _____

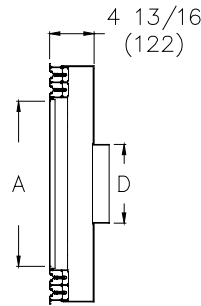
SUBMITTALSHEET
 Form Number DS0715.2 Effective Date 08/99
 Replaces Form DS0715.1



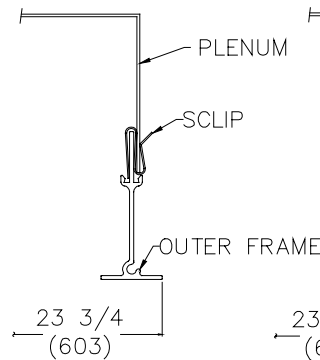
**1900SQ -
 SQUARE LINEAR SLOT DIFFUSER – SUPPLY AND RETURN**



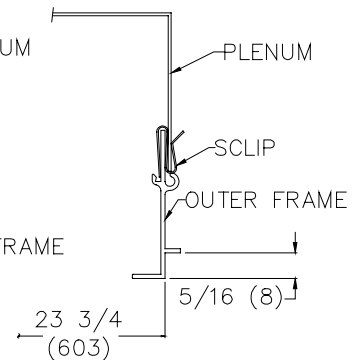
TWO SLOT FACE VIEW



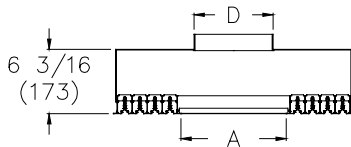
TWO SLOT SECTION



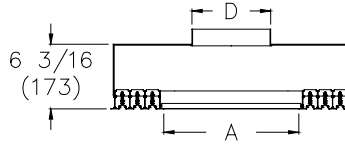
FRAME 23



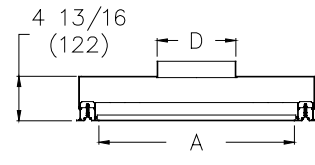
FRAME 98



FOUR SLOT SECTION



THREE SLOT SECTION



ONE SLOT SECTION

# OF SLOTS	SLOT WIDTH	FRAME 23		FRAME 98	
		A	D	A	D
1	3/4	19 1/4 (489)	8 (203)	19 9/16 (497)	8 (203)
2		16 1/4 (413)	10 (254)	16 9/16 (421)	10 (254)
3		13 1/4 (337)	12 (305)	13 9/16 (344)	12 (305)
4		10 1/4 (260)	14 (356)	10 9/16 (268)	14 (356)
1	1	18 3/4 (476)	8 (203)	19 1/16 (484)	8 (203)
2		15 1/4 (387)	10 (254)	15 9/16 (395)	10 (254)
3		11 3/4 (298)	12 (305)	12 1/16 (306)	12 (305)
4		8 1/4 (210)	14 (356)	8 9/16 (217)	14 (356)

NOTES:

1. 1900 SQ AVAILABLE IN FRAMES 23 & 98 ONLY.
2. 1900 SQ IS ALL ALUMINUM CONSTRUCTION WITH STEEL CLIPS.
3. STANDARD FINISH IS 44 BRITISH WHITE WITH BLACK BLADES. FOR ADDITIONAL FINISHES SEE ORDERING PROCEDURES.
4. UNITS ARE AVAILABLE AS 24"x24" PANEL SIZE ONLY.
5. 1900SQ RETURN IS ORDERED AS THE NO BLADE OPTION.
6. 1900SQ SUPPLY IS AVAILABLE WITH INSULATION (1900SQSI)

**DIMENSIONS ARE SHOWN AS
 INCHES (MM)**