

1900MC MITERED CORNERS

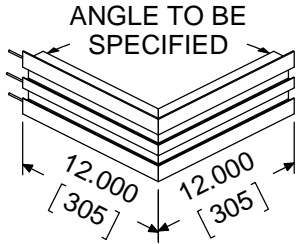
FRAMES A, B, C, D, E, F, I, J, K, M, N, S, T

SUBMITTAL SHEET

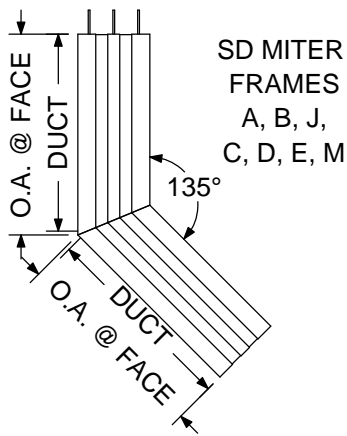
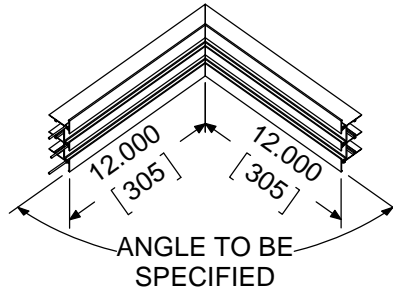
NOTES:
 MITER ANGLES AVAILABLE:
 90°, 135°, CUSTOM

MITER STYLES AVAILABLE:
 SD = STANDARD FLAT FACE
 CEILING-MOUNTED
 O.S. = OUTSIDE CORNER
 WALL-MOUNTED
 I.S. = INSIDE CORNER
 WALL-MOUNTED

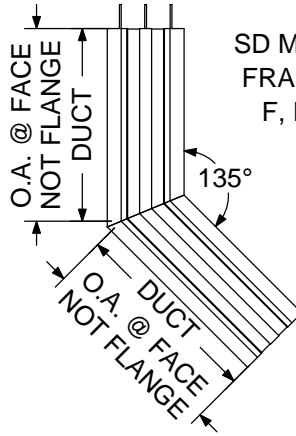
O.S. MITER
 ALL FRAMES



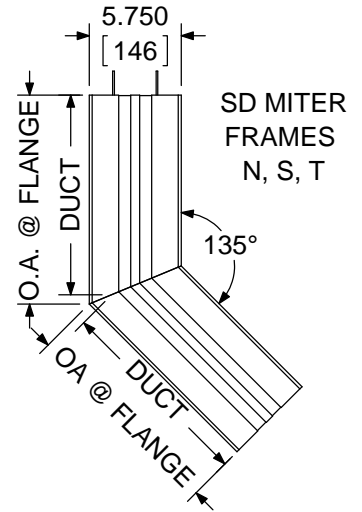
I.S. MITER
 ALL FRAMES



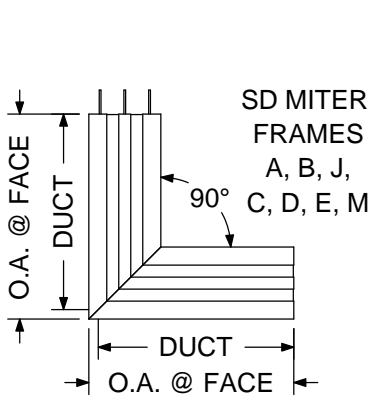
SD MITER
 FRAMES
 A, B, J,
 C, D, E, M



SD MITER
 FRAMES
 F, I, K

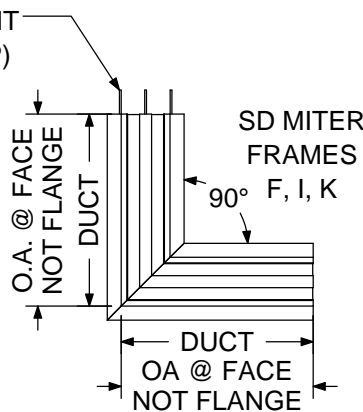


SD MITER
 FRAMES
 N, S, T

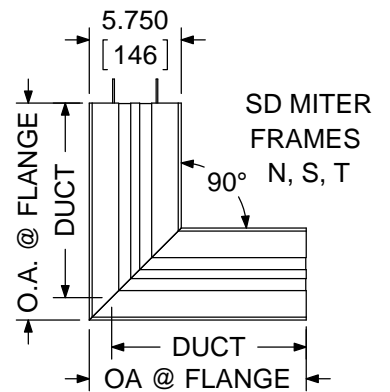


SD MITER
 FRAMES
 A, B, J,
 C, D, E, M

ALIGNMENT
 PINS (TYP)

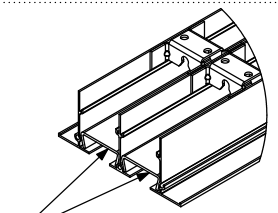


SD MITER
 FRAMES
 F, I, K



SD MITER
 FRAMES
 N, S, T

O.A. SLOTS	FRAMES						DUCT LENGTH
	A	B, J	C, D, E	F, I, K	M	N, S, T	
1	12 5/16 (313)	12 7/16 (316)	12 3/8 (315)	12 (305)	13 3/16 (335)	14 3/16 (361)	12
2						13 9/16 (345)	
3	24 5/16 (618)	24 7/16 (621)	24 3/8 (620)	24 (610)	25 3/16 (640)	24 7/8 (632)	24
4-8						24 3/16 (615)	



BLANK OFFS (TYP)

DIMENSIONS ARE IN INCHES (MM), APPLY ONLY TO SD - (FLAT FACE CEILING MOUNTED)