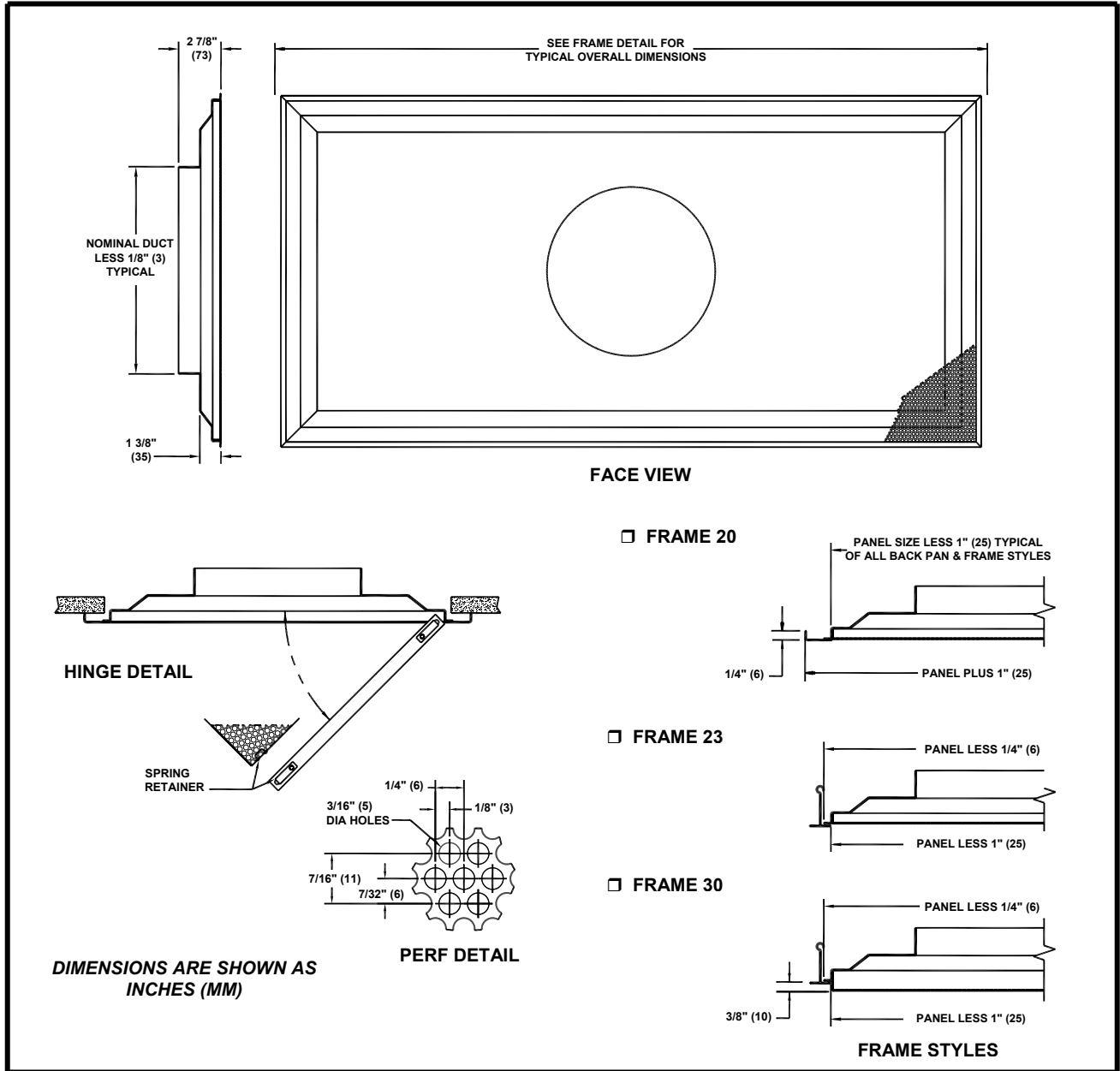


JOB NAME _____
 ARCHITECT _____
 ENGINEER _____
 CONTRACTOR _____
 LOCATION _____

SUBMITTALSHEET
 Form Number DS6083.1 Effective Date 6/06
 Replaces Form DS6083



6690 SERIES
Perforated Return with Round Neck



		PANEL SIZES					
		12x12 (305x305)	16x16 (406x406)	20x20 (508x508)	24x24 (610x610)	24x12 (610x305)	48x24(1219x610)
INLET SIZES AVAILABLE	SEE FORM DS6081		6"(152)	6"(152)	SEE FORM DS6081	6"(152)	6"(152)
			8"(203)	8"(203)		8"(203)	8"(203)
			10"(254)	10"(254)		10"(254)	10"(254)
				12"(305)		12"(305)	12"(305)
				14"(356)		14"(356)	14"(356)
					16"(406)	16"(406)	

NOTE :

- 6690 CONSTRUCTION IS STEEL.
- STANDARD FINISH IS BRITISH WHITE.