

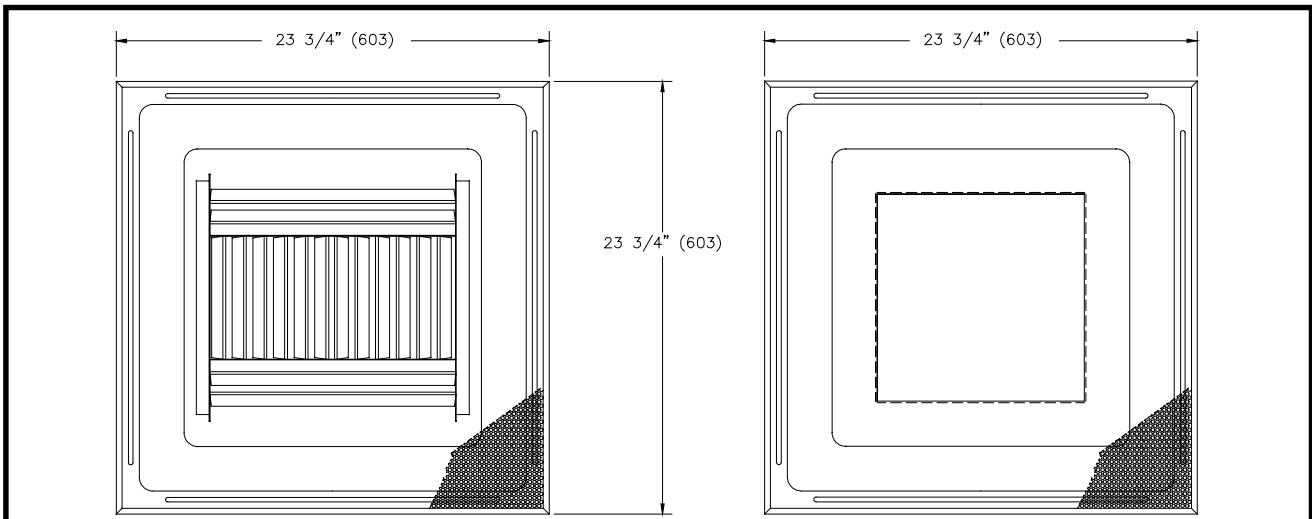
JOB NAME _____
 ARCHITECT _____
 ENGINEER _____
 CONTRACTOR _____
 LOCATION _____

SUBMITTALSHEET
 Form Number DS6040.2 Effective Date 10/99
 Replaces DS6039 & DS6040.1



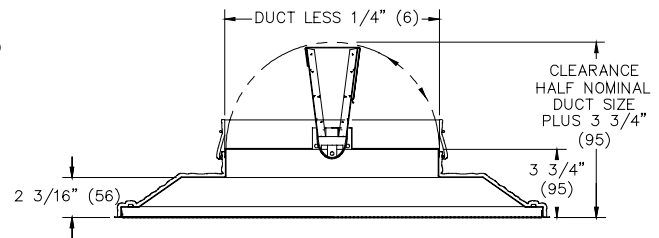
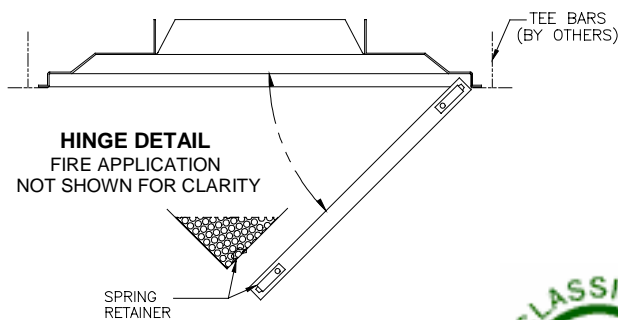
6200FR / 6290FR SERIES

Adjustable Supply / Return with Square Neck & Perforated Face

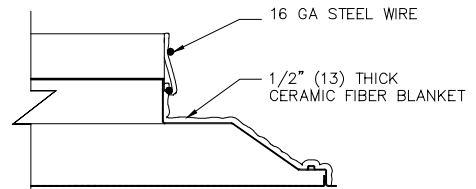
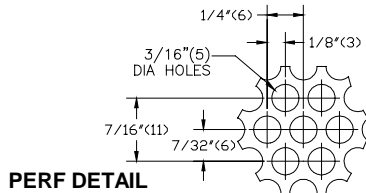


□ 6200FR - SUPPLY

□ 6290FR - RETURN

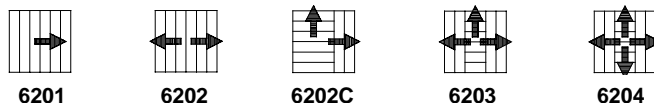


TYPICAL CROSS SECTION



FIRE BLANKET DETAIL

SUPPLY PATTERN OPTIONS



INLET SIZES AVAILABLE	NOMINAL PANEL 24 x 24 (610 x 610)
	6x6 (152x152)
	8x8 (203x203)
	10x10 (254x254)
	12x12 (305x305)
	14x14 (356x356)

- Series 6200F23 and 6290F23 feature a UL classified fire rated assembly that incorporates a 3 hour fire damper and 1/2" (13) thick ceramic fiber blanket.
- All steel construction
- Finish is 44 British White

DIMENSIONS ARE SHOWN AS INCHES (MM)