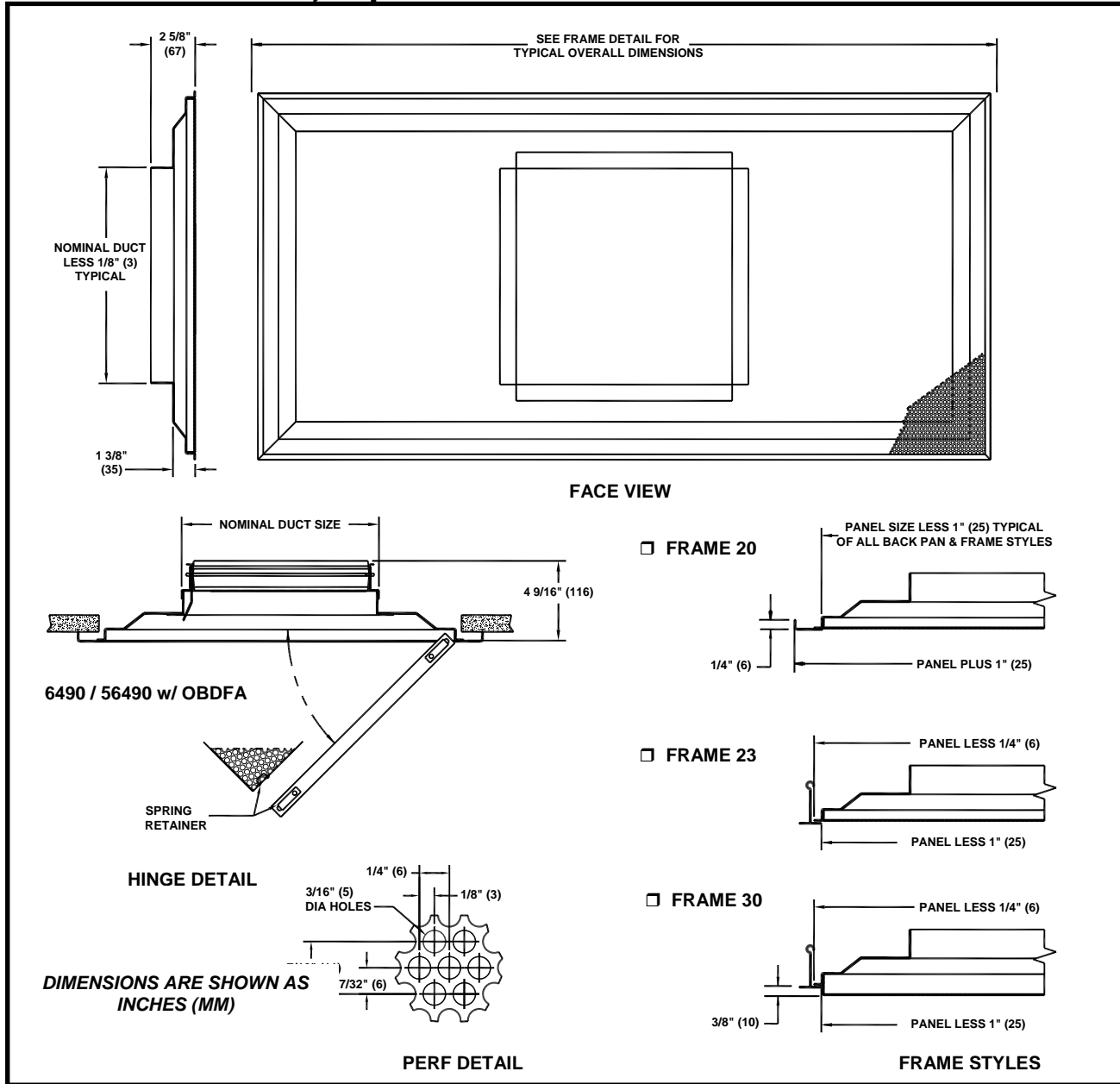


JOB NAME \_\_\_\_\_  
 ARCHITECT \_\_\_\_\_  
 ENGINEER \_\_\_\_\_  
 CONTRACTOR \_\_\_\_\_  
 LOCATION \_\_\_\_\_

**SUBMITTAL SHEET**  
 Form Number DS6021.2 Effective Date 9/10  
 Replaces Form DS6021.1



**6490 / 56490 SERIES**  
**Perforated Return, Square Neck**



		PANEL SIZES					
		12x12 (305x305)	16x16 (406x406)	20x20 (508x508)	24x24 (610x610)	24x12 (610x305)	48x24 (1219x610)
INLET SIZES AVAILABLE	SEE FORM DS6018 FOR ADDITIONAL SIZES AVAILABLE		6x6 (152x152)	6x6 (152x152)		6x6 (152x152)	6x6 (152x152)
			8x8 (203x203)	8x8 (203x203)			8x8 (203x203)
			10x10 (254x254)	10x10 (254x254)			10x10 (254x254)
			12x12 (305x305)	12x12 (305x305)			12x12 (305x305)
			14x14 (356x356)				14x14 (356x356)
				18X18 (457x457)			18X18 (457x457)
							22X10 (559x254)
							22X10 (559x254)
						46x22 (1186x559)	

**NOTE:** 1. 6490 CONSTRUCTION IS ALL STEEL, 56490 CONSTRUCTION IS STEEL WITH ALUMINUM PERF, 24X12 & 48X24 PANEL SIZES ONLY.  
 2. OBDFA STEEL LEVER OPERATED OPPOSED BLADE DAMPER IS OPTIONAL.  
 3. STANDARD FINISH IS BRITISH WHITE.