

JOB NAME _____
 ARCHITECT _____
 ENGINEER _____
 CONTRACTOR _____
 LOCATION _____

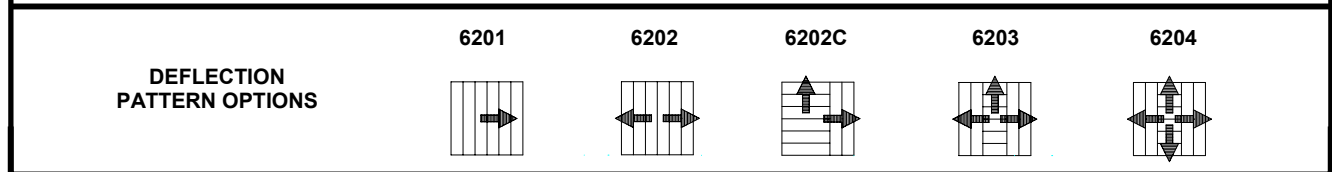
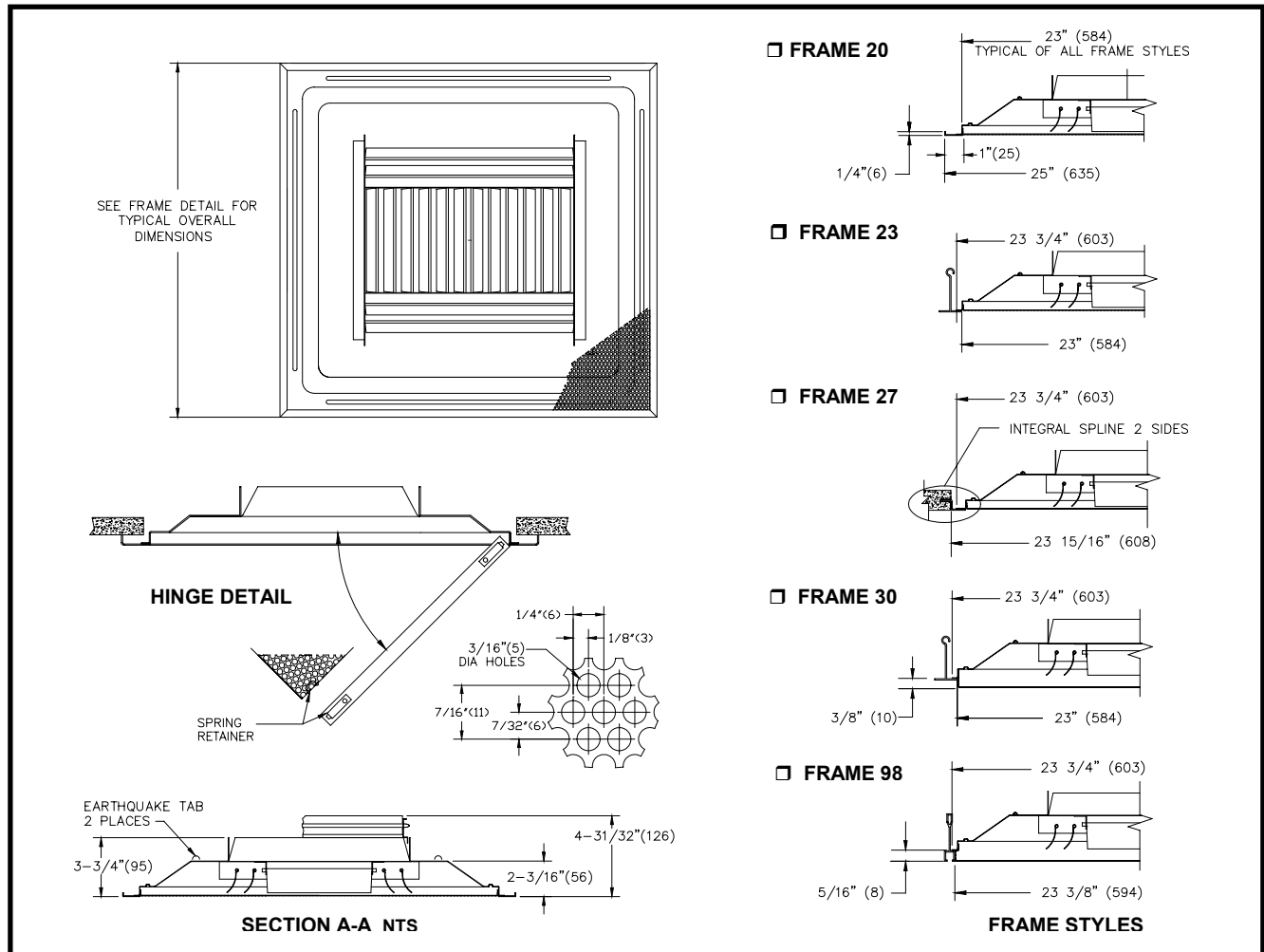
SUBMITTAL SHEET
 Form Number DS6003.3 Effective Date 08/03
 Replaces Form DS6003.2



6200 / 56200 SERIES

24"x24" PANEL

Perforated Diffuser, Square Neck & Adjustable Curved Blades



		PANEL SIZES					
		12x12 (305x305)	16x16 (406x406)	20x20 (508x508)	24x24 (610x610)	24x12 (610x305)	48x24 (1219x610)
INLET SIZES AVAILABLE					6x6 (152x152)		
					8x8 (203x203)		
					10x10 (254x254)		
					12x12 (305x305)		
					14x14 (356x356)		
		DIMENSIONS ARE IN GIVEN AS INCHES (MM)					

NOTE :

- 6200** CONSTRUCTION IS ALL STEEL.
- 56200** CONSTRUCTION IS STEEL WITH ALUMINUM PERF.
- STANDARD FINISH IS BRITISH WHITE