

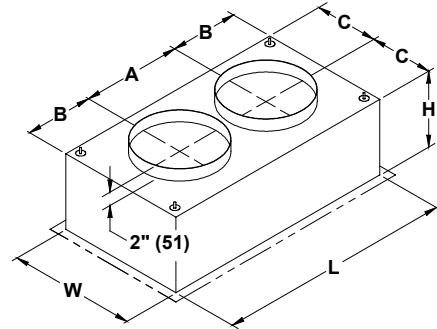
JOB NAME _____
 ARCHITECT _____
 ENGINEER _____
 CONTRACTOR _____
 LOCATION _____

SUBMITTALSHEET
 Form Number DSR1101 Effective Date 6/01
 NEW



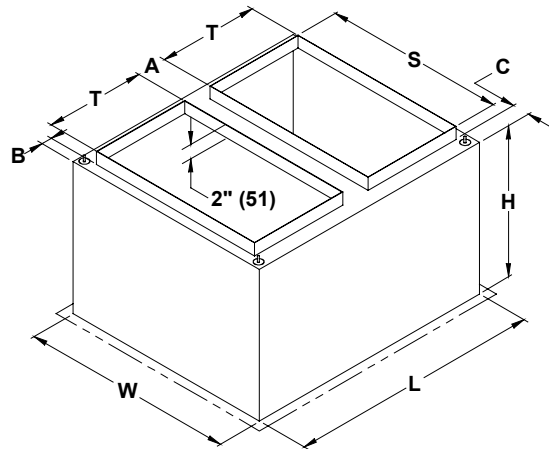
7000 SERIES PLENUM Combination Supply / Return Plenum

- 7000 PLENUM**
 24x48 – FIBER GLASS
 DUCT BOARD **
 ** w/ MOLDED FIBERGLASS
 INTERIOR TRANSITION
 &
 STANDARD HANGER SUPPORTS



SIZE	DUCT SIZE NOM. DIA.	L	W	H	A	B	C	NOMINAL CAPACITY TONS (KW)
2448	16(406)	45(1143)	21(533)	13 1/2(343)	22 1/2(572)	11 1/4(286)	10 1/2(522)	1-5 (17.5)
2448	18(457)	45(1143)	21(533)	13 1/2(343)	22 1/2(572)	11 1/4(286)	10 1/2(522)	1-5 (17.5)

- 7000 PLENUM**
 36x48 – 20 GA STEEL
 1" COATED INSULATION ***
 48x48 – 20 GA STEEL
 1" COATED INSULATION ***
 60x60 – 20 GA STEEL
 1" COATED INSULATION ***
 *** w/ INSULATED SHEET
 METAL INTERIOR TRANSITION
 &
 STANDARD HANGER SUPPORTS



SIZE	DUCT SIZE S x T	L	W	H	A	B	C	NOMINAL CAPACITY TONS (KW)
3648	28(711)x18(457)	45(1143)	33(838)	23 1/4(591)	4 1/2(114)	2 1/4(57)	2 1/2(64)	10 (35)
4848	36(914)x18(457)	45(1143)	45(1143)	29 1/4(743)	4 1/2(114)	2 1/4(57)	4 1/2(114)	15 (25.5)
6060	48(1219)x24(610)	57(1448)	57(1448)	35 1/4(895)	4 1/2(114)	2 1/4(57)	4 1/2(114)	20 (70)
6060	54(1372)x24(610)	57(1448)	57(1448)	35 1/4(895)	4 1/2(114)	2 1/4(57)	4 1/2(114)	20 (70)

DIMENSIONS ARE SHOWN AS
 INCHES (MM)

NOTE: PLENUMS ARE DESIGNED FOR USE WITH KRUEGER 7000 SERIES.
 SEE FORM DSR1100 FOR ADDITIONAL DETAILS.

