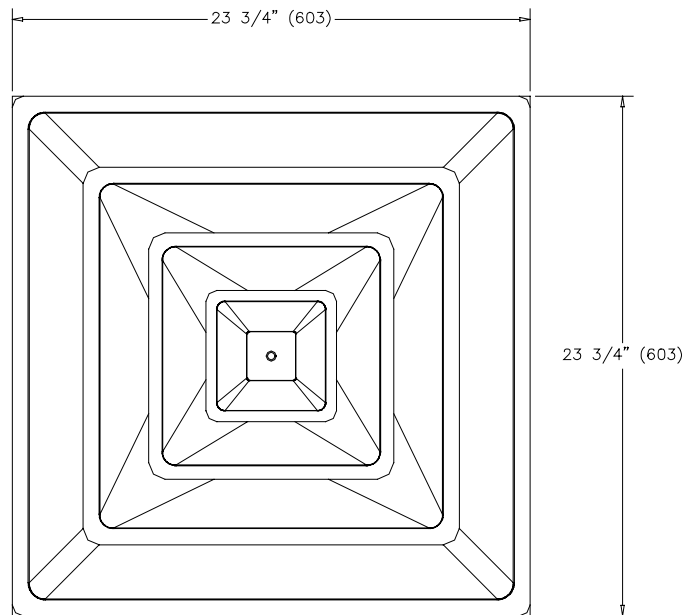


JOB NAME _____
 ARCHITECT _____
 ENGINEER _____
 CONTRACTOR _____
 LOCATION _____

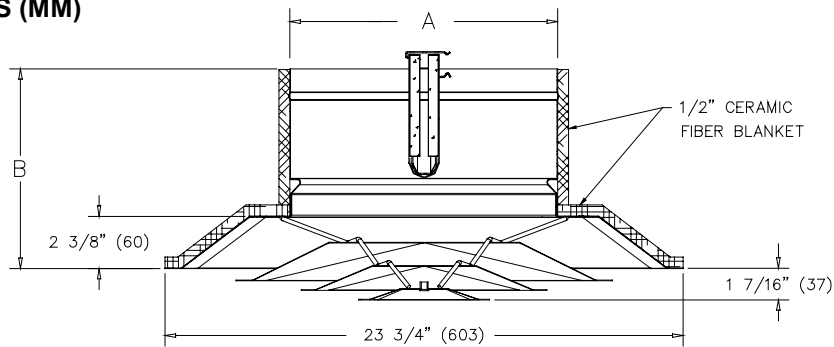
SUBMITTAL SHEET
 Form Number DS1406.3 Effective Date 1/01
 replaces DS1406.2



**SERIES 1400FR - 'UL' FIRE RATED
 SQUARE FACE - ROUND NECK DIFFUSERS**



**DIMENSIONS ARE GIVEN AS
 INCHES (MM)**



NOMINAL NECK SIZE	A	B
6	5 7/8" (149)	10 1/16" (256)
8	7 7/8" (200)	9 15/16" (252)
10	9 7/8" (251)	10 7/16" (265)
12	11 7/8" (302)	12 7/16" (316)
14	13 7/8" (352)	12 7/16" (316)
15	14 7/8" (378)	15 7/16" (392)

NOTES :

- Unit is for a lay-in type ceiling.
- 1400FR** series is steel construction.
- All models come with two earthquake tabs.
- Standard finish is 44 white

ACCESSORIES :

- Standard **1400FR** is a UL classified assembly that incorporates a three hour rated fire damper and a 1/2" thick ceramic fire blanket.

Product Information is Subject to Change Without Notice