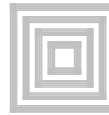


JOB NAME \_\_\_\_\_  
 ARCHITECT \_\_\_\_\_  
 ENGINEER \_\_\_\_\_  
 CONTRACTOR \_\_\_\_\_  
 LOCATION \_\_\_\_\_

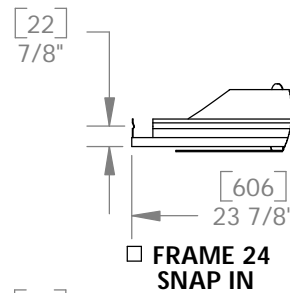
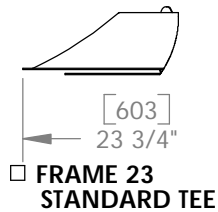
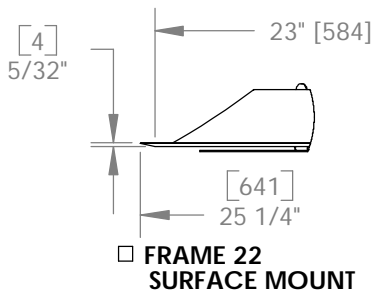
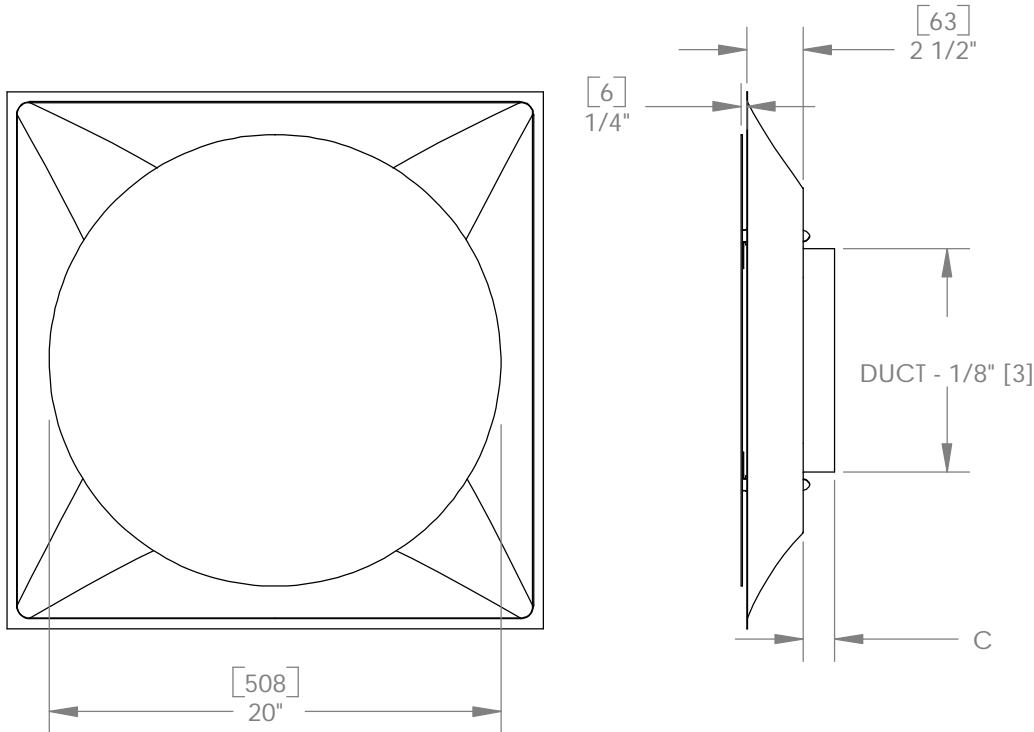
**SUBMITTAL SHEET**

Form Number DS3404.1 Effective Date 07/03  
 Replaces DS3404



**KRUEGER**  
 Excellence in Air Distribution

**PLQ-R Architectural Ceiling Diffuser**  
**24 X 24 PANEL, ROUND NECK**



- NOTES:**  
 1. 22 GA. STEEL W/ 16 GA PLAQUE  
 2. STANDARD FINISH IS #44 WHITE  
 3. SEE FORM 3304 FOR BLANK OFF

		NOMINAL DUCT SIZES					
		6	8	10	12	14	15
		[152]	[203]	[254]	[305]	[356]	[381]
		1 1/8"	1 1/4"	1 3/8"	1 3/8"	1 3/8"	1 3/8"
C		[29]	[32]	[35]	[35]	[35]	[35]

