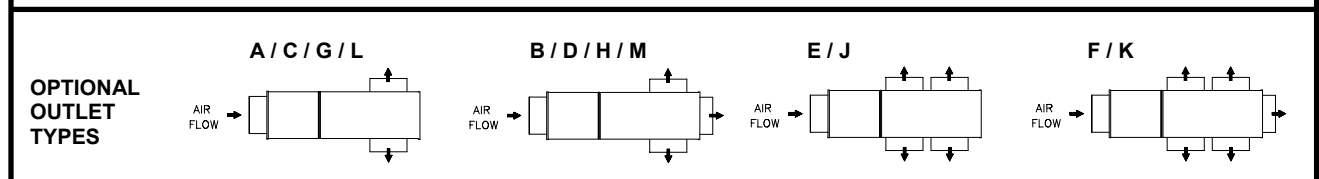
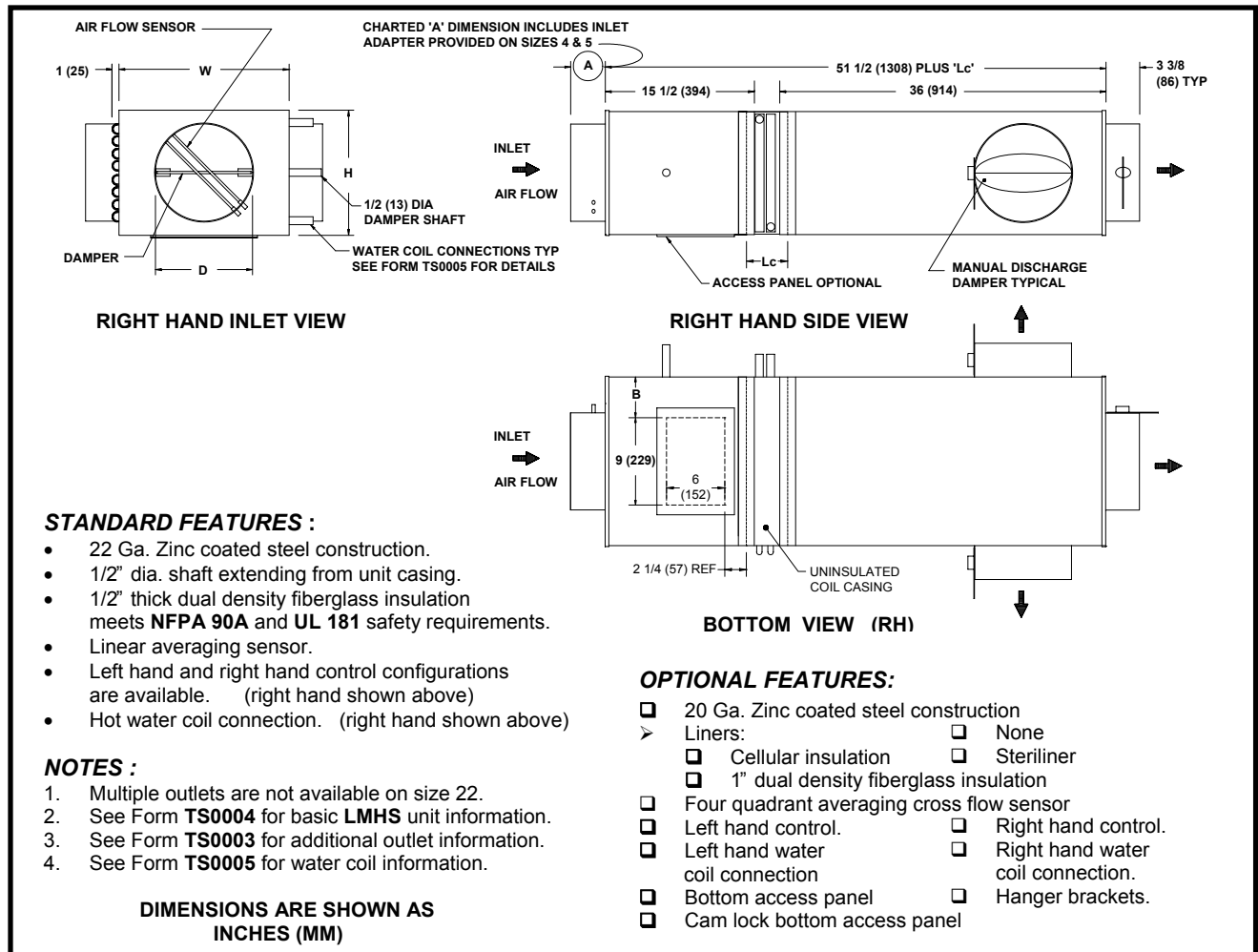


JOB NAME _____
 ARCHITECT _____
 ENGINEER _____
 CONTRACTOR _____
 LOCATION _____

SUBMITTAL SHEET
 Form Number TS0022.1 Effective Date 7/04
 Replaces Form TS0022



LMHS
MULTI-OUTLET UNIT WITH HOT WATER HEAT - NO CONTROLS



LMHS MULTI-OUTLET UNIT WITH HOT WATER HEAT								
INLET SIZE	NOM MAX CFM (L/s)	W	H	A	B	D	Lc	OUTLET TYPES
4	230 (109)	12 (305)	8 (203)	5 3/8 (136)	1 1/2 (38)	3 7/8 (98)	SEE FORM TS0005	A / B
5	360 (170)	12 (305)	8 (203)	5 3/8 (136)	1 1/2 (38)	4 7/8 (124)		A / B
6	520 (245)	12 (305)	8 (203)	3 3/8 (86)	1 1/2 (38)	5 7/8 (149)		A / B
7	710 (335)	12 (305)	10 (254)	3 3/8 (86)	1 1/2 (38)	6 7/8 (175)		C / D / E
8	925 (437)	12 (305)	10 (254)	3 3/8 (86)	1 1/2 (38)	7 7/8 (200)		C / D / E / F
9	1200 (566)	14 (356)	12 1/2 (318)	3 3/8 (86)	2 1/2 (64)	8 7/8 (225)		D / E / G / H / J
10	1450 (685)	14 (356)	12 1/2 (318)	3 3/8 (86)	2 1/2 (64)	9 7/8 (251)		D / E / G / H / J
12	2100 (991)	16 (406)	15 (381)	3 3/8 (86)	3 1/2 (89)	11 7/8 (302)		H / J / K / L / M
14	2900 (2900)	20 (508)	17 1/2 (445)	3 3/8 (86)	5 1/2 (140)	13 7/8 (352)		H / J / K / L / M
16	3700 (1746)	24 (610)	18 (457)	3 3/8 (86)	7 1/2 (191)	15 7/8 (403)		H / J / K / L / M