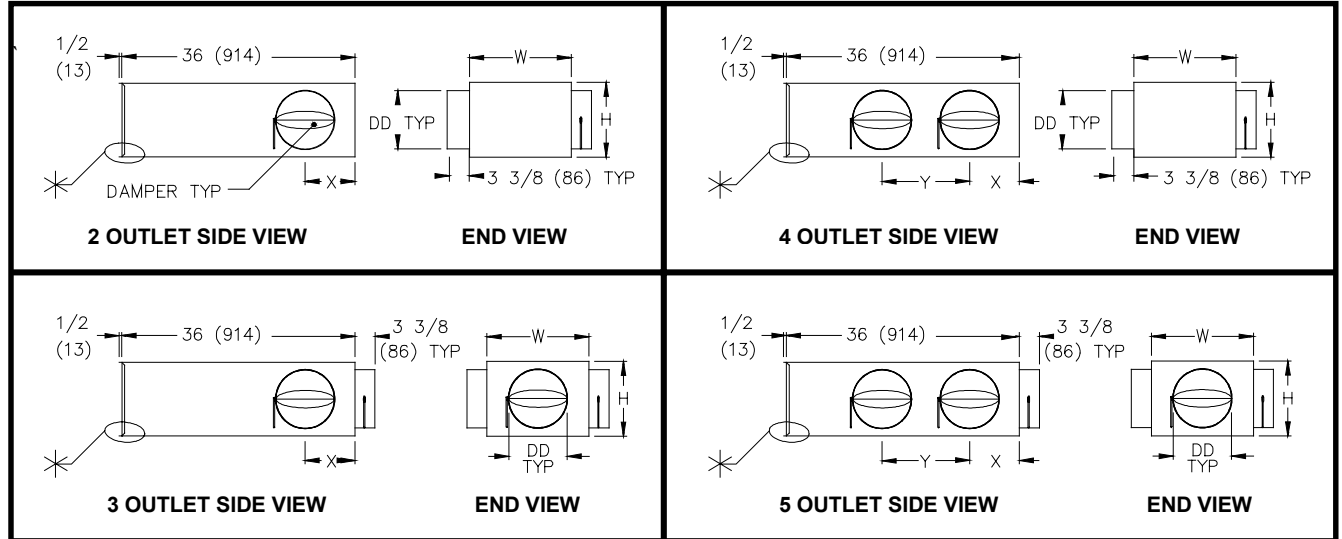


JOB NAME _____
 ARCHITECT _____
 ENGINEER _____
 CONTRACTOR _____
 LOCATION _____

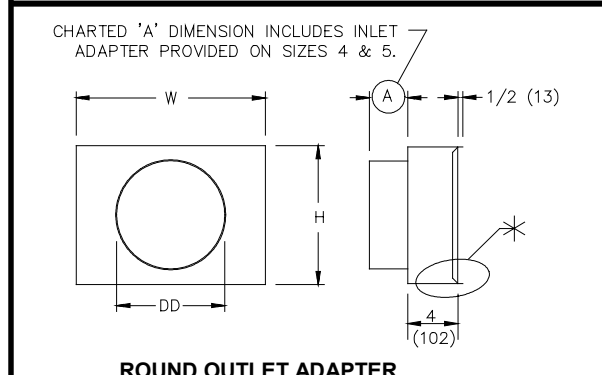
SUBMITTAL SHEET
 Form Number TS0003.6 Effective Date 7/03
 Replaces FORM TS0003.5



LMHS
Multi-Outlet Attenuator and Single Round Outlet



OUTLET TYPE	OUTLET QUANTITY	DD OUTLET SIZE	LMHS UNIT SIZES	X	Y
A	2	5 7/8" (149)	4 / 5 / 6	4 3/8" (111)	-
B	3		4 / 5 / 6		-
C	2	7 7/8" (200)	7 / 8	5 3/8" (137)	-
D	3		7 / 8 / 9 / 10		-
E	4		7 / 8 / 9 / 10		12" (305)
F	5		8		12" (305)
G	2	9 7/8" (251)	9 / 10	6 3/8" (162)	-
H	3		9 / 10 / 12 / 14 / 16		-
J	4		9 / 10 / 12 / 14 / 16		14" (356)
K	5		12 / 14 / 16		14" (356)
L	2	11 7/8" (302)	12 / 14 / 16	6 3/8" (162)	14" (356)
M	3		12 / 14 / 16		14" (356)



ROUND OUTLET				
UNIT SIZE	W	H	A	DD
4	12" (305)	8" (203)	5 3/8" (136)	3 7/8" (98)
5	12" (305)	8" (203)	5 3/8" (136)	4 7/8" (124)
6	12" (305)	8" (203)	3 3/8" (86)	5 7/8" (149)
7	12" (305)	10" (254)	3 3/8" (86)	6 7/8" (175)
8	12" (305)	10" (254)	3 3/8" (86)	7 7/8" (200)
9	14" (356)	12 1/2" (318)	3 3/8" (86)	8 7/8" (225)
10	14" (356)	12 1/2" (318)	3 3/8" (86)	9 7/8" (251)
12	16" (406)	15" (381)	3 3/8" (86)	11 7/8" (302)
14	20" (508)	17 1/2" (445)	3 3/8" (86)	13 7/8" (352)
16	24" (610)	18" (457)	3 3/8" (86)	15 3/8" (403)

- NOTE :**
- See Form **TS0000** for basic LMHS unit information
 - See Form **TS0002** for additional features.

* DENOTES SLIP & DRIVE CONNECTION
 DIMENSIONS ARE GIVEN AS : INCHES (MM)