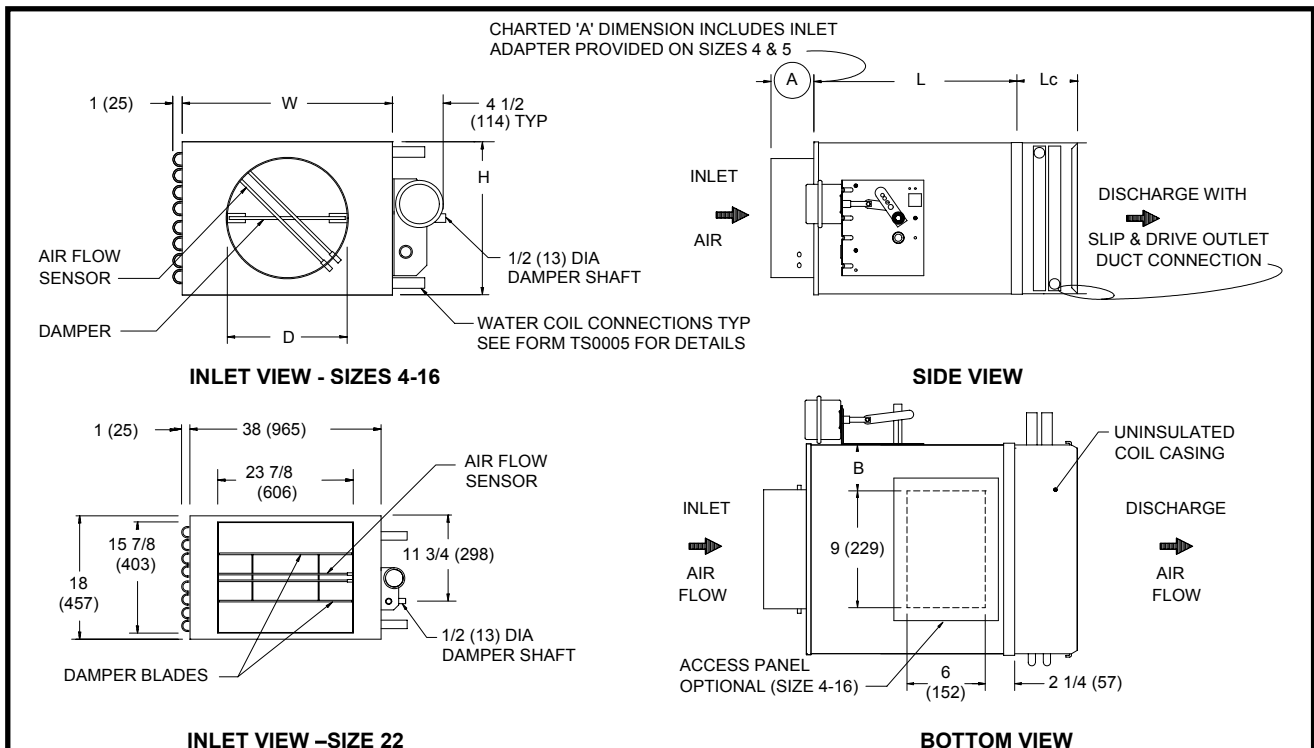


JOB NAME _____
 ARCHITECT _____
 ENGINEER _____
 CONTRACTOR _____
 LOCATION _____

SUBMITTAL SHEET
 Form Number TS0000-PA.2 Effective Date 7/04
 Replaces Form TS0000-PA.1



LMHS
BASIC UNIT - PNEUMATIC - ACTUATOR ONLY CONTROL



STANDARD FEATURES:

- 22 Ga. Zinc coated steel construction.
- 1/2" thick dual density fiberglass insulation meeting **NFPA 90A** and **UL 181** safety requirements.
- Linear averaging sensor.
- Pneumatic pressure dependent controls
- 5-10 psig actuator.
- ARI certified sound ratings

NOTE: Right hand configuration shown, left hand available.

OPTIONAL FEATURES:

- 20 Ga. Zinc coated steel construction
- > Liners:
 - Cellular insulation
 - Sterilwall
 - 1" dual density fiberglass insulation
- None
- Steriliner
- Perf double wall
- Four quadrant averaging cross flow sensor
- Right hand control.
- Left hand control.
- Direct acting thermostat with normally closed damper
- Reverse acting thermostat with normally open damper.
- Hanger brackets
- Bottom access panel (not available in size 22)
- Cam lock bottom access panel (not available in size 22)

DIMENSIONS ARE GIVEN AS INCHES (MM)

INLET SIZE	NOM MAX CFM (L/s)	L	W	H	A	B	D
4	230 (109)	15 1/2 (394)	12 (305)	8 (203)	5 3/8 (136)	1 1/2 (38)	3 7/8 (98)
5	360 (170)	15 1/2 (394)	12 (305)	8 (203)	5 3/8 (136)	1 1/2 (38)	4 7/8 (124)
6	520 (245)	15 1/2 (394)	12 (305)	8 (203)	3 3/8 (86)	1 1/2 (38)	5 7/8 (149)
7	710 (335)	15 1/2 (394)	12 (305)	10 (254)	3 3/8 (86)	1 1/2 (38)	6 7/8 (175)
8	925 (437)	15 1/2 (394)	12 (305)	10 (254)	3 3/8 (86)	1 1/2 (38)	7 7/8 (200)
9	1200 (566)	15 1/2 (394)	14 (356)	12 1/2 (318)	3 3/8 (86)	2 1/2 (64)	8 7/8 (225)
10	1450 (685)	15 1/2 (394)	14 (356)	12 1/2 (318)	3 3/8 (86)	2 1/2 (64)	9 7/8 (251)
12	2100 (991)	15 1/2 (394)	16 (406)	15 (381)	3 3/8 (86)	3 1/2 (89)	11 7/8 (302)
14	2900 (1369)	15 1/2 (394)	20 (508)	17 1/2 (445)	3 3/8 (86)	5 1/2 (140)	13 7/8 (352)
16	3700 (1746)	15 1/2 (394)	24 (610)	18 (457)	3 3/8 (86)	7 1/2 (191)	15 7/8 (403)
22	7100 (3351)	15 (381)	38 (965)	18 (457)	4 1/4 (108)	NA	SEE ABOVE