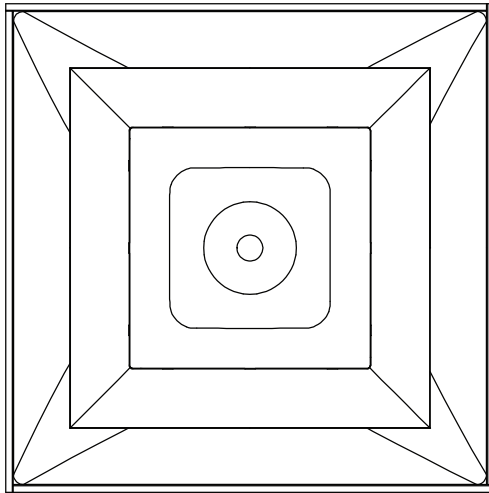


14SCA/514SCA SERIES

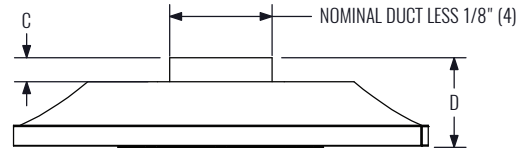
Diffuser | Louvered Face, Adjustable



DIMENSIONAL DATA



FACE VIEW

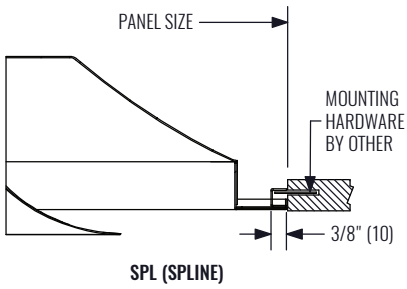
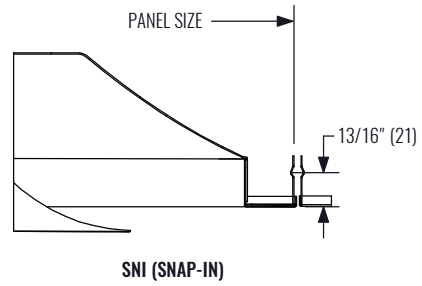
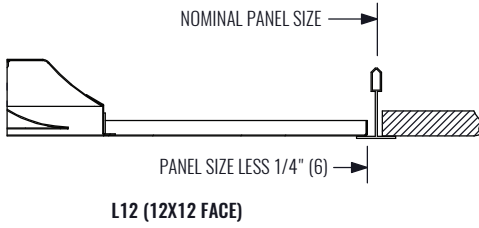
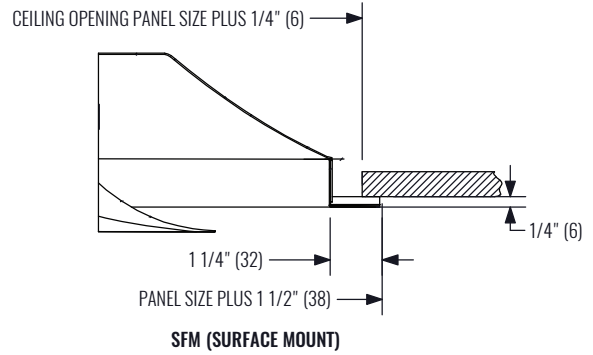
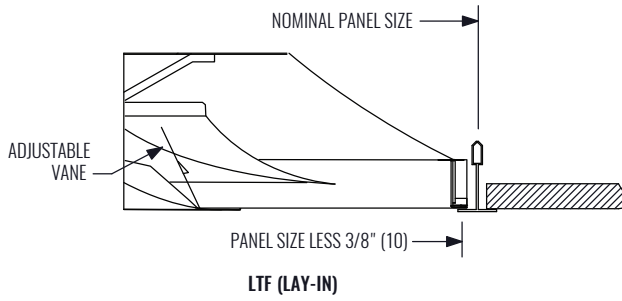


SIDE VIEW

PANEL SIZE	FRAME STYLE	NOMINAL DUCT	C	D
12"x12"	SFM	4", 5"	3 1/8" (80)	5 3/8" (137)
	LTF	6", 7"	1 1/8" (29)	3 3/8" (86)
	SNI	8"	1 1/4" (32)	3 1/2" (89)
	SPL			
20"x20"	SFM	4", 5"	2 3/4" (70)	6 3/8" (162)
	LTF	6", 8", 10"	3/4" (19)	4 3/8" (111)
24"x24"	SFM	6", 8"	1 1/4" (32)	5" (127)
	LTF			
	SPL SNI	10", 12", 14", 15"	1 3/8" (35)	5 1/8" (130)
24"x24" (12"x12" FACE)	L12	4", 5"	3 1/8" (80)	5 3/8" (137)
		6", 7"	1 1/8" (29)	3 3/8" (86)
		8"	1 1/4" (32)	3 1/2" (89)
300x300mm	LTF	4", 5"	3 1/8" (80)	5 3/8" (137)
		6", 7"	1 1/8" (29)	3 3/8" (86)
		8"	1 1/4" (32)	3 1/2" (89)
600x600mm	LTF	6"	1 1/8" (29)	5" (127)
		8"	1 1/4" (32)	5" (127)
		10", 12", 14", 15"	1 3/8" (35)	5 1/8" (130)

NOTES: Dimensions in parentheses are millimeters.
* Adapter frame provided for neck sizes 4" and 5".

DIMENSIONAL DATA



NOTE: Dimensions in parentheses are millimeters.