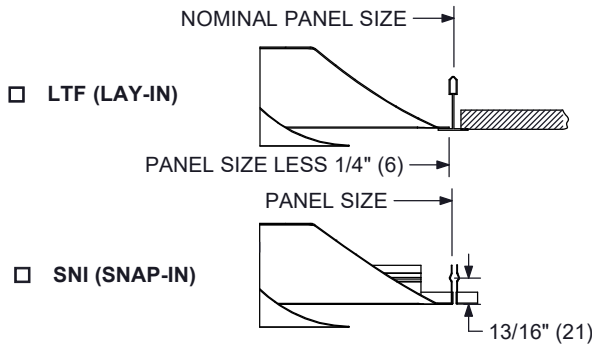
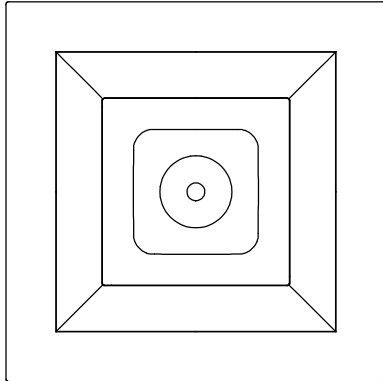


LTF, 24x24 FACE VIEW



PANEL SIZE	FRAME STYLE	NOMINAL DUCT	C	D	E
12X12	SFM	4*, 5*	3 1/8 (80)	5 3/8 (137)	1 1/8 (29)
	LTF	6, 7	1 1/8 (29)	3 3/8 (86)	
	SNI	8	1 1/4 (32)	3 1/2 (89)	
20X20	SFM	4*, 5*	2 3/4 (70)	6 3/8 (162)	1 1/4 (32)
	LTF	6, 8, 10	3/4 (19)	4 3/8 (111)	
24X24	SFM	6, 8	1 1/4 (32)	3 3/4 (96)	1 1/4 (32)
		10, 12, 14, 15	1 3/8 (35)	3 7/8 (99)	
	SNI	6, 8	1 1/4 (32)	5 (127)	1 3/8 (35)
		10, 12, 14, 15	1 3/8 (35)	5 1/8 (130)	
	LTF	6, 8	1 1/4 (32)	5 (127)	1 1/4 (32)
		SPL	10, 12, 14, 15	1 3/8 (35)	
300mmX300mm	LTF	4*, 5*	3 1/8 (80)	5 3/8 (137)	1 1/8 (29)
		6, 7	1 1/8 (29)	3 3/8 (86)	
		8	1 1/4 (32)	3 1/2 (89)	
600mmX600mm	LTF	6	1 1/8 (29)	5 (127)	1 1/4 (32)
		8	1 1/4 (32)	5 (127)	
		10, 12, 14, 15	1 3/8 (35)	5 1/8 (130)	
24X24 (12X12 FACE)	L12	4*, 5*	2 3/4 (70)	5 (127)	1 1/8 (29)
		6, 7	3/4 (19)	3 (76)	
		8			

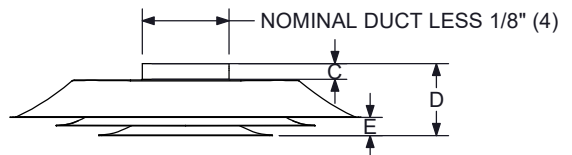
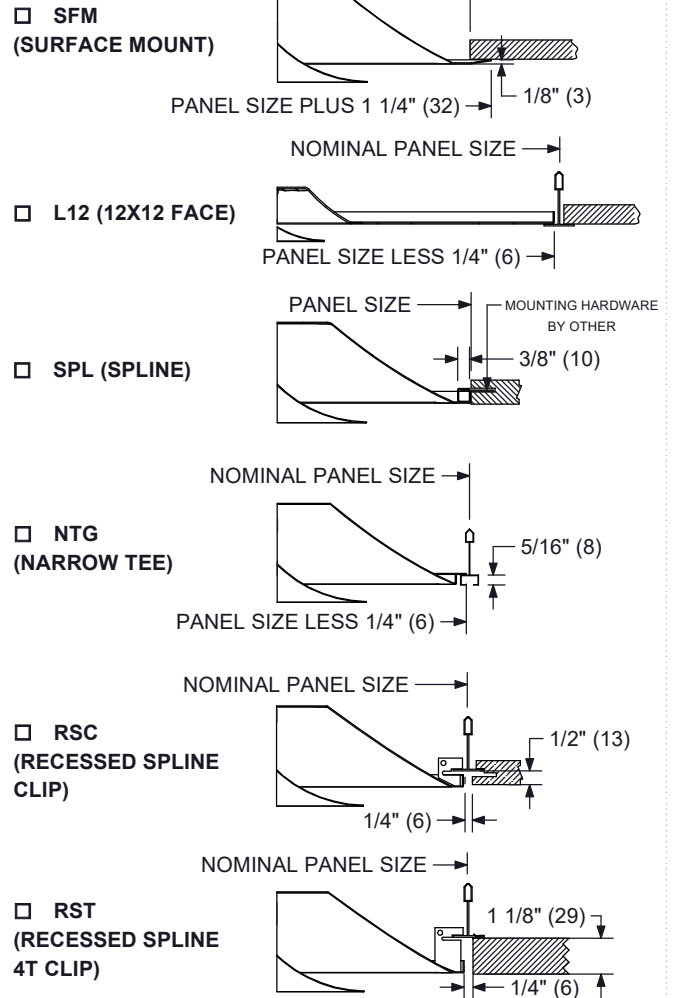
*ADAPTOR PROVIDED FOR DUCT SIZES 4" AND 5".

NOTES:

- 14SC IS STEEL AND 514SC IS ALUMINUM CONSTRUCTION
- 514SC ONLY AVAILABLE IN FRAMES SFM, LTF, AND NTG.
- 514SC NOT AVAILABLE IN PANEL SIZE 300MMX300MM.
- R6 INSULATION ONLY AVAILABLE WITH FRAME LTF OR SFM, PANEL SIZE 24"X24" AND NECK SIZES 6", 8", 10", 12", 14", 15".
- STANDARD FINISH IS WHT- BRITISH WHITE. OPTIONAL FINISHES AVAILABLE.

DIMENSIONS ARE GIVEN AS INCHES (MM)

CEILING OPENING
 PANEL SIZE LESS 1" (26)



ACCESSORIES: ACCESSORIES MAY SHIP SEPARATELY

- RRN - RADIAL NECK MOUNTED DAMPER (PRN100)
- RRD - RADIAL DUCT MOUNTED DAMPER (PRD100)
- RBN - BUTTERFLY DAMPER NECK MOUNTED (RP12)
- RON - RADIAL OPPOSED BLADE NECK MOUNTED DAMPER (PR10)
- ROD - RADIAL OPPOSED BLADE DUCT MOUNTED DAMPER (PRD10)
- R6 - MOLDED R6 INSULATION
- EQ - EARTHQUAKE TABS
- EG - EQUALIZING GRID (RSG15)
- SFR - STEEL HARD CEILING FRAME (HCF23)
- AFR - ALUMINUM HARD CEILING FRAME (5HCF23)
- 30F - 30X30 ADAPTOR FRAME