

MODEL

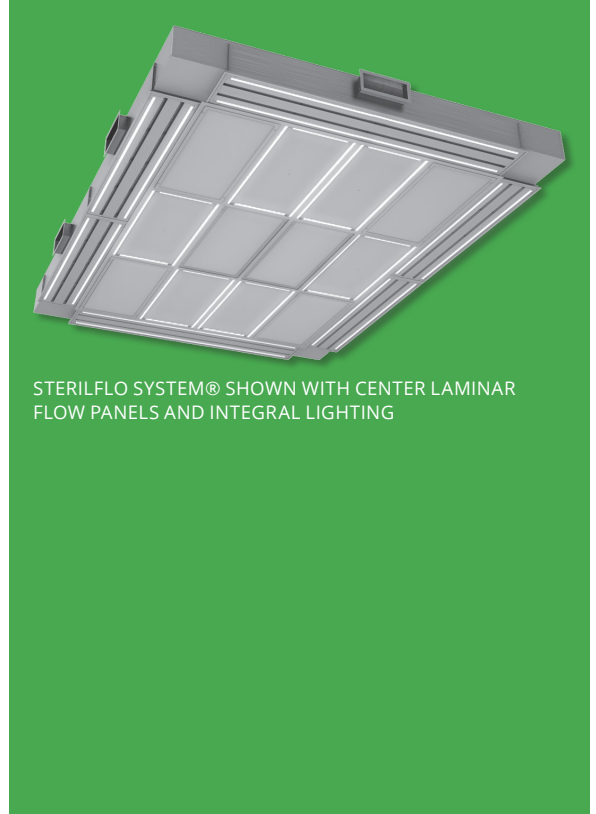
- Sterilflo System® - Custom operating room particulate control system, stainless steel construction

STERILFLO SYSTEM® FEATURES

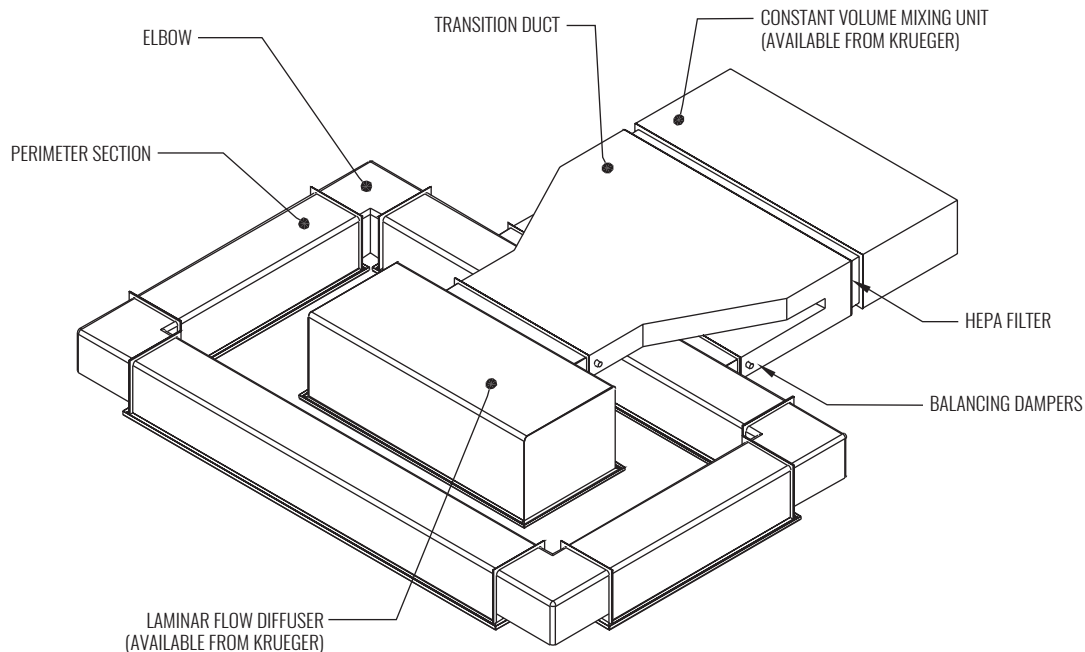
- 100% type 304 stainless steel
- Radius corners
- Custom layouts; design specific drawings
- Tested during actual surgical procedures
- Superior air temperature and velocity control at the patient
- 1/4 turn fasteners for cleaning
- Class 1 Microbiologic Clean Air certification
- Complies with ASHRAE Standard 170
- Factory certifications (optional)
- High output LED lights (optional)

SYSTEM SIZES

- Width and height are custom for your operating room



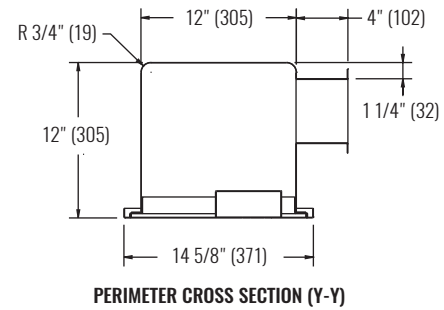
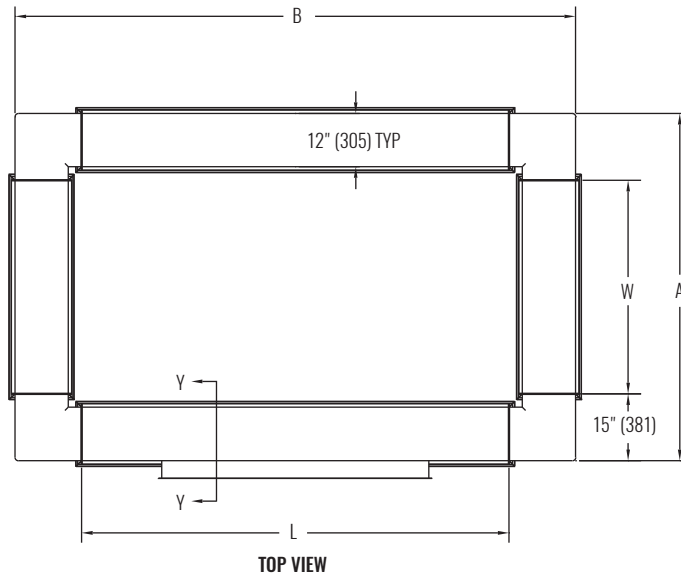
CRITICAL ENVIRONMENT

INSTALLATION VIEW


STERILFLO



DIMENSIONAL AND PERFORMANCE DATA



MODEL	PERFORMANCE			DIMENSIONS			
NUMBER	MIN CFM	MAX CFM	MID-RANGE CFM	W	L	A	B
48	900	1620	1300	4' 0"	8' 0"	6' 6"	10' 6"
58	980	1760	1400	5' 0"	8' 0"	7' 6"	10' 6"
410	1050	1890	1500	4' 0"	10' 0"	6' 6"	12' 6"
68	1050	1890	1500	6' 0"	8' 0"	8' 6"	10' 6"
510	1130	2030	1600	5' 0"	10' 0"	7' 6"	12' 6"
412	1200	2160	1700	4' 0"	12' 0"	6' 6"	14' 6"
610	1200	2160	1700	6' 0"	10' 0"	8' 6"	12' 6"
88	1200	2160	1700	8' 0"	8' 0"	10' 6"	10' 6"
512	1280	2300	1800	5' 0"	12' 0"	7' 6"	14' 6"
612	1350	2430	1900	6' 0"	12' 0"	8' 6"	14' 6"
810	1350	2430	1900	8' 0"	10' 0"	10' 6"	12' 6"
812	1500	2700	2100	8' 0"	12' 0"	10' 6"	14' 6"
1010	1500	2700	2100	10' 0"	10' 0"	12' 6"	12' 6"
814	1660	2980	2300	8' 0"	14' 0"	10' 6"	16' 6"
1212	1800	3240	2500	12' 0"	12' 0"	14' 6"	14' 6"
1214	1950	3500	2700	12' 0"	14' 0"	14' 6"	16' 6"

STATIC PRESSURE REQUIREMENTS		NOISE CRITERIA	
PERIMETER CFM PER LINEAR FOOT OF PLENUM	PERIMETER STATIC PRESSURE "WG	CFM PER LINEAR FOOT OF PLENUM	NC
20	0.016	20	12
25	0.024	25	18
30	0.034	30	23
35	0.046	35	28
40	0.060	43	32
45	0.075	45	35
50	0.092	50	39

NOTES: Information shown is abbreviated. See Krueger website for complete information. Dimensions in parentheses are millimeters (mm). Static Pressure Requirements: Add pressure drop for HEPA filter if required. Static pressure based on inlet velocities not exceeding 500 FPM. Noise Criteria: NC values are based on sound power levels minus a room absorption of 10dB, re 10⁻¹² Watts. Table is based on model 48 with 24 ft linear perimeter. For each additional 4 ft, add 1 NC. Table is based on perimeter panel only. In a properly designed system, the center panels will not add to total room NC.