

When it has to be
ARCHITECTURAL,
it has to be Krueger.

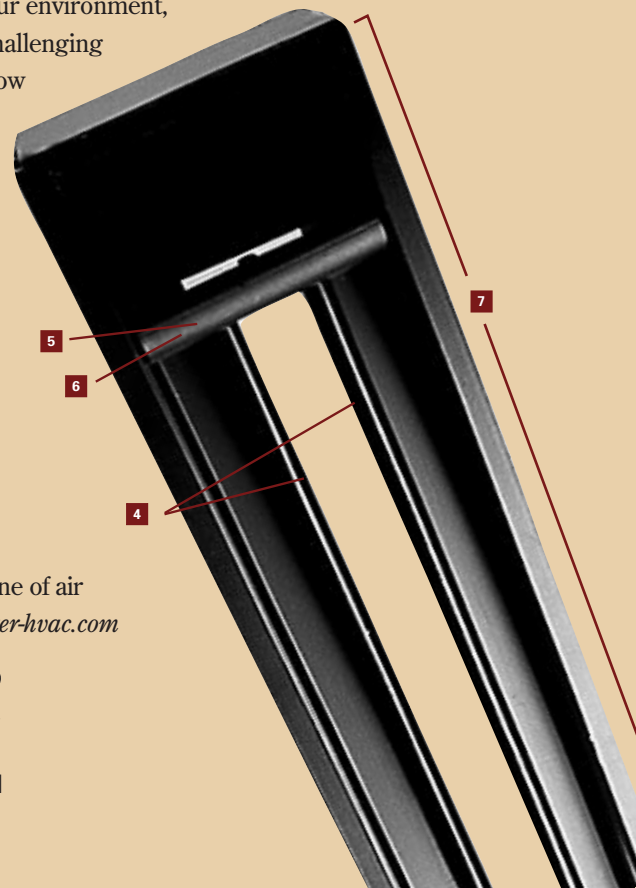
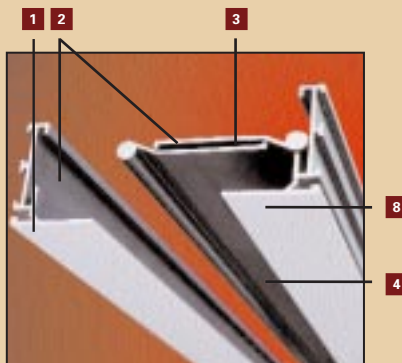
Krueger's DesignFlo™ delivers *precision and performance* with a new twist to architectural design.

- 1** Heavy wall extruded frames for straight, accurate installations
- 2** Standard black interior creates an architectural reveal
- 3** Specially paired and shaped pattern controllers allow direction and volume adjustment (horizontal throw shown)
- 4** Removable, interchangeable pattern controllers meets changing zone requirements (vertical throw shown)
- 5** Color impregnated pattern control bridges reduce exposed unfinished edges
- 6** Aerodynamic bridges on 24" centers for total flexibility and curving
- 7** Single sections "up to 12 feet" mean fewer joints for a seamless appearance
- 8** A wide variety of frame styles to accommodate any architectural requirement

In the dynamic world of commercial building, the new DesignFlo™ air distribution system from Krueger is the high performance leader.

This revolutionary air distribution system can be curved, mitered or cut to function with virtually any modern ceiling and integrate with any architectural interior.

DesignFlo™ is a super-quiet system designed to insure high capacity air distribution that offers unprecedented control over your environment, meeting the requirements of your most challenging design. With simultaneous control of airflow pattern and volume, this is aerodynamic performance at its best.



To learn more about Krueger's complete line of air distribution solutions, visit us at www.krueger-hvac.com



1401 N. Plano Rd., Richardson, TX 75081
Phone (972) 680-9136
www.krueger-hvac.com