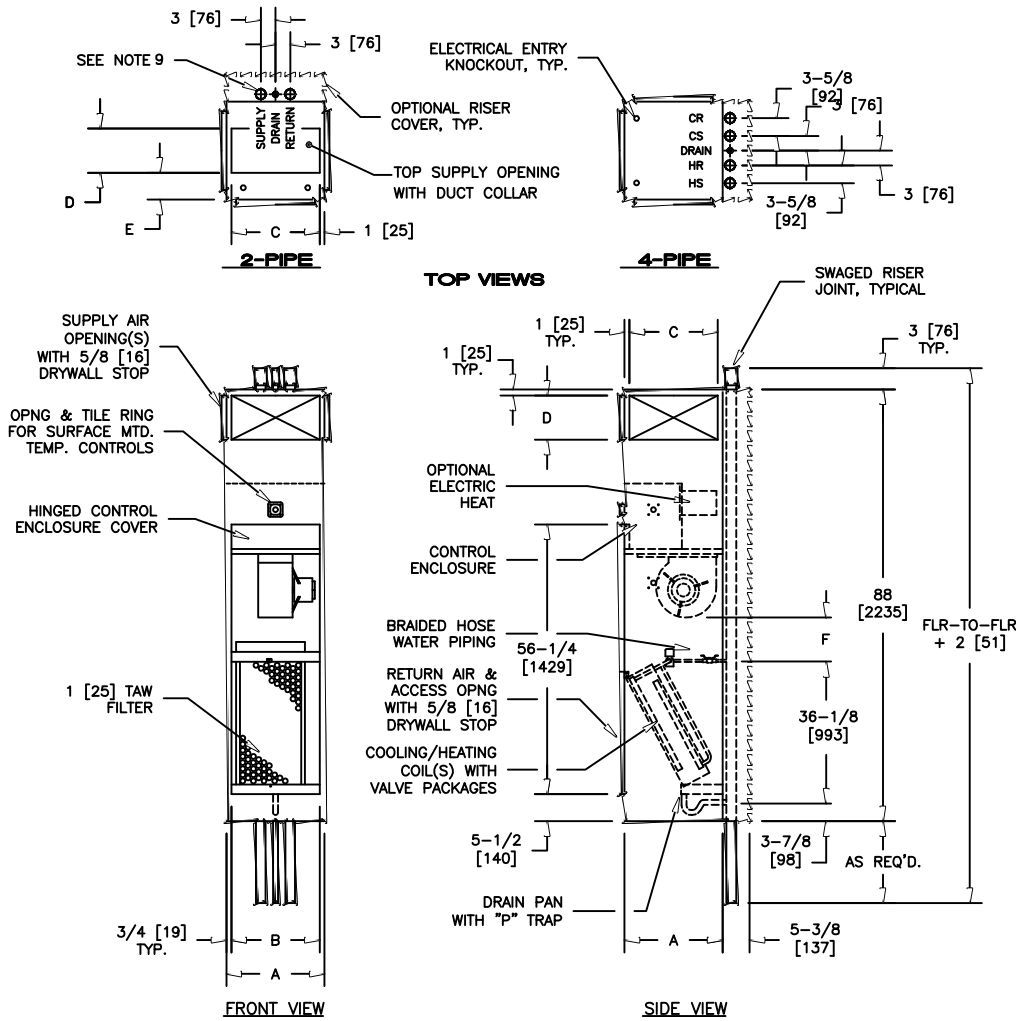


KVPH - VERTICAL STACK FAN COIL
 MODEL KVPH, SIZE: 03-12 VERTICAL CONCEALED HIGH RISE
 FCU 88" CABINET WITH RISERS

SUBMITTAL SHEET


DIMENSIONS - IN [MM]						
UNIT SIZE	A	B	SINGLE/DOUBLE		E	F
			C	D		
03 & 04	18 [457]	16-1/2 [419]	16 [406]	8 [203]	6 [152]	6.81 [173]
06 & 08	20 [508]	18-1/2 [470]	18 [457]	12 [305]	6 [152]	6.47 [164]
10 & 12	24 [610]	22-1/2 [572]	22 [559]	14 [356]	8 [203]	4.9 [124]

- NOTES:
1. ALL DIMENSIONS ARE INCHES [MM], METRIC VALUES ARE OFT CONVERSION.
 2. ALL DIMENSIONS ARE ±1/4 [6MM].
 3. TILE RING INSTALLED ON FRONT OF UNIT (SHOWN) MAY MOVE TO LEFT OR RIGHT SIDE OF UNIT IN FIELD.
 4. TILE RING OMITTED ON UNITS WITH "ADA" CONTROL MOUNTING LOCATION.
 5. WIRING ELECTRICAL ENTRY POINT TO CONTROL ENCLOSURE IS FURNISHED/INSTALLED BY OTHERS IN FIELD.
 6. RISERS AVAILABLE FROM 3/4" [19MM] TO 3" [76MM] DIAMETER WITH 1/2" [13MM] THICK INSULATION
 7. RISERS ALSO AVAILABLE 3/4" [19MM] TO 2-1/2" [64MM] DIAMETER WITH 3/4" [19MM] THICK INSULATIONS.
 8. RISER LENGTH IS 120" [3048MM] MAX, 100" [2540MM] MIN.
 9. BACK RISER LOCATION SHOWN. SEE ARRANGEMENT DRAWINGS FOR AVAILABLE UNIT CONFIGURATIONS.
 10. FACTORY MOUNTED RISERS SHOWN. SEE DRAWING "FCS05-KVPE_KVPP_KVPS_01" FOR SHIPPED LOOSE RISER DETAILS.

Revision Date: 04/15	Form: FCS05-KVPH03	Replaces: NEW
----------------------	--------------------	---------------