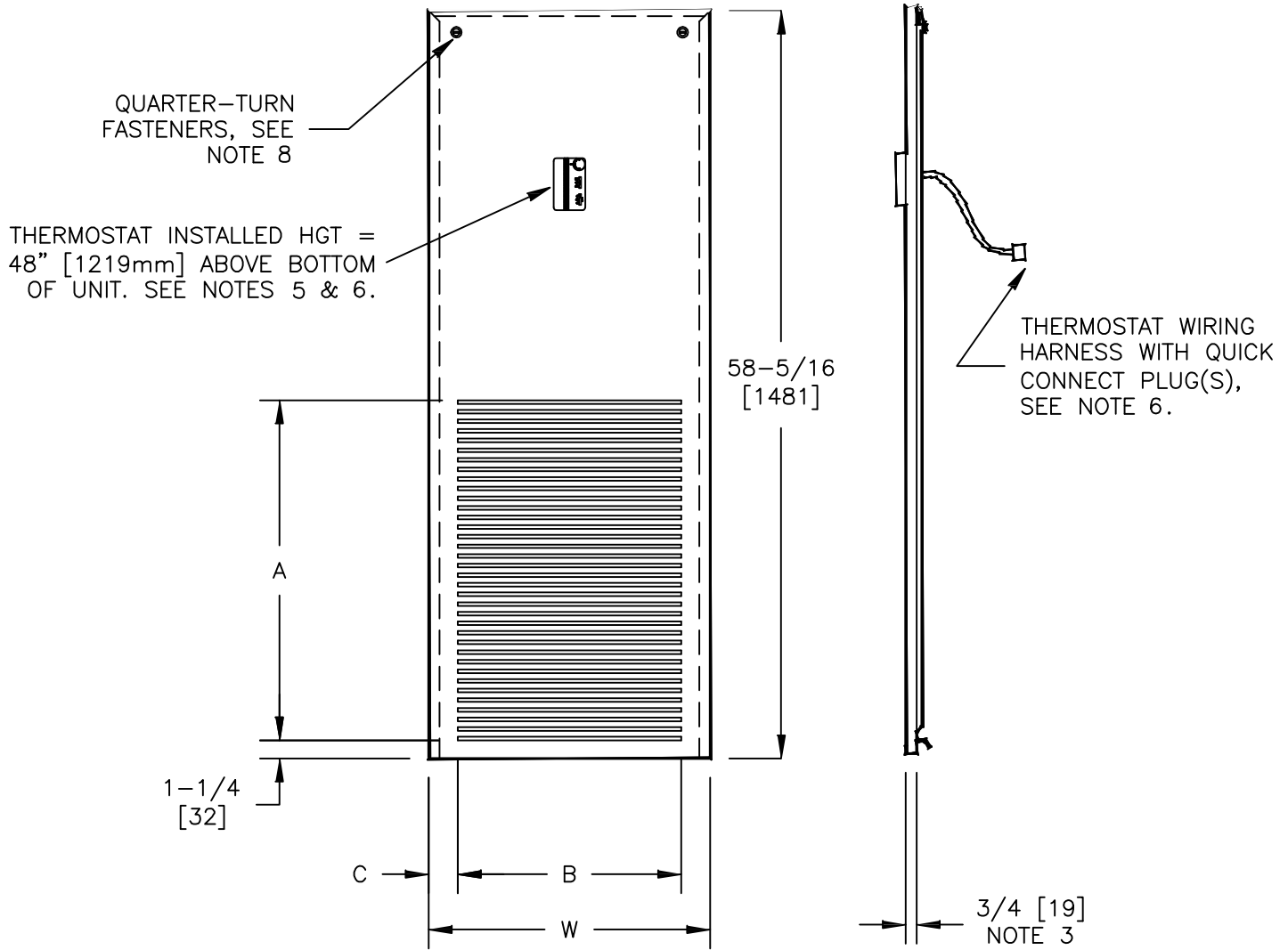


KVPH - VERTICAL STACK FAN COIL
 MODEL KVPH VERTICAL HIGH RISE FAN COIL UNIT STANDARD
 RETURN WALL PANEL WITH "ADA" THERMOSTAT

SUBMITTAL SHEET



UNIT SIZE	W	A	B	C
03/04	17-1/2 [445]	24-1/8 [613]	15 [381]	1-1/4 [32]
06/08	19-1/2 [495]	24-1/8 [613]	15 [381]	2-1/4 [57]
10/12	23-1/2 [597]	28-1/2 [724]	21 [533]	1-1/4 [32]

UNIT SIZE (6)	W	A	B	C
0306-0408	19-1/2 [495]	24-1/8 [613]	15 [381]	2-1/4 [57]
0310-0412	23-1/2 [597]	24-1/8 [613]	21 [533]	1-1/4 [32]
0610-0812	23-1/2 [597]	24-1/8 [613]	21 [533]	1-1/4 [32]

- NOTES:
1. ALL DIMENSIONS ARE INCHES [MM]. METRIC VALUES ARE SOFT CONVERSION.
 2. ALL DIMENSIONS ARE ±1/4" [6MM].
 3. INSTALLED WALL PANELS EXTENDS APPROXIMATELY 3/4" [19MM] FROM FINISHED WALL SURFACE.
 4. STANDARD FINISH IS POWDER COAT BAKED ENAMEL, COLOR IS "PEAR WHITE SATIN".
 5. ACTUAL INSTALLED THERMOSTAT HEIGHT IS DETERMINED BY UNIT INSTALLATION METHOD AND MAY VARY.
 6. THERMOSTAT IS SHIPPED LOOSE FOR FIELD INSTALLATION BY OTHERS.
 7. SIZES SHOWN ARE FOR "UP-SIZED" CABINET UNITS USED IN "TWIN PACK" PAIRS.
 8. MOUNTING HARDWARE IS FACTORY INSTALLED. REFER TO INSTRUCTIONAL DRAWING "FCS05-KVPE_KVPP_KVPS_02" FOR DETAILS.