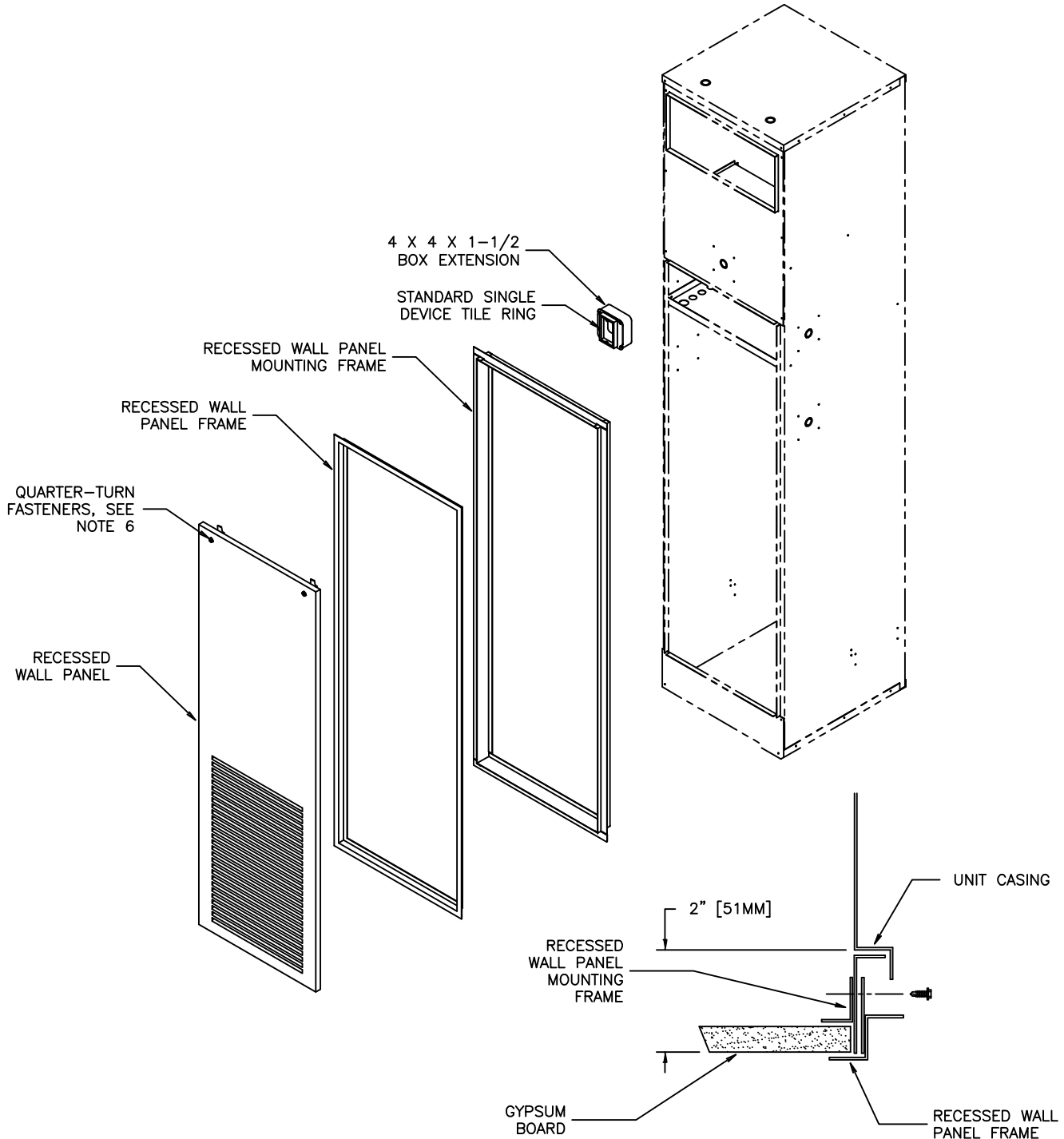


**KVPH - VERTICAL STACK FAN COIL**  
 MODEL KVPH VERTICAL HIGH RISE FAN COIL UNIT RECESSED WALL PANEL  
 OPTIONAL MOUNTING FRAME KIT

**SUBMITTAL SHEET**



**NOTES:**

1. MOUNTING FRAME KIT INCLUDES MOUNTING FRAME AND 4 x 4 x 1-1/2 BOX EXTENSION.
2. MOUNTING FRAME ATTACHES TO UNIT AROUND RETURN/ACCESS OPENING.
3. RECESSED PANEL FRAME ATTACHES TO MOUNTING FRAME.
4. SINGLE DEVICE TILE RING SHIPS ATTACHED TO FRONT OF UNIT.
5. SEE DRAWING "FCS05-KV07" FOR RECESSED WALL PANEL ASSEMBLY DETAILS.
6. MOUNTING HARDWARE IS SHIPPED LOOSE FOR FIELD INSTALLATION. REFER TO INSTRUCTIONAL DRAWING "FCS05-KVPE\_KVPP\_KVPS\_02" FOR DETAILS.

Revision Date: 04/15	Form: FCS05-KVPH09	Replaces: NEW
----------------------	--------------------	---------------