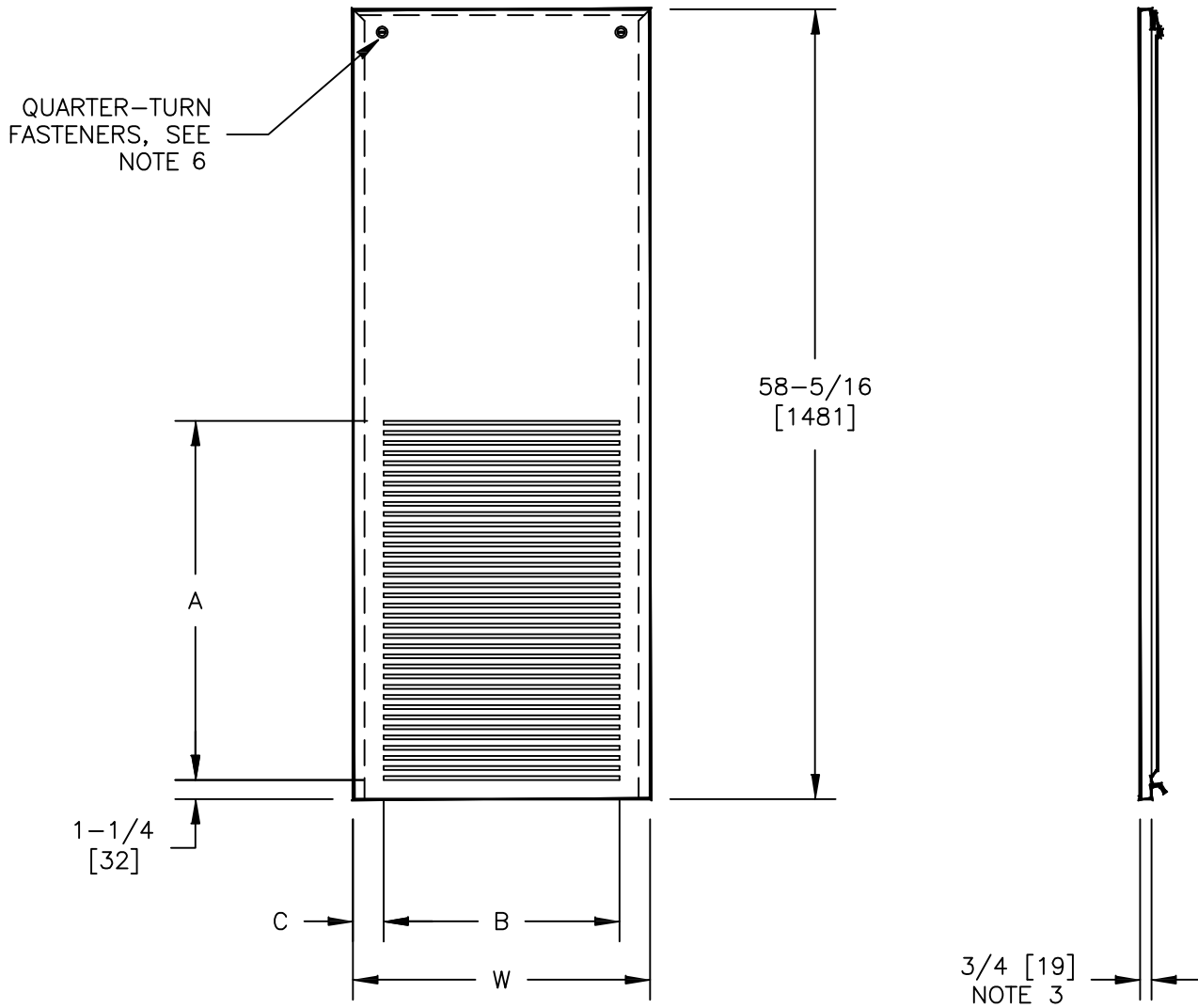


KVPH - VERTICAL STACK FAN COIL
 MODEL KVPH VERTICAL HIGH RISE FAN COIL UNIT STANDARD
 SURFACE MOUNT WALL PANEL

SUBMITTAL SHEET


UNIT SIZE	W	A	B	C
03/04	17-1/2 [445]	24-1/8 [613]	15 [381]	1-1/4 [32]
06/08	19-1/2 [495]	24-1/8 [613]	15 [381]	2-1/4 [57]
10/12	23-1/2 [597]	28-1/2 [724]	21 [533]	1-1/4 [32]

UNIT SIZE (6)	W	A	B	C
0306-0408	19-1/2 [495]	24-1/8 [613]	15 [381]	2-1/4 [57]
0310-0412	23-1/2 [597]	24-1/8 [613]	21 [533]	1-1/4 [32]
0610-0812	23-1/2 [597]	24-1/8 [613]	21 [533]	1-1/4 [32]

- NOTES:
1. ALL DIMENSIONS ARE INCHES [MM]. METRIC VALUES ARE SOFT CONVERSION.
 2. ALL DIMENSIONS ARE ±1/4" [6MM].
 3. INSTALLED WALL PANELS EXTENDS APPROXIMATELY 3/4" [19MM] FROM FINISHED WALL SURFACE.
 4. STANDARD FINISH IS POWDER COAT BAKED ENAMEL COLOR IS "PEARL WHITE SATIN"
 5. SIZES SHOWN ARE FOR "UP-SIZED" CABINET UNITS USED IN "ENVIRO-PAC" PAIRS.
 6. MOUNTING HARDWARE IS FACTORY INSTALLED. REFER TO INSTRUCTIONAL DRAWING "FCS05-KVPE_KVPP_KVPS_02" FOR DETAILS

Revision Date: 04/15	Form: FCS05-KVPH06	Replaces: NEW
----------------------	--------------------	---------------