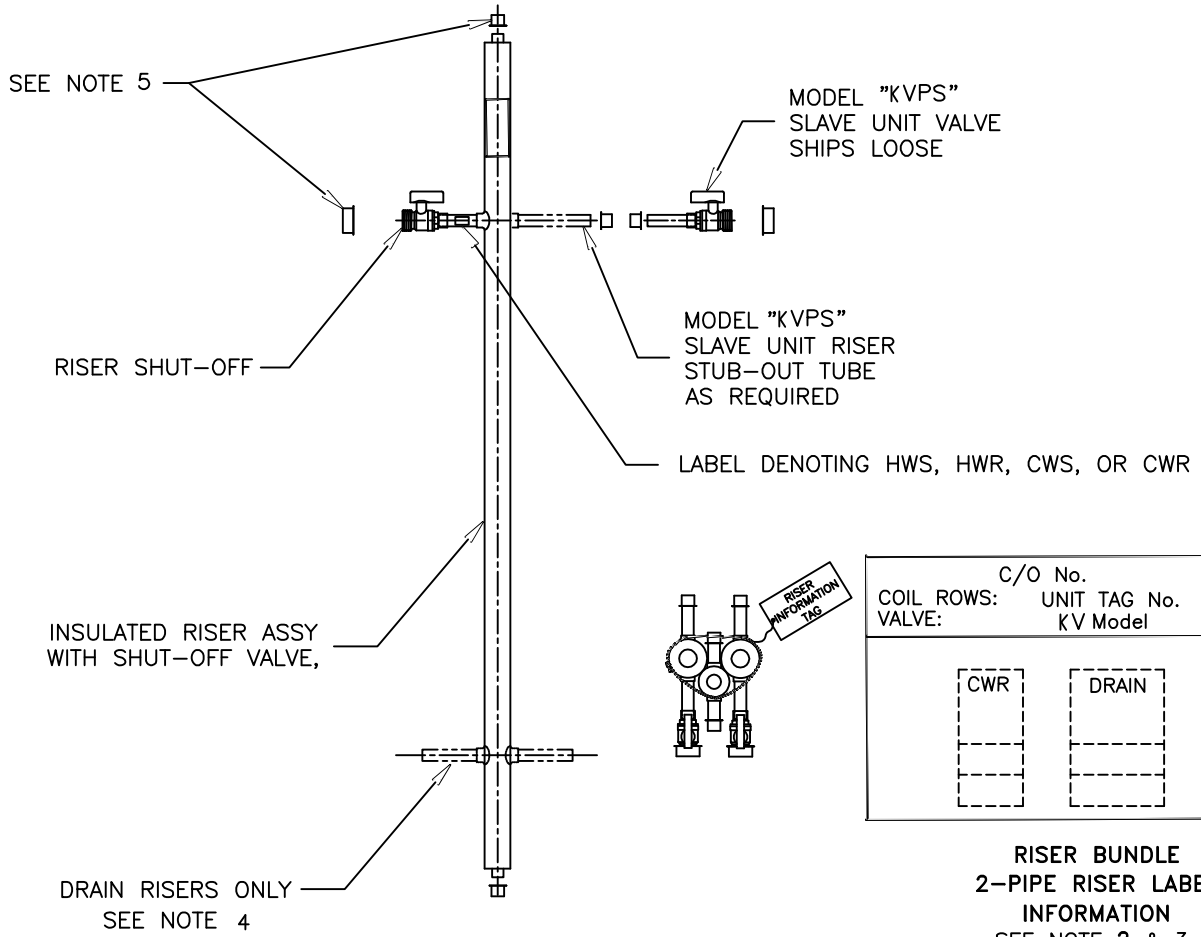
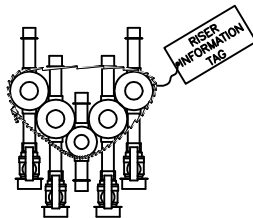


KVPE/KVPP - VERTICAL STACK FAN COIL
 PREPARATION INSTRUCTIONS FOR MODEL "KVPE/KVPP"
 VERTICAL HIGH RISE FCU, "SHIP LOOSE" RISER ASSEMBLIES

SUBMITTAL SHEET



TYPICAL RISER



COIL ROWS: VALVE:	C/O No. UNIT TAG No. KV Model	FLOOR: ROOM: RISER:		
HWS	HWR	DRAIN	CWS	CWR

**RISER BUNDLE
 4-PIPE RISER LABEL
 INFORMATION
 SEE NOTE 2 & 3**

- NOTES:**
1. ALL RISERS ARE FACTORY TESTED, AND GUARANTEED TO BE LEAK FREE AT TIME OF SHIPMENT.
 2. RISER INFORMATION SHOWN SHALL REFLECT MATCHING UNIT IDENTIFICATION LABELS.
 3. KVIS, SLAVE UNITS WILL HAVE MIRROR IMAGE ORIENTATION AND WILL B E LABELED IN UNITS.
 4. CONDENSATE P-TRAP/HOSE CLAMPS SHIPS INSTALLED IN UNIT FOR FIELD CONNECTIONS TO DRAIN RISER.
 5. ALL RISERS AND VALVES ARE SHIPPED WITH PROTECTIVE CAPS. THESE CAPS SHOULD REMAIN IN PLACE UNTIL INSTALLATION OF THE UNIT. DO NOT ALLOW THESE CAPS TO FALL INTO THE UNIT DRAIN PAN AT TIME OF REMOVAL.