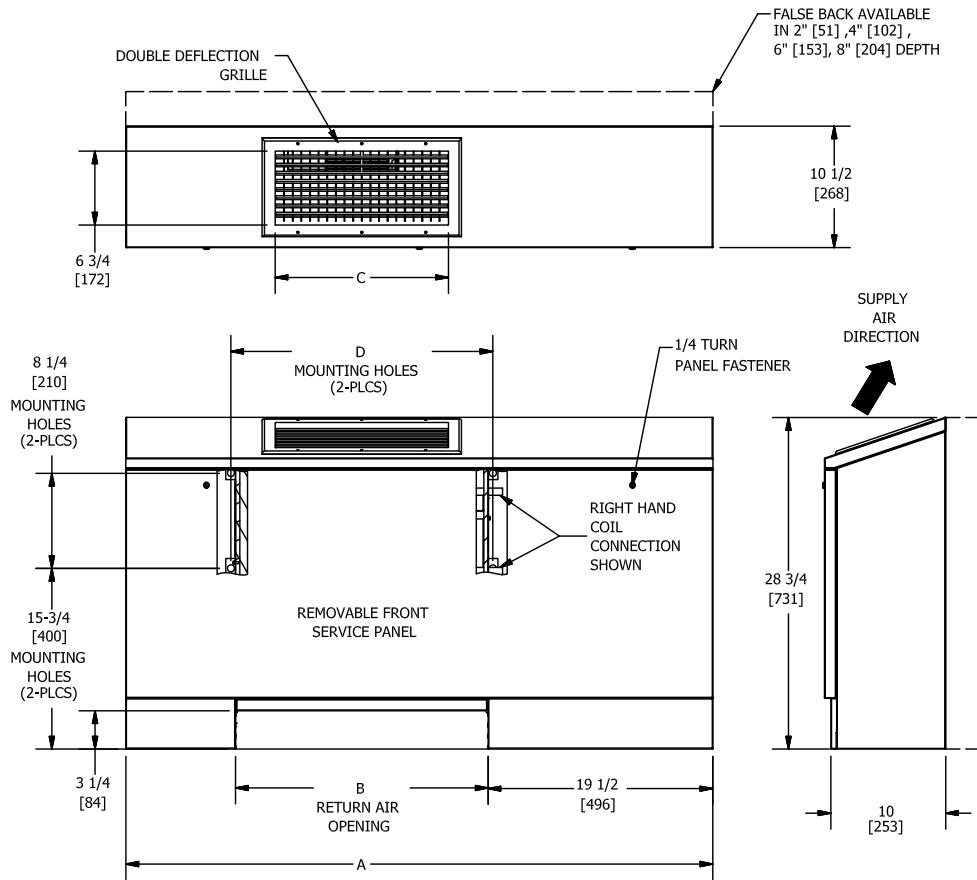


KVFS- VERTICAL FAN COIL
 VERTICAL FAN COIL DD GRILLE, FALSE BACK, EXTENDED

SUBMITTAL SHEET


UNIT MODEL	A	B	C	D
2	50 [1270]	22 [559]	15-1/16 [383]	22-3/4 [578]
3	54 [1371]	26 [660]	19-1/16 [484]	26-3/4 [679]
4	60 [1524]	32 [813]	25-1/16 [637]	32-3/4 [832]
6	70 [1778]	42 [1067]	35-1/16 [891]	42-3/4 [1086]
8	72 [1829]	44 [1118]	37-1/16 [941]	44-3/4 [1137]
10	86 [2184]	58 [1473]	51-1/16 [1297]	58-3/4 [1492]
12	94 [2388]	66 [1676]	59-1/16 [1500]	66-3/4 [1695]

- NOTES:
- ALL DIMENSIONS ARE INCHES [MILLIMETERS]. ALL DIMENSIONS ARE +/-1/4" [6MM]. METRIC VALUES ARE SOFT CONVERSION
 - JUNCTION BOX SIZE AND LOCATION VARIES WITH UNIT FEATURES. CONTROL OPTIONS MAY BE LIMITED.
 - PROVIDE SUFFICIENT CLEARANCE TO ACCESS ELECTRICAL CONTROLS AND COMPLY WITH APPLICABLE CODES AND ORDINANCES
 - STANDARD CABINET FINISH IS "PEARL WHITE SATIN"
 - SOME CONTROL OR PIPING PACKAGE OPTIONS MAY REQUIRE EXTENDED END POCKETS AND/OR EXTENDED DRAIN PANS
 - FALSE BACK EXTENSION AVAILABLE
 - RIGHT HAND EXTENDED END POCKET SHOWN, LEFT HAND UNIT SIMILAR BUT OPPOSITE

Revision Date: 04/15	Form: FCS03-KVFS10	Replaces: NEW
----------------------	--------------------	---------------