

PRN100

Introduction: PRN100

MODEL

PRN100 - Neck Mounted Radial Sliding Blade Damper, Heavy Gage Steel Construction

FEATURES

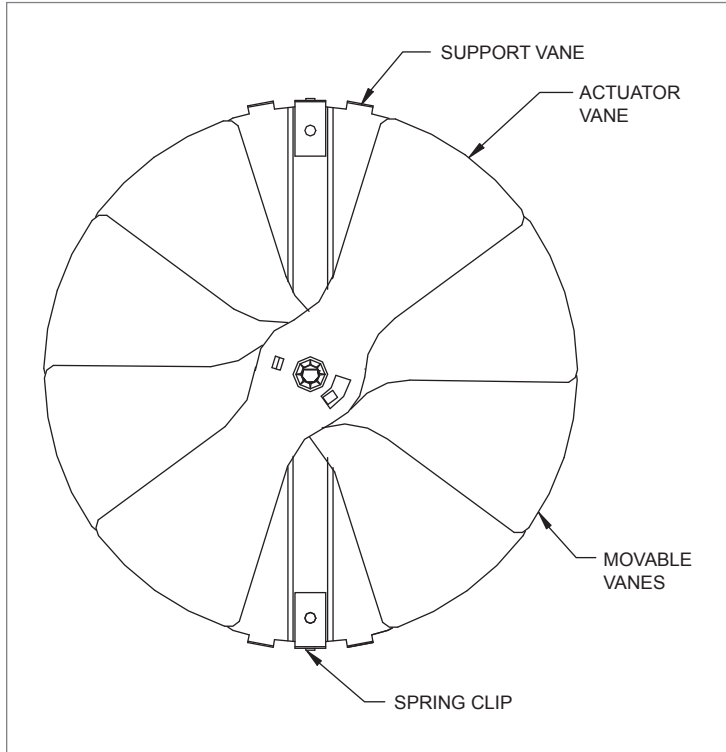
- Gang operated radial blades that slide at right angles to the duct to allow damper to work effectively in flexible duct applications.
- Operated by flat-head screwdriver through face.
- Shipped loose for field installation.

FINISH

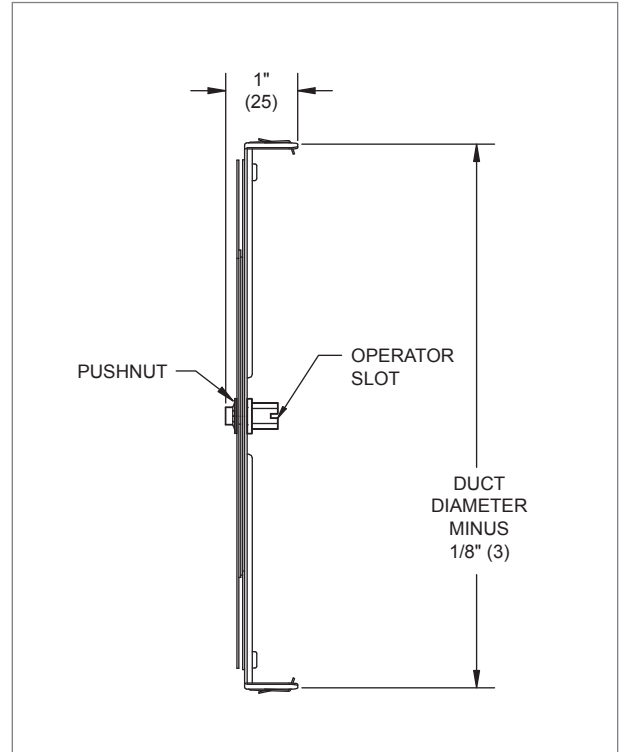
- Standard finish is Mill.

PRN100 Dimensional Information

PRN100, FACE VIEW



PRN100, CROSS SECTION



AVAILABLE SIZES

Nominal Duct Diameter
6" (152)
7" (178)
8" (203)
10" (254)
12" (305)
14" (356)

NOTES: Dimensions in parentheses are mm. Reference page Q1-26 for applicable product.