

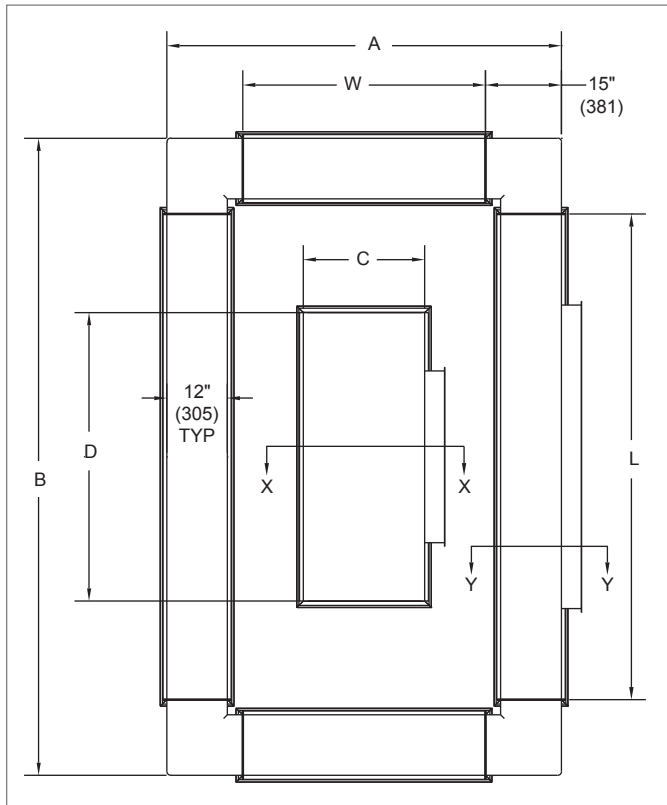
Sterilflo System® Design Criteria

STERILFLO SYSTEM®, CFM REFERENCE & DIMENSIONAL DETAILS

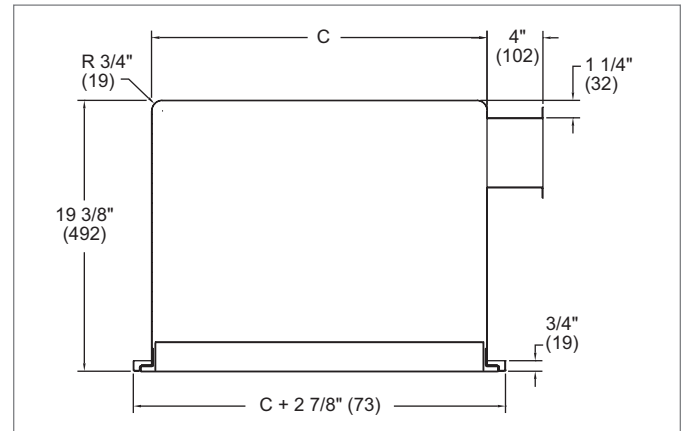
Model	W	L	A	B	C	D	Min. CFM	Max. CFM	Mid-Range CFM
48	4' 0"	8' 0"	6' 6"	10' 6"	2' 0"	6' 0"	900	1620	1300
58	5' 0"	8' 0"	7' 6"	10' 6"	3' 0"	4' 4"	980	1760	1400
410	4' 0"	10' 0"	6' 6"	12' 6"	3' 0"	4' 8"	1050	1890	1500
68	6' 0"	8' 0"	8' 6"	10' 6"	2' 6"	5' 8"	1050	1890	1500
510	5' 0"	10' 0"	7' 6"	12' 6"	2' 0"	7' 6"	1130	2030	1600
412	4' 0"	12' 0"	6' 6"	14' 6"	2' 0"	8' 0"	1200	2160	1700
610	6' 0"	10' 0"	8' 6"	12' 6"	3' 0"	5' 4"	1200	2160	1700
88	8' 0"	8' 0"	10' 6"	10' 6"	3' 0"	5' 4"	1200	2160	1700
512	5' 0"	12' 0"	7' 6"	14' 6"	2' 0"	8' 6"	1280	2300	1800
612	6' 0"	12' 0"	8' 6"	14' 6"	3' 0"	6' 0"	1350	2430	1900
810	8' 0"	10' 0"	10' 6"	12' 6"	3' 0"	6' 0"	1350	2430	1900
812	8' 0"	12' 0"	10' 6"	14' 6"	3' 0"	6' 8"	1500	2700	2100
1010	10' 0"	10' 0"	12' 6"	12' 6"	3' 0"	6' 8"	1500	2700	2100
814	8' 0"	14' 0"	10' 6"	16' 6"	3' 0"	7' 4"	1660	2980	2300
1212	12' 0"	12' 0"	14' 6"	14' 6"	4' 0"	6' 0"	1800	3240	2500
1214	12' 0"	14' 0"	14' 6"	16' 6"	4' 0"	6' 6"	1950	3500	2700

CRITICAL ROOM PRODUCTS

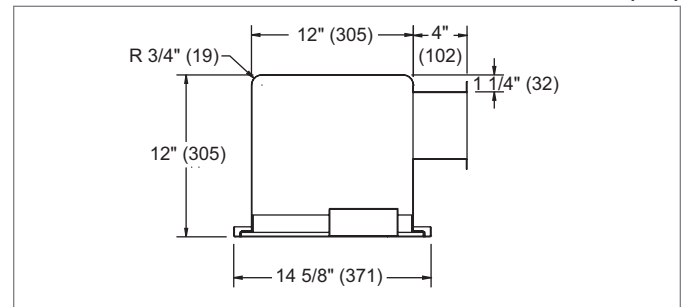
STERILFLO SYSTEM®, TOP VIEW



STERILFLO SYSTEM®, CROSS SECTION CENTER (X-X)



STERILFLO SYSTEM®, CROSS SECTION PERIMETER (Y-Y)

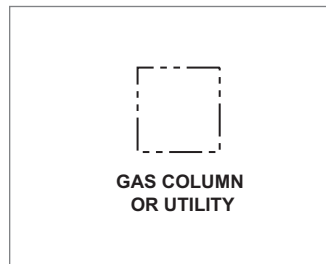
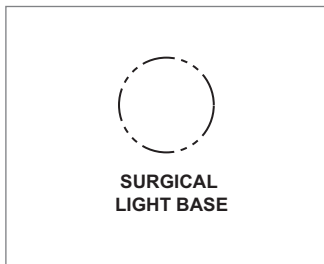
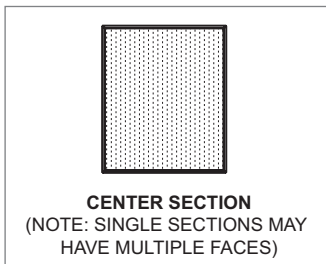
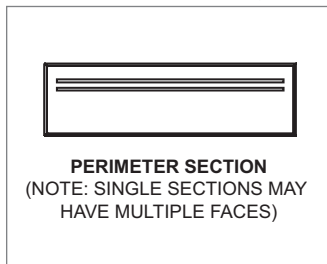


NOTE: Dimensions in parentheses are mm.

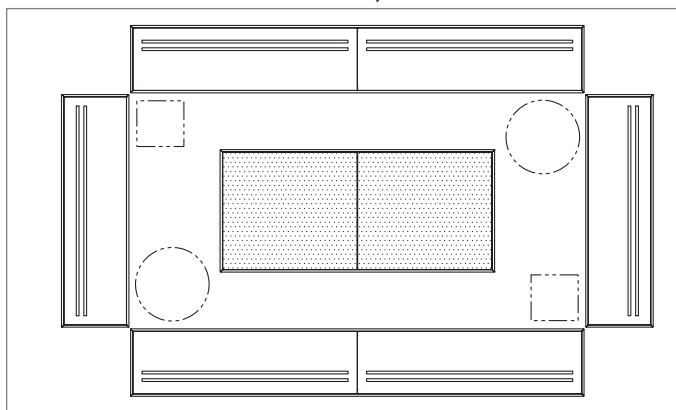
STERILFLO

Sterilflo System® Design Criteria

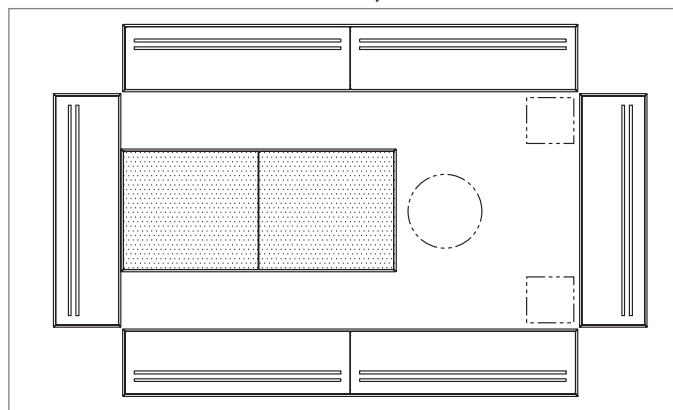
STERILFLO SYSTEM®, LAYOUT SYMBOLS



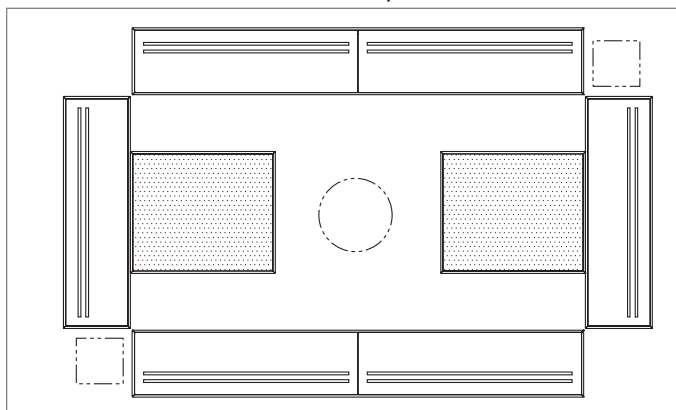
STERILFLO SYSTEM® STANDARD, SINGLE CENTER SECTION



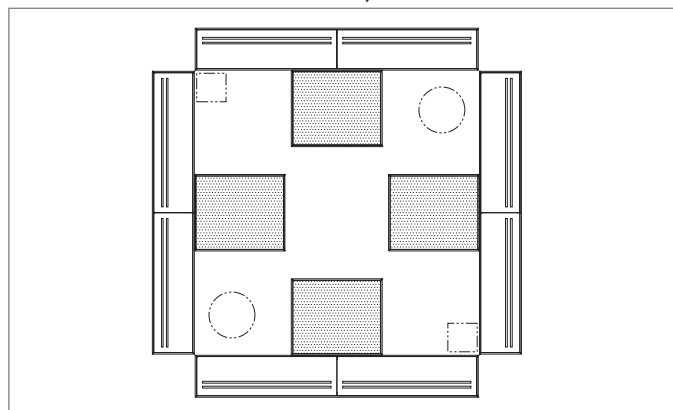
STERILFLO SYSTEM® STANDARD, OFFSET CENTER SECTION



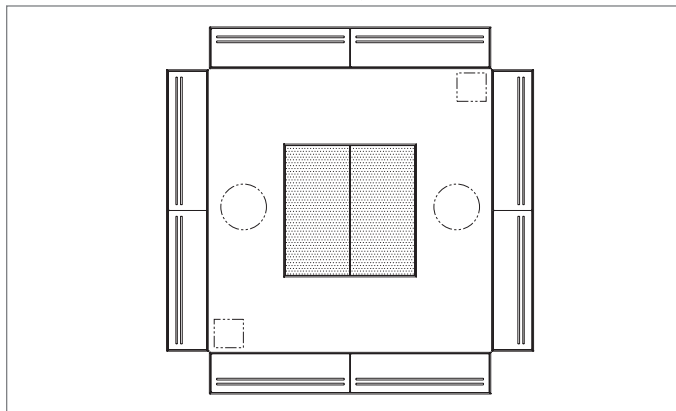
STERILFLO SYSTEM® STANDARD, SPLIT CENTER SECTION



STERILFLO SYSTEM® SQUARE, FOUR CENTER SECTIONS



STERILFLO SYSTEM® SQUARE, SINGLE CENTER SECTION



CRITICAL ROOM PRODUCTS

STERILFLO

Sterilflo System® Components

CENTER AND PERIMETER PLENUM - 22 Gage (minimum) corrosion resistant steel, type 304, 2B finish.

PLENUM FRAME - 18 Gage corrosion resistant steel, type 304, no. 4 scratch finish on exposed surfaces.

AIR DISTRIBUTION PANELS - 20 Gage (minimum) for perimeter and 22 gage (minimum) perforated for center panels corrosion resistant steel, type 304, no. 4 scratch finish on exposed surfaces. Krueger may supply multiple panels per plenum to facilitate installation, removal, or cleaning. Panels are attached to frame with 1/4 turn fasteners to facilitate removal and reinstallation. Perimeter panels are designed to prevent incorrect orientation of slots when panel is installed.

SAFETY CABLES - Each air distribution panel has a pair of safety cables to allow safe disassembly. Anchor point is inside plenum.

ELBOWS - 20 gage (minimum) corrosion resistant steel, type 304, 2B finish.

CONSTANT VOLUME MIXING UNIT - Not part of the Sterilflo System®. Recommended due to high static pressure from HEPA. Krueger can optionally supply mixing boxes and controls for your project.

HEPA FILTER - Not part of the Sterilflo System®. Krueger recommends the HEPA be in an accessible location for ease of maintenance. It is convenient for the maintenance staff if an anometer is used across the HEPA to help determine when it should be replaced. HEPA filters should be placed as close to the system as is practical.

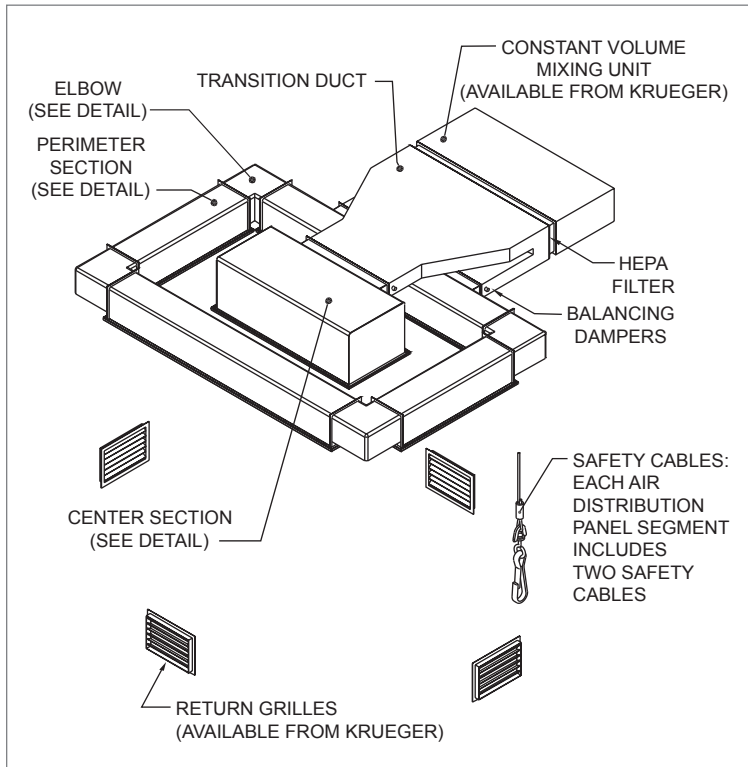
BALANCING DAMPERS - Not part of the Sterilflo System®. Each inlet on the system requires a balancing damper at or upstream of the inlet. Dampers should allow being locked in place and should be accessible through a gypsum board ceiling.

TRANSITION DUCT - Not part of the Sterilflo System®. All duct work after the HEPA filters should be corrosion resistant steel. Ideally, the duct work should have clean-outs spaced no more than 10' on center.

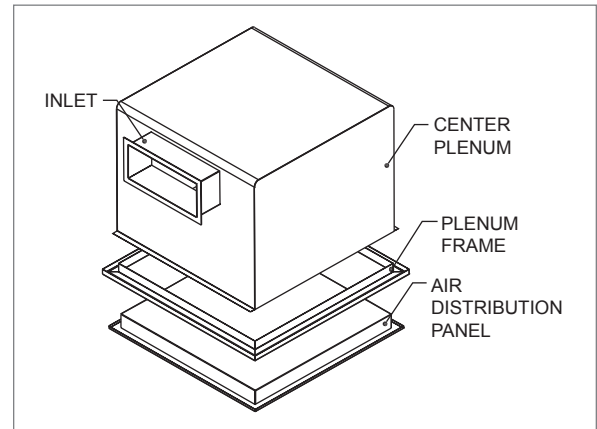
RETURN GRILLES - Not part of the Sterilflo System®. Return grilles are subject to chemical sterilization and should be corrosion resistant steel. Krueger can supply return grilles for your project.

CRITICAL ROOM PRODUCTS

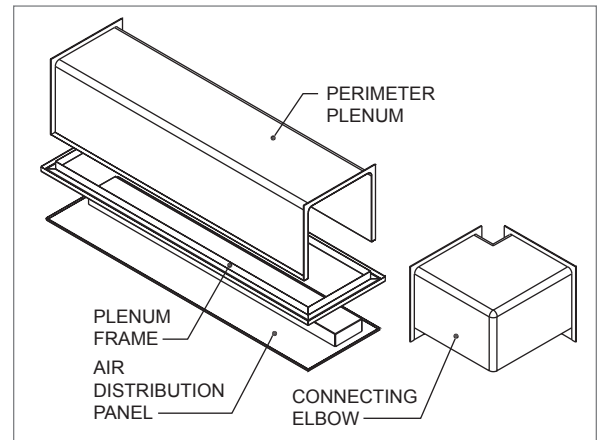
STERILFLO SYSTEM® COMPONENT DETAIL



STERILFLO SYSTEM®, CENTER SECTION DETAIL



STERILFLO SYSTEM®, PERIMETER & ELBOW DETAIL



STERILFLO

© KRUEGER 2012