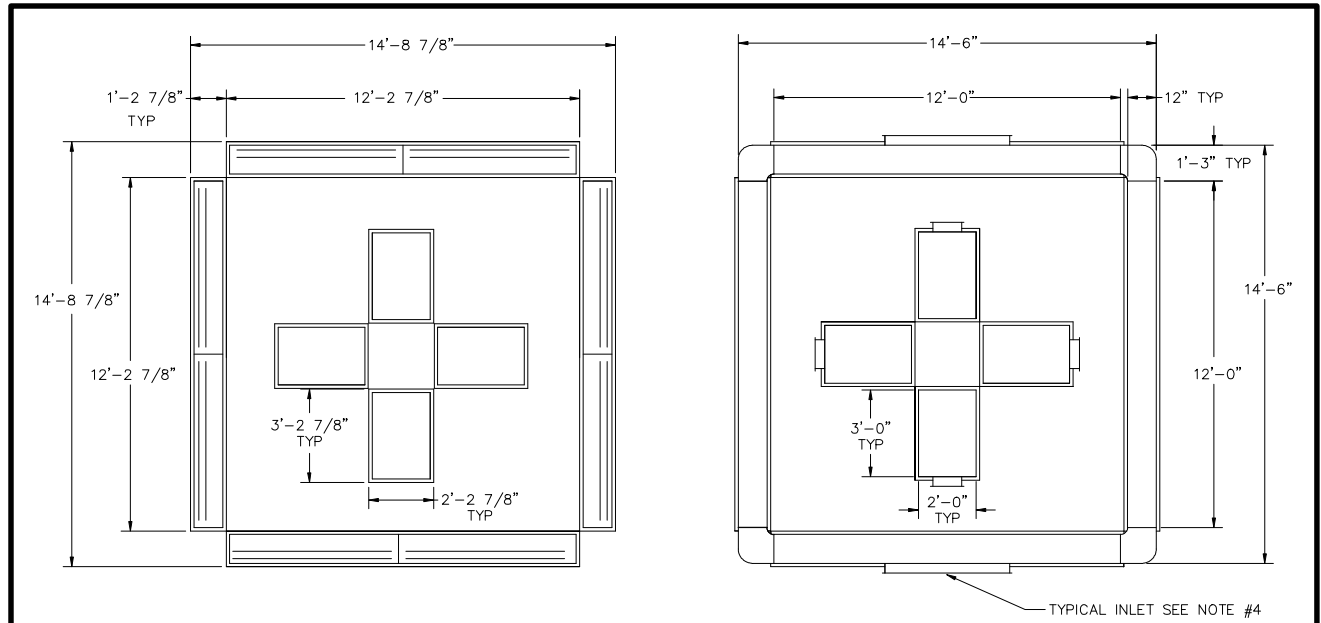


JOB NAME _____
 ARCHITECT _____
 ENGINEER _____
 CONTRACTOR _____
 LOCATION _____

SUBMITTALSHEET
 Form Number SS0008 Effective Date 11/97
 replaces FORM SS-S-0008

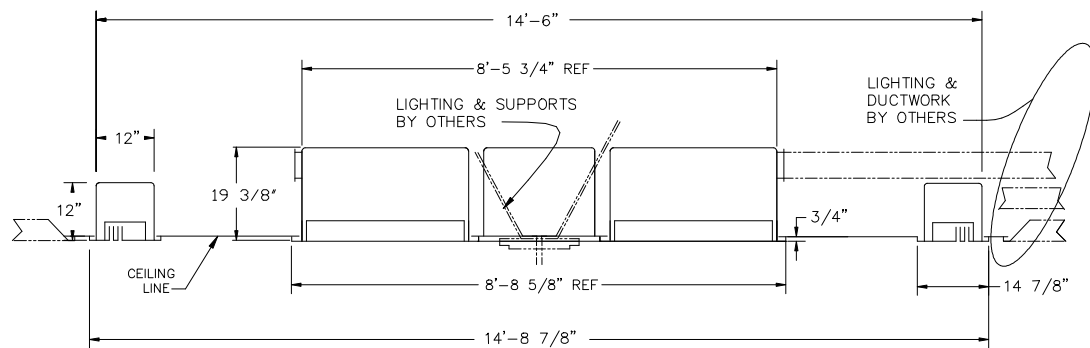


STERILFLO SYSTEM MODEL 1212
OPERATING ROOM PARTICULATE CONTROL SYSTEM



REFLECTED CEILING VIEW

PLENUM TOP VIEW



MODEL 1212 CROSS SECTION
 NTS

NOTES :

- MATERIAL SPECIFICATIONS:** PLENUMS : 304 STAINLESS STEEL MINIMUM 22 GA.
 PERFORATED CENTER PANEL FACES : 304 STAINLESS STEEL MINIMUM 22 GA.
 SLOTTED PERIMETER FACES : 304 STAINLESS STEEL MINIMUM 20 GA.
- FINISH OF SLOTTED PERIMETER FACE PANELS AND ALL EXPOSED FRAMES IS NO. 4 SCRATCH OR EQUAL.
- ALL FACE PANELS ARE RETAINED WITH QUARTER TURN FASTENERS FOR EASE OF INSTALLATION & REMOVAL.
- FLANGED INLETS (4" DEEP) ARE SIZED ACCORDING TO THE NUMBER OF AIR CHANGES REQUIRED AND THE VOLUME OF THE ROOM SPECIFIED.
- MODEL 1212 IS DESIGNED TO MEET A REQUIREMENT OF 1800 CFM – 3200 CFM.** IT ALLOWS INSTALLATION OF A CENTER MOUNT SURGICAL LIGHT AND VARIOUS ORIENTATION CHOICES FOR THE SURGICAL TABLE.