

**MODEL**

DMDR - Duct mounted drum louver

**FEATURES**

- Mounts directly to spiral or round duct
- Easy finger tip adjustment
- Heavy gauge aluminum construction
- Foam gasket to seal unit to duct
- Ideal for exposed ceiling installations

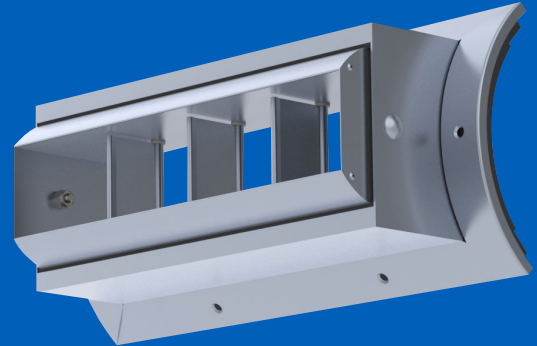
**GRILLE SIZE**

- Width: 9", 10", 12", 14", 16", 18", 24", 30", 32", 34", 35", 36", 40", 42", 48", 50" and 60"
- Height: 4", 6", 8", 10", 12" or 15"
- Duct Diameter: 8" - 36" (2" increments)

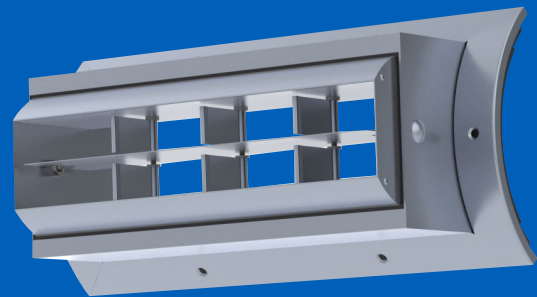
**COMPATIBLE OPTIONS AND ACCESSORIES**

- Heavy Duty Opposed Blade Damper
- Extractor <sup>1</sup>

NOTES: See website for complete available configuration combinations.

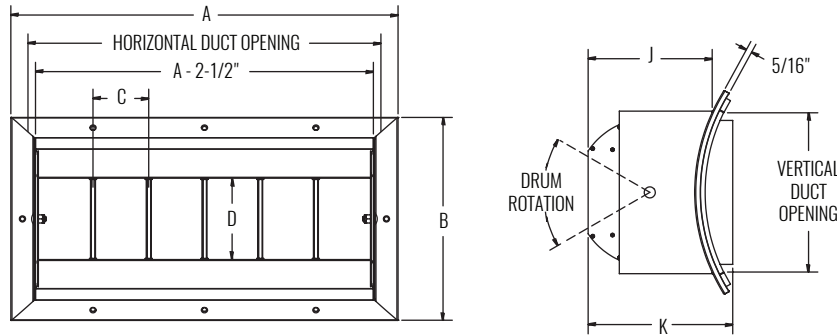
<sup>1</sup> Extractor must be ordered with the product; cannot be retrofitted.

SINGLE VANE, ISOMETRIC VIEW



SPLIT VANE, ISOMETRIC VIEW

## DIMENSIONAL DATA



NOTES: See table below for dimensional references. See full submittal for dimensional information with optional OBD or Extractor.

## PERFORMANCE AND DIMENSIONAL DATA

SIZE	PERFORMANCE - FREE JET THROW				DIMENSIONS							
	NC (< 25)		NC (25 - 40)		A	B	C	D	J	K	MIN DUCT DIAMETER	
	MAX CFM	MAX THROW (ft)	CFM	THROW (ft)								
12" x 04"	240	28	241 - 420	28 - 37	14 7/8"	6 1/2"	3"	2 3/8"	3 15/16"	5 1/16"	8"	
24" x 04"	440	38	441 - 682	38 - 47	26 7/8"	6 1/2"	3"	2 3/8"	3 15/16"	5 1/16"	8"	
48" x 04"	808	51	809 - 1272	51 - 64	50 7/8"	6 1/2"	3"	2 3/8"	3 15/16"	5 1/16"	8"	
12" x 06"	341	33	342 - 536	33 - 42	14 7/8"	8 1/2"	3"	3 3/8"	4 3/16"	5 1/4"	10"	
24" x 06"	627	45	626 - 979	45 - 56	26 7/8"	8 1/2"	3"	3 3/8"	4 3/16"	5 1/4"	10"	
48" x 06"	1151	61	1152 - 1814	61 - 77	50 7/8"	8 1/2"	3"	3 3/8"	4 3/16"	5 1/4"	10"	
12" x 08"	440	38	441 - 688	38 - 47	14 7/8"	10 1/2"	3"	4 3/8"	5 5/8"	7 3/4"	14"	
24" x 08"	808	51	809 - 1269	51 - 64	26 7/8"	10 1/2"	3"	4 3/8"	5 5/8"	7 3/4"	14"	
48" x 08"	1481	69	1482 - 2335	69 - 87	50 7/8"	10 1/2"	3"	4 3/8"	5 5/8"	7 3/4"	14"	
20" x 10"	839	52	840 - 1313	52 - 65	22 7/8"	12 1/2"	5"	5 7/8"	7 1/8"	8 3/16"	14"	
40" x 10"	1538	71	1539 - 2414	71 - 89	42 7/8"	12 1/2"	5"	5 7/8"	7 1/8"	8 3/16"	14"	
60" x 10"	2187	84	2188 - 3453	84 - 106	62 7/8"	12 1/2"	5"	5 7/8"	7 1/8"	8 3/16"	14"	
20" x 12"	986	57	987 - 1545	57 - 71	22 7/8"	14 1/2"	5"	6 7/8"	7 13/16"	8 7/8"	18"	
40" x 12"	1805	77	1806-2837	77-96	42 7/8"	14 1/2"	5"	6 7/8"	7 13/16"	8 7/8"	18"	
60" x 12"	2566	91	2567-4054	91-115	62 7/8"	14 1/2"	5"	6 7/8"	7 13/16"	8 7/8"	18"	
30" x 15"	1712	75	1713-2681	75-93	32 7/8"	17 1/2"	5"	9 13/16"	8 7/16"	9 1/2"	28"	
40" x 15"	2207	85	2208-3449	85-106	42 7/8"	17 1/2"	5"	9 13/16"	8 7/16"	9 1/2"	28"	
60" x 15"	3133	101	3134-4923	101-126	62 7/8"	17 1/2"	5"	9 13/16"	8 7/16"	9 1/2"	28"	

**SEE BACK SUPPLEMENT FOR DESIGN INFORMATION**

Information shown is abbreviated. See website for complete information. Throw value ranges are given for isothermal conditions, unless otherwise noted, and a terminal velocity of 50 FPM (0.25 m/s). NC ranges are based on octave band 2 - 7 sound power levels minus a room absorption of 10dB, re 10<sup>-12</sup> Watts. Data was obtained from tests conducted in accordance with ANSI/ASHRAE Standard 70, ISO Standard 5219, and ISO Standard 3741.