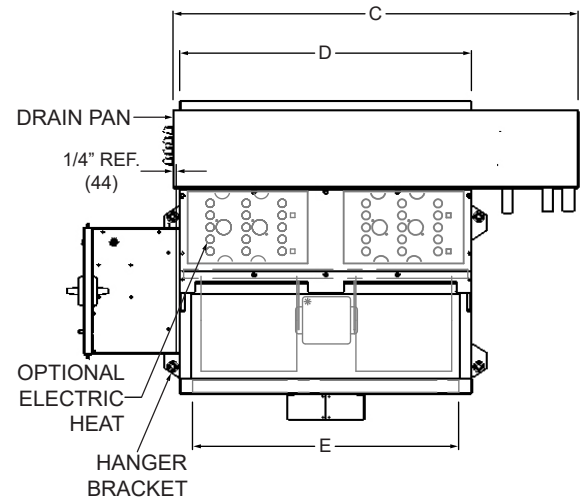
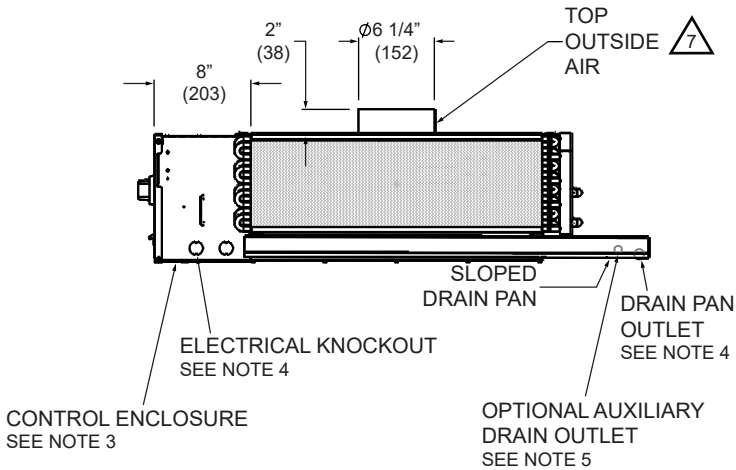


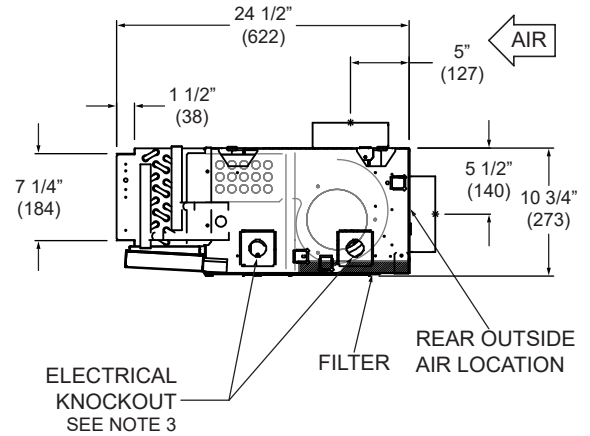
TOP VIEW



BOTTOM VIEW



FRONT VIEW



SIDE VIEW

DIMENSIONS					
UNIT SIZE	A	B	C	D	E
02	16" (406)	17 1/4" (438)	25 1/4" (641)	16" (406)	13 3/16" (335)
03	19 1/4" (489)	20 1/2" (521)	28 1/2" (724)	19 1/4" (489)	16 7/16" (418)
04	24 1/4" (616)	25 1/2" (648)	33 1/2" (851)	24 1/4" (616)	22 11/16" (576)
06	31" (787)	32 1/4" (819)	40 1/4" (1022)	31" (787)	29 7/16" (748)
08	38" (965)	39 1/4" (997)	47 1/4" (1200)	38" (965)	36 7/16" (925)
09	42 1/4" (1073)	43 1/2" (1105)	51 1/2" (1308)	42 1/4" (1073)	40 1/2" (1029)
10	52" (1321)	53 1/4" (1353)	61 1/4" (1556)	52" (1321)	50 7/16" (1281)
12	60" (1524)	60 1/4" (1530)	69 1/4" (1759)	60" (1524)	57 1/2" (1461)

NOTE:

- All dimensions in Inches (millimeters). All dimensions $\pm 1/4"$ (6mm). Metric values are soft conversion.
 - Left hand unit shown, right hand unit opposite.
 - Standard control enclosure is mounted on unit side opposite cooling coil connections. Unit casing includes (2) knockouts on each side. Provide sufficient clearance to access electrical controls and comply with applicable codes and ordinances.
 - Standard externally foam coated galvanized steel drain pan has 7/8" ODM copper outlet. Stainless steel drain pan has 3/4" MPT galvanized steel outlet.
 - Aux. drain outlet is 5/8" ODM copper or 3/8" MPT galvanized steel respectively.
 - See coil connection drawings for coil connection sizes and locations.
- Either Top or Bottom outside air available for bottom return only.