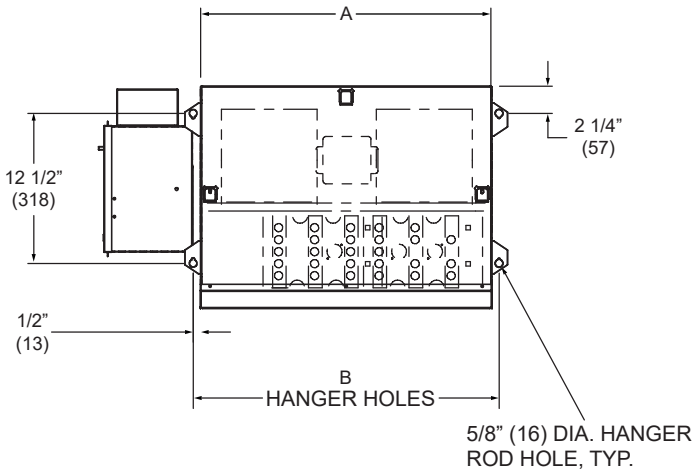
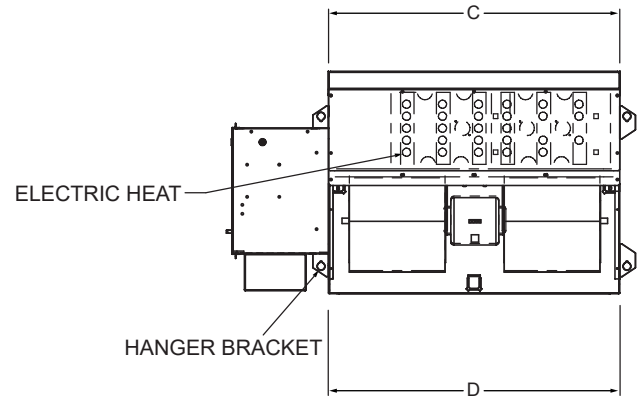


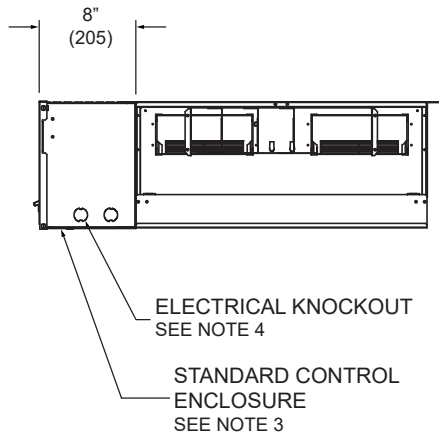
SUBMITTAL SHEET



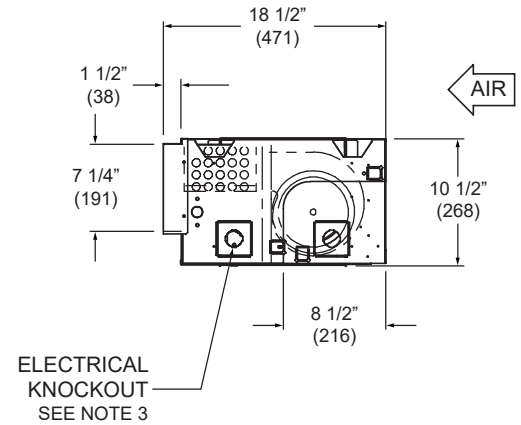
TOP VIEW



BOTTOM VIEW



FRONT VIEW



SIDE VIEW

DIMENSIONS				
UNIT SIZE	A	B	C	D
02	16" (406)	17 1/4" (438)	16" (406)	13 3/16" (335)
03	19 1/4" (489)	20 1/2" (521)	19 1/4" (489)	16 7/16" (418)
04	24 1/4" (616)	25 7/16" (646)	24 1/4" (616)	22 11/16" (576)
06	31" (787)	32 1/4" (819)	31" (787)	29 7/16" (748)
08	38" (965)	39 1/4" (997)	38" (965)	36 7/16" (925)
09	42 1/4" (1073)	43 5/16" (1100)	42 1/4" (1073)	40 1/2" (1029)
10	52" (1321)	53 1/4" (1353)	52" (1321)	50 7/16" (1281)
12	60" (1524)	60 1/4" (1530)	60" (1524)	57 1/2" (1461)

NOTE:

1. All dimensions in Inches (millimeters). All dimensions $\pm 1/4"$ (6mm). Metric values are soft conversion.
2. Left hand unit shown, right hand unit opposite.
3. Standard control enclosure is mounted on unit side opposite cooling coil connections. Unit casing includes (2) knockouts on each side. Provide sufficient clearance to access electrical controls and comply with applicable codes and ordinances.