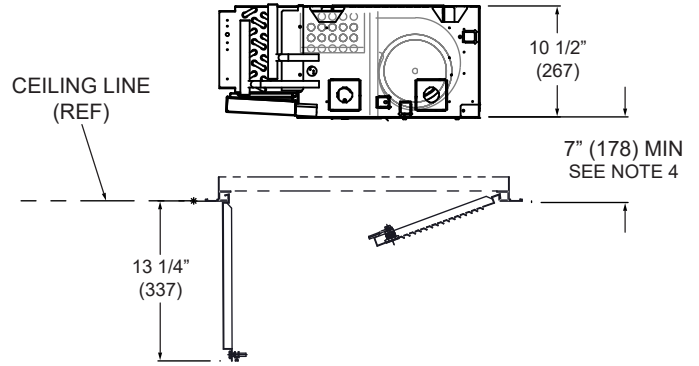
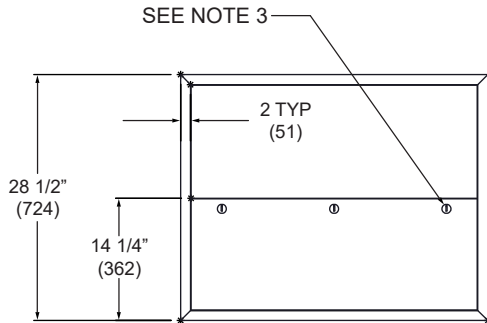


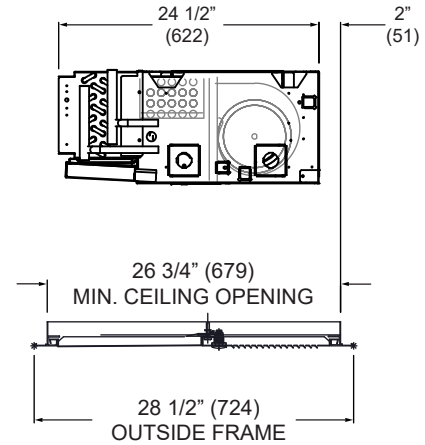
FRONT VIEW



SIDE VIEW



BOTTOM VIEW



SIDE VIEW

DIMENSIONS			
UNIT SIZE	A	B	C
02	38 1/4" (972)	40 1/4" (1022)	19 1/8" (486)
03	41 1/2" (1054)	43 1/2" (1105)	20 3/4" (527)
04	46 1/2" (1181)	48 1/2" (1232)	23 1/4" (591)
06	53 1/4" (1353)	55 1/4" (1403)	26 5/8" (676)
08	60 1/4" (1530)	62 1/4" (1581)	30 1/8" (765)
09	64 1/2" (1638)	66 1/2" (1689)	32 1/4" (819)
10	74 1/4" (1885)	76 1/4" (1937)	37 1/8" (943)
12	82 1/4" (2089)	84 1/4" (2140)	41 1/8" (1045)

**NOTE:**

1. All dimensions in Inches (millimeters). All dimensions  $\pm 1/4"$  (6mm). Metric values are soft conversion.
2. Left hand unit shown, right hand unit opposite.
3. 1/4 Turn latch, (2) qty for standard sizes, (3) qty for sizes 10-12.
4. Please reference the external feature space requirements submittal for complete service space requirements. Service access may be limited based on the panels installed in relation to the unit.