

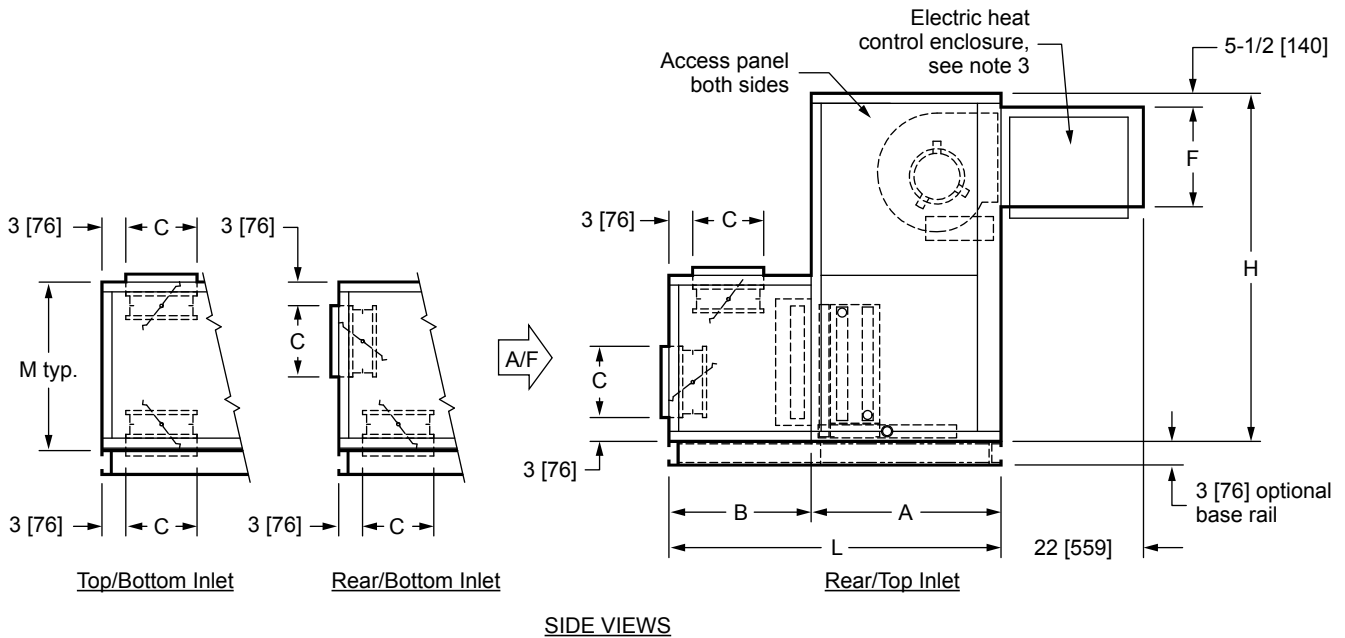
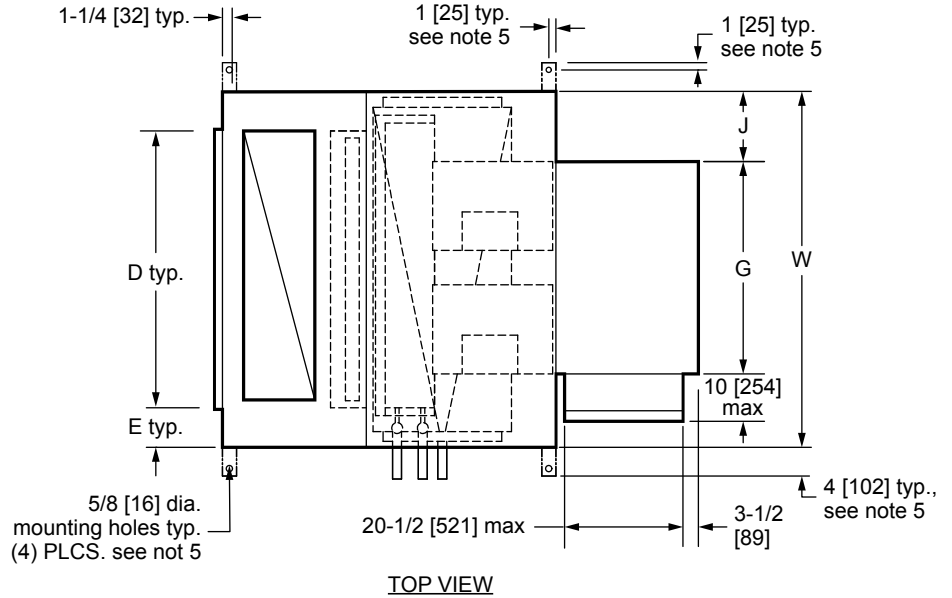
KBVD Dual Blower Arr. 3 w/Mixing Box & Electric Heat

DIRECT DRIVE DUAL BLOWER COIL UNIT
 BASIC UNIT - DISCHARGE ARG.3 W/MIXING BOX & BLOW-THRU ELECTRIC HEAT

SUBMITTAL SHEET

NOTES:

- All dimensions are in Inches [millimeters]. All dimensions are $\pm 1/4"$ [6mm]. Metric values are soft conversion.
- Right hand unit shown, Left hand unit opposite. Motor/drive location may be specified Left or Right Hand. Standard control enclosure location matches motor/drive position.
- Provide sufficient clearance to permit access to controls and comply with applicable codes and ordinances.
- See drawing BCS-KBOD-ACFR0 for filter rack details.
- Base rail is optional on the base unit. See drawing BCS-KBOD-ACEB0. Base rails must be used with mixing box.
- See coil connection detail drawings for coil connection sizes and locations.
- Units with electric heat only (No chilled water, DX, hot water or steam coils) and a drain pan will be supplied with condensate drain outlet the same side as the electric heat control enclosure.



DIMENSIONS													
UNIT SIZE	FAN SIZE	L	W	H	A	B	C	D	E	F	G	J	M
30	10 x 8 [254 x 203]	51 [1295]	59 [1499]	56 [1422]	30 [762]	21 [533]	12 [305]	45 [1143]	7 [178]	11-7/8 [302]	34-1/4 [870]	12-3/8 [314]	30 [762]
40	10 x 8 [254 x 203]	54 [1372]	68 [1727]	59 [1499]	30 [762]	24 [610]	15 [381]	48 [1219]	10 [254]	11-7/8 [302]	34-1/4 [870]	16-7/8 [429]	30 [762]