

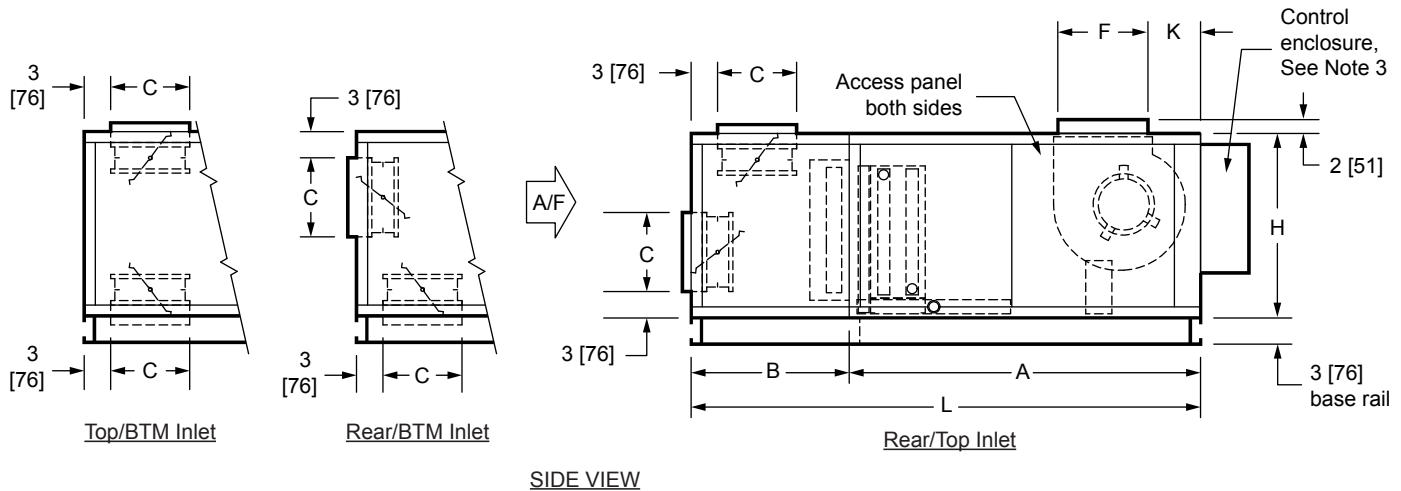
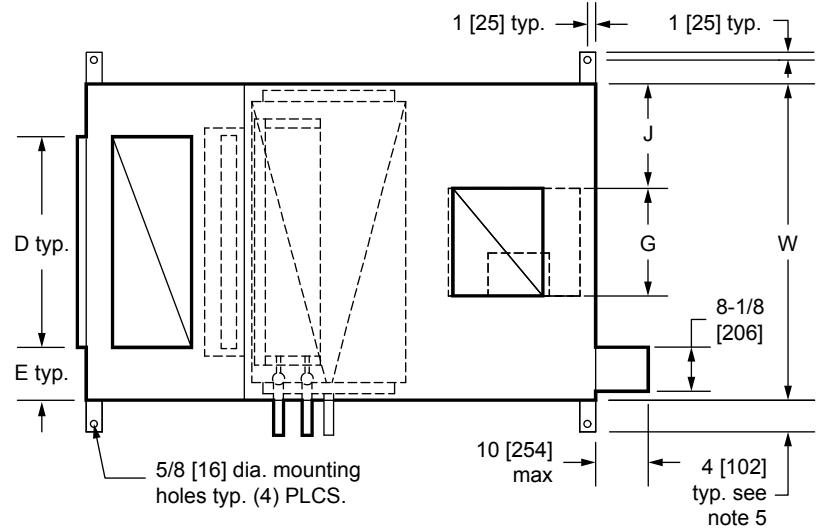
## KBHD Arr. 1 w/Mixing Box

DIRECT DRIVE BLOWER COIL UNIT  
 DISCHARGE ARG. 1 W/MIXING BOX

## SUBMITTAL SHEET

### NOTES:

1. All dimensions are in Inches [millimeters]. All dimensions are  $\pm 1/4"$  [6mm]. Metric values are soft conversion.
2. Right hand unit shown, Left hand unit opposite. Motor/drive location may be specified Left or Right Hand. Standard control enclosure location matches motor/drive position.
3. Provide sufficient clearance to permit access to controls and comply with applicable codes and ordinances.
4. See drawing BCS-KBOD-ACFR0 for filter rack details.
5. Outside and return air damper linkage is optional.
6. See coil connection detail drawings for coil connection sizes and locations.
7. High efficiency filter rack not available with mixing box.



DIMENSIONS													
UNIT SIZE	FAN SIZE	L	W	H	A	B	C	D	E	F	G	J	K
08	9 x 6 [229 x 152]	58 [1473]	30 [762]	21 [533]	40 [1016]	18 [457]	9 [229]	18 [457]	6 [152]	10 3/8 [264]	8 3/8 [213]	10 7/8 [276]	7 [178]
12	9 x 6 [229 x 152]	58 [1473]	36 [914]	21 [533]	40 [1016]	18 [457]	9 [229]	24 [610]	5 1/2 [140]	10 3/8 [264]	8 3/8 [213]	13 7/8 [352]	7 [178]
16	10 x 8 [254 x 203]	58 [1473]	44 [1118]	21 [533]	40 [1016]	18 [457]	9 [229]	30 [762]	7 [178]	11 1/2 [292]	10 5/8 [270]	16 5/8 [422]	8 [203]
20	10 x 8 [254 x 203]	61 [1549]	50 [1270]	22 1/2 [572]	40 [1016]	21 [533]	12 [305]	36 [914]	7 [178]	11 1/2 [292]	10 5/8 [270]	19 5/8 [498]	8 [203]
30	10 x 8 [254 x 203]	67 [1702]	50 [1270]	30 [762]	46 [1168]	21 [533]	12 [305]	45 [1143]	7 [178]	11 1/2 [292]	10 5/8 [270]	24 1/4 [616]	10 1/4 [260]
40	10 x 8 [254 x 203]	70 [1778]	68 [1727]	30 [762]	46 [1168]	24 [610]	15 [381]	48 [1219]	10 [254]	11 1/2 [292]	10 5/8 [270]	28 5/8 [727]	10 1/4 [260]