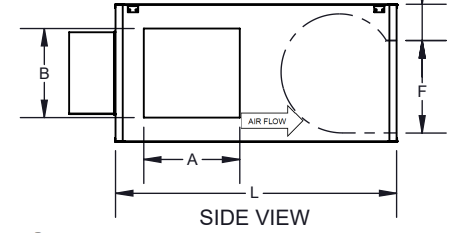
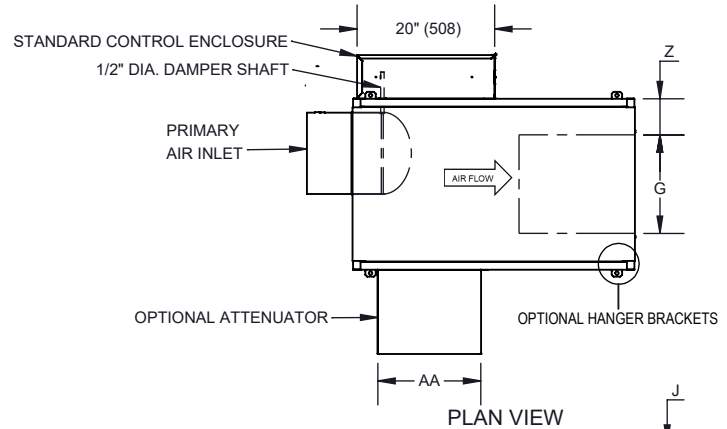
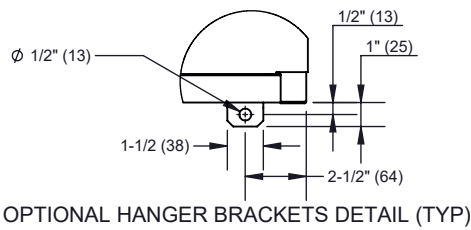
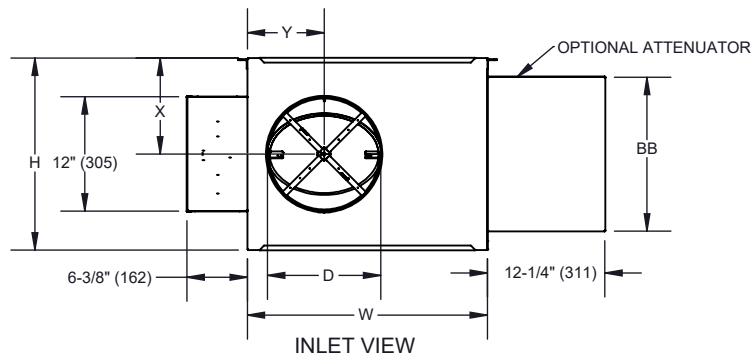


KFSS, UNIT SIZES 3 - 6

SERIES FAN POWERED TERMINAL UNIT COOLING ONLY

SUBMITTAL SHEET



STANDARD FEATURES:

- 20 Ga. galvanized steel construction.
- NEMA 1 control enclosure for electronic components.
- 1" thick dual density fiberglass insulation meeting NFPA 90A and UL 181 safety requirements.
- □ 120V □ 208V/240V □ 277V EC Motor (electronically commutated motor)
- Motor Speed Control
 - Manual Control □ 0-10Vdc Remote Control
 - 2-10Vdc Remote Control
- Removable top and bottom panels allow easy access to motor, blower and primary air damper assemblies for servicing.
- Four quadrant averaging cross flow sensor
- Left hand mounted controls shown above. Right hand units (optional) are inverted, resulting in elevation change of discharge duct.
- Discharge requires a flanged duct connection by others.
- Factory supplied 24 volt control transformer.
- ETL listed – Adherence to UL1995 and CSA C22.2 No.236.95
- AHRI certified sound ratings

OPTIONAL FEATURES:

- Liners:
 - □ 1/2" Dual density fiberglass insulation
 - □ 1/2" Cellular insulation
 - □ 1" Cellular insulation
 - □ 1/2" Foil encapsulated fiberglass insulation
 - □ 1" Foil encapsulated fiberglass insulation
 - □ Solid Metal Liner w/ 1" Dual Density Fiberglass
 - □ Perforated Metal Liner w/ 1" Dual Density Fiberglass
- Induced air filter:
 - □ 1" construction □ 1" Merv8 □ 2" Merv13
- Induced air attenuator
- Cam lock access doors
- Hanger brackets
- Electrical enclosures (see sheet 2):
 - □ Bottom facing □ 90° facing □ Remote mounted
 - Motor disconnect switch
 - Motor fusing
 - Dust tight control enclosure

Note: Dimensions are given as inches (MM)

UNIT SIZE	INLET SIZE	ECM HP	L	W	H	INDUCED AIR		AA	BB	D	DISCHARGE		J	X	Y	Z
						A	B				F	G				
3	6	1/3	41 1/8 (1045)	19 (483)	19 (483)	11 (279)	11 (279)	13 1/8 (334)	13 (330)	5 7/8 (149)	9 3/8 (238)	9 1/4 (235)	6 3/4 (172)	9 1/2 (242)	6 (152)	5 (127)
3	8	1/3	41 1/8 (1045)	19 (483)	19 (483)	11 (279)	11 (279)	13 1/8 (334)	13 (330)	7 7/8 (200)	9 3/8 (238)	9 1/4 (235)	6 3/4 (172)	9 1/2 (242)	6 (152)	5 (127)
3	10	1/3	41 1/8 (1045)	19 (483)	19 (483)	11 (279)	11 (279)	13 1/8 (334)	13 (330)	9 7/8 (251)	9 3/8 (238)	9 1/4 (235)	6 3/4 (172)	9 1/2 (242)	7 (178)	5 (127)
4	8	1/2	41 1/8 (1045)	25 (635)	19 (483)	11 (279)	11 (279)	13 1/8 (334)	13 (330)	7 7/8 (200)	10 3/8 (264)	13 1/8 (334)	7 (178)	9 1/2 (242)	6 (152)	6 (152)
4	10	1/2	41 1/8 (1045)	25 (635)	19 (483)	11 (279)	11 (279)	13 1/8 (334)	13 (330)	9 7/8 (251)	10 3/8 (264)	13 1/8 (334)	7 (178)	9 1/2 (242)	7 (178)	6 (152)
4	12	1/2	41 1/8 (1045)	25 (635)	19 (483)	11 (279)	11 (279)	13 1/8 (334)	13 (330)	11 7/8 (302)	10 3/8 (264)	13 1/8 (334)	7 (178)	9 1/2 (242)	8 (203)	6 (152)
5	8	3/4	41 1/8 (1045)	25 (635)	20 (508)	14 (356)	13 (330)	16 1/8 (410)	15 (381)	7 7/8 (200)	12 1/2 (318)	14 3/8 (365)	6 1/4 (159)	10 (254)	6 (152)	5 3/8 (137)
5	10	3/4	41 1/8 (1045)	25 (635)	20 (508)	14 (356)	13 (330)	16 1/8 (410)	15 (381)	9 7/8 (251)	12 1/2 (318)	14 3/8 (365)	6 1/4 (159)	10 (254)	7 (178)	5 3/8 (137)
5	12	3/4	41 1/8 (1045)	25 (635)	20 (508)	14 (356)	13 (330)	16 1/8 (410)	15 (381)	11 7/8 (302)	12 1/2 (318)	14 3/8 (365)	6 1/4 (159)	10 (254)	8 (203)	5 3/8 (137)
5	14	3/4	41 1/8 (1045)	25 (635)	20 (508)	14 (356)	13 (330)	16 1/8 (410)	15 (381)	13 7/8 (352)	12 1/2 (318)	14 3/8 (365)	6 1/4 (159)	10 (254)	10 (254)	5 3/8 (137)
6	10	1	41 1/8 (1045)	30 (762)	20 (508)	15 (381)	15 (381)	17 1/8 (435)	17 (432)	9 7/8 (251)	12 1/2 (318)	14 3/8 (365)	6 1/4 (159)	10 (254)	7 (178)	7 7/8 (200)
6	12	1	41 1/8 (1045)	30 (762)	20 (508)	15 (381)	15 (381)	17 1/8 (435)	17 (432)	11 7/8 (302)	12 1/2 (318)	14 3/8 (365)	6 1/4 (159)	10 (254)	8 (203)	7 7/8 (200)
6	14	1	41 1/8 (1045)	30 (762)	20 (508)	15 (381)	15 (381)	17 1/8 (435)	17 (432)	13 7/8 (352)	12 1/2 (318)	14 3/8 (365)	6 1/4 (159)	10 (254)	10 (254)	7 7/8 (200)
6	16	1	41 1/8 (1045)	30 (762)	20 (508)	15 (381)	15 (381)	17 1/8 (435)	17 (432)	15 7/8 (403)	12 1/2 (318)	14 3/8 (365)	6 1/4 (159)	10 (254)	10 1/4 (260)	7 7/8 (200)

KFSS, UNIT SIZES 3 - 6

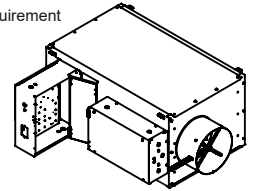
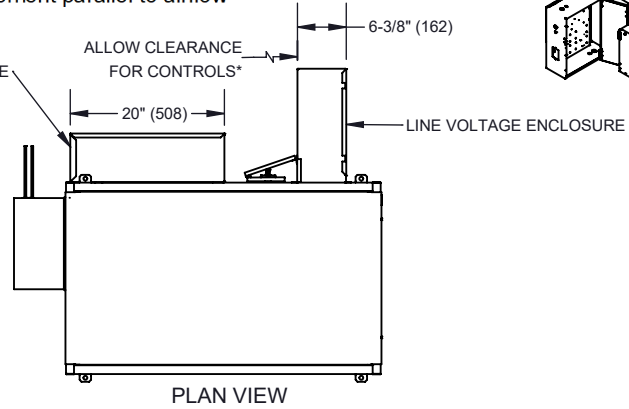
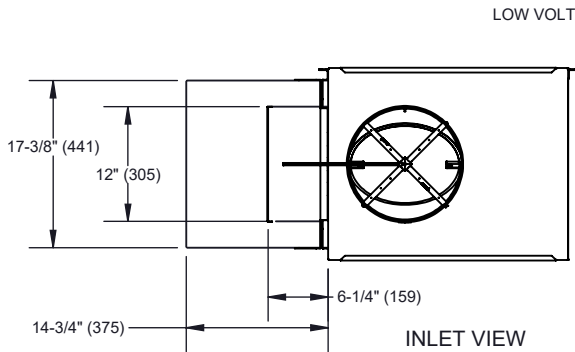
SERIES FAN POWERED TERMINAL UNIT COOLING ONLY

SUBMITTAL SHEET

90° Facing Line Voltage Enclosure

- Line voltage enclosure is mounted to direct NEC clearance requirement parallel to airflow
- Enables easier placement during design and installation.

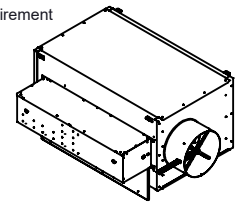
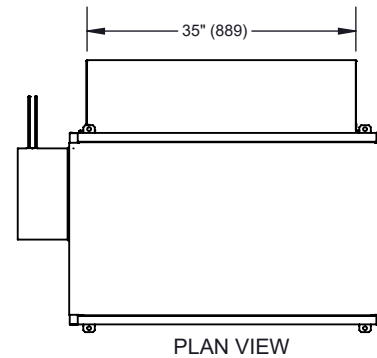
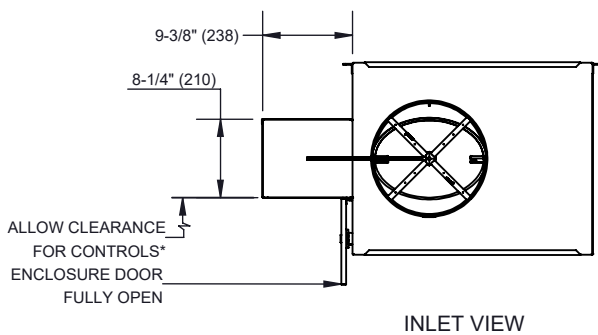
* Check NEC for unit clearance requirement



Bottom Facing Enclosure

- Electrical enclosure door opens downward and is serviceable from underneath the unit.
- Direct NEC clearance requirement below the unit (towards floor).
- Enables easier placement during design and installation.
- Easier serviceability with hard ceiling installation and limited ceiling access panels.

* Check NEC for unit clearance requirement



Remote Mounted Line Voltage Enclosure

- Line voltage enclosure is tethered to the unit by 48\" flexible conduit cable and is to be field mounted.
- Provides flexibility for the installer to place the unit in tighter ceiling spaces while maintaining NEC clearance requirement for the line voltage enclosure.

* Check NEC for unit clearance requirement

