

INTRODUCTION

The DMDR duct mounted drum louver series delivers air with extremely long throws, which makes them ideally suited for installation in large enclosures. They provide both horizontal and vertical air stream control. Controlling length of throw and its direction is made possible by the adjustable drum and vane design. The long throw is adjusted by the louver vanes while air directional control is obtained by rotating the drum. The drum rotation features angular adjustment of the jet. The drum rotation features angular adjustment of the jet. The ability to mount the DMDR directly to spiral or round duct work without the use of costly transition taps makes the DMDR ideal for exposed ceiling installations.

MODEL

DMDR - Duct mounted drum louver with radius end cap

FEATURES

- 2" louver vane spacing
- Mounts directly to spiral or round duct
- Easy finger tip adjustment
- Heavy gage aluminum construction
- Foam gasket to seal unit to duct

ACCESSORIES

- Damper/Extractor



DMDR Single Vane

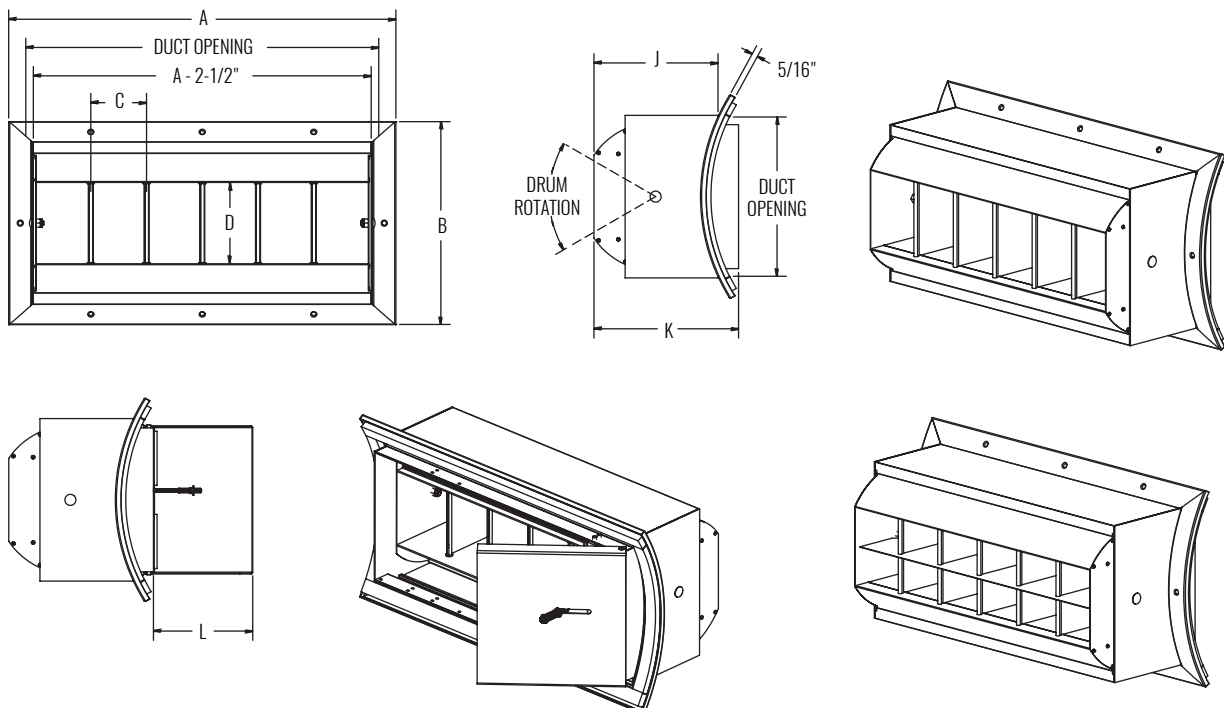


DMDR Split Vane

FINISHES

- Standard Finish is #44 British White
- Optional finishes available

DIMENSIONAL DATA



DIMENSIONAL DATA

SIZE (LxH)	B (MAX)	A	BLADE QTY ¹	BLADE QTY ²	C	D	J	K	L (MAX)	MIN DUCT DIA.	MOUNTING HOLE QTY	DUCT OPENING
12" x 04"	6 1/2"	14 7/8"	3	6	3"	2 3/8"	3 15/16"	5 1/32"	3 3/8"	8"	6	12 1/2" x 4 1/2"
18" x 04"		20 7/8"	5	9							8	18 1/2" x 4 1/2"
24" x 04"		26 7/8"	7	12							10	24 1/2" x 4 1/2"
30" x 04"		32 7/8"	9	15							12	30 1/2" x 4 1/2"
36" x 04"		38 7/8"	11	18							14	36 1/2" x 4 1/2"
42" x 04"		44 7/8"	13	21							16	42 1/2" x 4 1/2"
48" x 04"		50 7/8"	15	24							18	48 1/2" x 4 1/2"
60" x 04"		62 7/8"	19	30							20	60 1/2" x 4 1/2"
12" x 06"	8 1/2"	14 7/8"	3	6	3"	3 3/8"	4 5/32"	5 9/32"	4 1/32"	10"	6	12 1/2" x 6 1/2"
18" x 06"		20 7/8"	5	9							8	18 1/2" x 6 1/2"
24" x 06"		26 7/8"	7	12							10	24 1/2" x 6 1/2"
30" x 06"		32 7/8"	9	15							12	30 1/2" x 6 1/2"
36" x 06"		38 7/8"	11	18							14	36 1/2" x 6 1/2"
42" x 06"		44 7/8"	13	21							16	42 1/2" x 6 1/2"
48" x 06"		50 7/8"	15	24							18	48 1/2" x 6 1/2"
60" x 06"		62 7/8"	19	30							20	60 1/2" x 6 1/2"
12" x 08"	10 1/2"	14 7/8"	3	6	3"	4 3/8"	5 5/8"	6 3/4"	5 11/32"	14"	6	12 1/2" x 8 1/2"
18" x 08"		20 7/8"	5	9							8	18 1/2" x 8 1/2"
24" x 08"		26 7/8"	7	12							10	24 1/2" x 8 1/2"
30" x 08"		32 7/8"	9	15							12	30 1/2" x 8 1/2"
36" x 08"		38 7/8"	11	18							14	38 1/2" x 8 1/2"
42" x 08"		44 7/8"	13	21							16	42 1/2" x 8 1/2"
48" x 08"		50 7/8"	15	24							18	48 1/2" x 8 1/2"
60" x 08"		62 7/8"	19	30							20	60 1/2" x 8 1/2"
12" x 10"	12 1/2"	14 7/8"	2	6	5"	5 7/8"	7 1/8"	8 7/32"	6 21/32"	14"	6	12 1/2" x 10 1/2"
18" x 10"		20 7/8"	3	9							8	18 1/2" x 10 1/2"
24" x 10"		26 7/8"	4	12							10	24 1/2" x 10 1/2"
30" x 10"		32 7/8"	5	15							12	30 1/2" x 10 1/2"
36" x 10"		38 7/8"	6	18							14	38 1/2" x 10 1/2"
42" x 10"		44 7/8"	8	21							16	42 1/2" x 10 1/2"
48" x 10"		50 7/8"	9	24							18	48 1/2" x 10 1/2"
60" x 10"		62 7/8"	11	30							20	60 1/2" x 10 1/2"
12" x 12"	14 1/2"	14 7/8"	2	6	5"	6 7/8"	7 13/16"	8 29/32"	7 31/32"	18"	6	12 1/2" x 12 1/2"
18" x 12"		20 7/8"	3	9							8	18 1/2" x 12 1/2"
24" x 12"		26 7/8"	4	12							10	24 1/2" x 12 1/2"
30" x 12"		32 7/8"	5	15							12	30 1/2" x 12 1/2"
36" x 12"		38 7/8"	6	18							14	38 1/2" x 12 1/2"
42" x 12"		44 7/8"	8	21							16	42 1/2" x 12 1/2"
48" x 12"		50 7/8"	9	24							18	48 1/2" x 12 1/2"
60" x 12"		62 7/8"	11	30							20	60 1/2" x 12 1/2"
15" x 15"	17 1/2"	14 7/8"	2	6	5"	9 13/16"	8 13/32"	9 1/2"	10 11/16"	28"	6	12 1/2" x 15 1/2"
18" x 15"		20 7/8"	3	9							8	18 1/2" x 15 1/2"
24" x 15"		26 7/8"	4	12							10	24 1/2" x 15 1/2"
30" x 15"		32 7/8"	5	15							12	30 1/2" x 15 1/2"
36" x 15"		38 7/8"	6	18							14	38 1/2" x 15 1/2"
42" x 15"		44 7/8"	8	21							16	42 1/2" x 15 1/2"
48" x 15"		50 7/8"	9	24							18	48 1/2" x 15 1/2"
60" x 15"		62 7/8"	11	30							20	60 1/2" x 15 1/2"

NOTES: Minimum duct diameters for each unit height are listed. Diameters may be specified in 2" increments to a maximum duct diameter of 36". Unit may be selected with C¹ or C² blade spacing