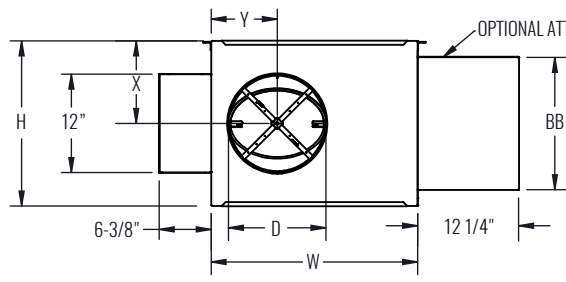
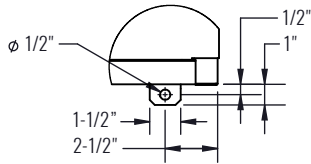


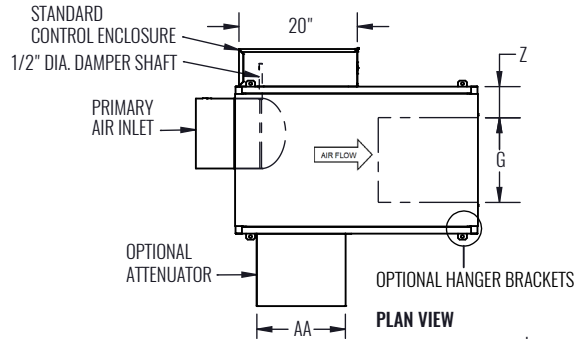
**DIMENSIONAL DATA | SIZE 3 - 6 | BASE UNIT**



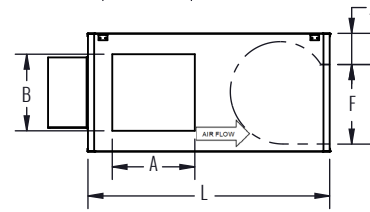
INLET VIEW



OPTIONAL HANGER BRACKETS DETAIL (TYP)



PLAN VIEW



SIDE VIEW

UNIT SIZE	INLET SIZE	ECM HP	L	W	H	INDUCED AIR		AA	BB	D	DISCHARGE		J	X	Y	Z
						A	B				F	G				
3	6	1/3	41-1/8"	19"	19"	11"	11"	13-1/8"	13"	5-7/8"	9-3/8"	9-1/4"	6-3/4"	9-1/2"	6"	5"
3	8	1/3	41-1/8"	19"	19"	11"	11"	13-1/8"	13"	7-7/8"	9-3/8"	9-1/4"	6-3/4"	9-1/2"	6"	5"
3	10	1/3	41-1/8"	19"	19"	11"	11"	13-1/8"	13"	9-7/8"	9-3/8"	9-1/4"	6-3/4"	9-1/2"	7"	5"
4	8	1/2	41-1/8"	25"	19"	11"	11"	13-1/8"	13"	7-7/8"	10-3/8"	13-1/8"	7"	9-1/2"	6"	6"
4	10	1/2	41-1/8"	25"	19"	11"	11"	13-1/8"	13"	9-7/8"	10-3/8"	13-1/8"	7"	9-1/2"	7"	6"
4	12	1/2	41-1/8"	25"	19"	11"	11"	13-1/8"	13"	11-7/8"	10-3/8"	13-1/8"	7"	9-1/2"	8"	6"
5	8	3/4	41-1/8"	25"	20"	14"	13"	16-1/8"	15"	7-7/8"	12-1/2"	14-3/8"	6-1/4"	10"	6"	5-3/8"
5	10	3/4	41-1/8"	25"	20"	14"	13"	16-1/8"	15"	9-7/8"	12-1/2"	14-3/8"	6-1/4"	10"	7"	5-3/8"
5	12	3/4	41-1/8"	25"	20"	14"	13"	16-1/8"	15"	11-7/8"	12-1/2"	14-3/8"	6-1/4"	10"	8"	5-3/8"
5	14	3/4	41-1/8"	25"	20"	14"	13"	16-1/8"	15"	13-7/8"	12-1/2"	14-3/8"	6-1/4"	10"	10"	5-3/8"
6	10	1	41-1/8"	30"	20"	15"	15"	17-1/8"	17"	9-7/8"	12-1/2"	14-3/8"	6-1/4"	10"	7"	7-7/8"
6	12	1	41-1/8"	30"	20"	15"	15"	17-1/8"	17"	11-7/8"	12-1/2"	14-3/8"	6-1/4"	10"	8"	7-7/8"
6	14	1	41-1/8"	30"	20"	15"	15"	17-1/8"	17"	13-7/8"	12-1/2"	14-3/8"	6-1/4"	10"	10"	7-7/8"
6	16	1	41-1/8"	30"	20"	15"	15"	17-1/8"	17"	15-7/8"	12-1/2"	14-3/8"	6-1/4"	10"	10-1/4"	7-7/8"

NOTES: Left-hand mounted controls shown above; right hand units (optional) are inverted, resulting in elevation change of discharge duct.

**STANDARD FEATURES**

- 20 Ga. galvanized steel construction
- NEMA 1 control enclosure for electronic components
- 1" thick dual density fiberglass insulation meeting NFPA 90A and UL 181 safety requirements
- 120V, 8V/240V, 277V EC motor (electronically commutated motor)
- Motor Speed Control: manual control, 0-10Vdc remote control, 2-10Vdc remote control
- Removable top and bottom panels allow easy access to motor, blower and primary air damper assemblies for servicing
- Four quadrant averaging cross flow sensor
- Discharge requires a flanged duct connection by others
- Factory supplied 24 volt control transformer
- ETL listed; adherence to UL1995 and CSA C22.2 No.236.95
- AHRI certified sound ratings

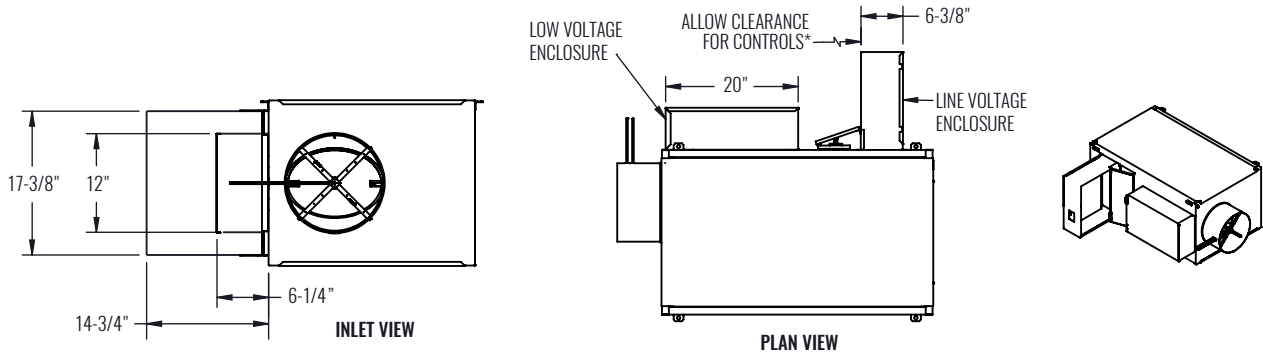
**OPTIONAL FEATURES**

- Liners: 1/2" dual density fiberglass, 1/2" cellular, 1" cellular, 1/2" foil encapsulated fiberglass, 1" foil encapsulated fiberglass, solid metal liner with 1" dual density fiberglass, perforated metal liner with 1" dual density fiberglass
- Induced air filter: 1" construction, 1" MERV 8, 2" MERV 13
- Induced air attenuator
- Cam lock access doors
- Hanger brackets
- Electrical enclosures: bottom facing, 90° facing, remote mounted
- Motor disconnect switch
- Motor fusing
- Dust tight control enclosure

## DIMENSIONAL DATA | SIZE 3 - 6 | BASE UNIT CONTROL ENCLOSURE OPTIONS

### 90° FACING LINE VOLTAGE ENCLOSURE

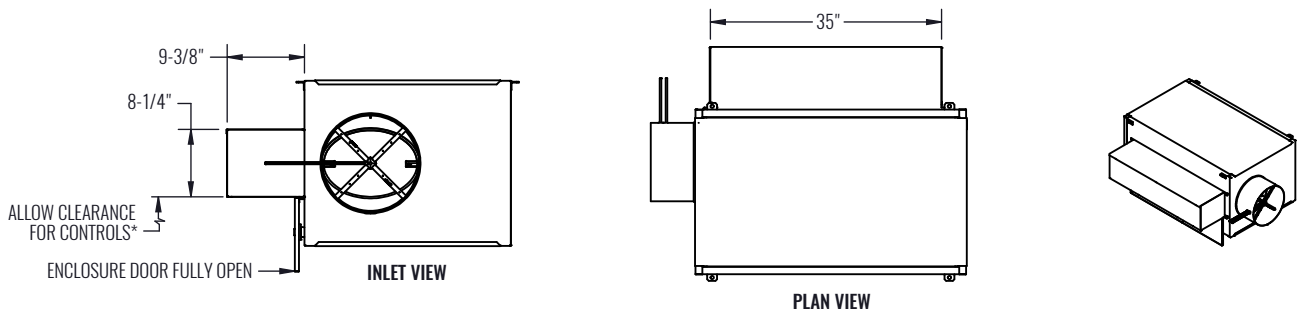
- Line voltage enclosure is mounted to direct NEC clearance requirement parallel to airflow.
- Enables easier placement during design and installation.



\* Check NEC for unit clearance requirements.

### BOTTOM FACING ENCLOSURE

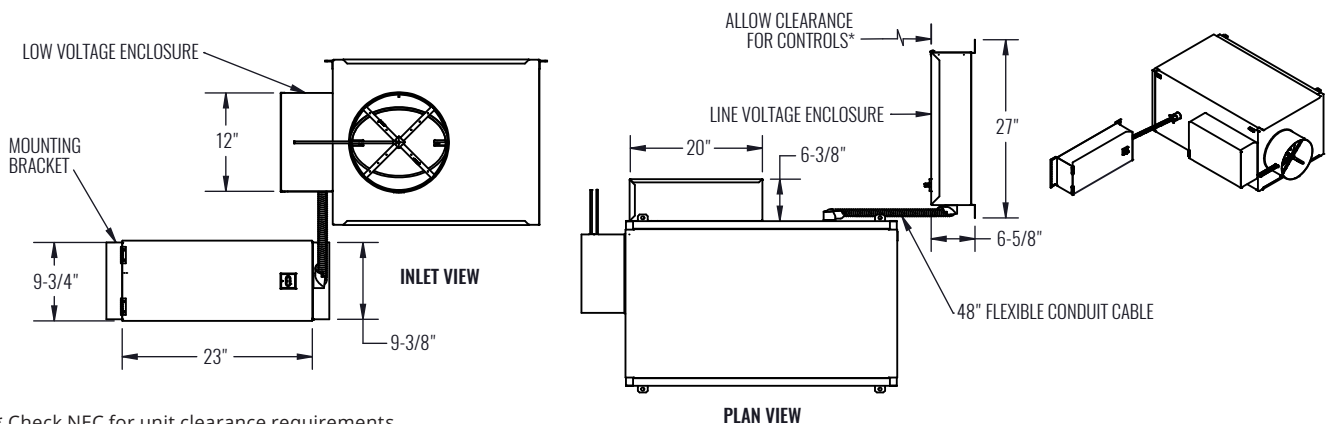
- Electrical enclosure door opens downward and is serviceable from underneath the unit.
- Direct NEC clearance requirement below the unit (towards the floor).
- Enables easier placement during design and installation.
- Easier serviceability with hard ceiling installation and limited ceiling access panels



\* Check NEC for unit clearance requirements.

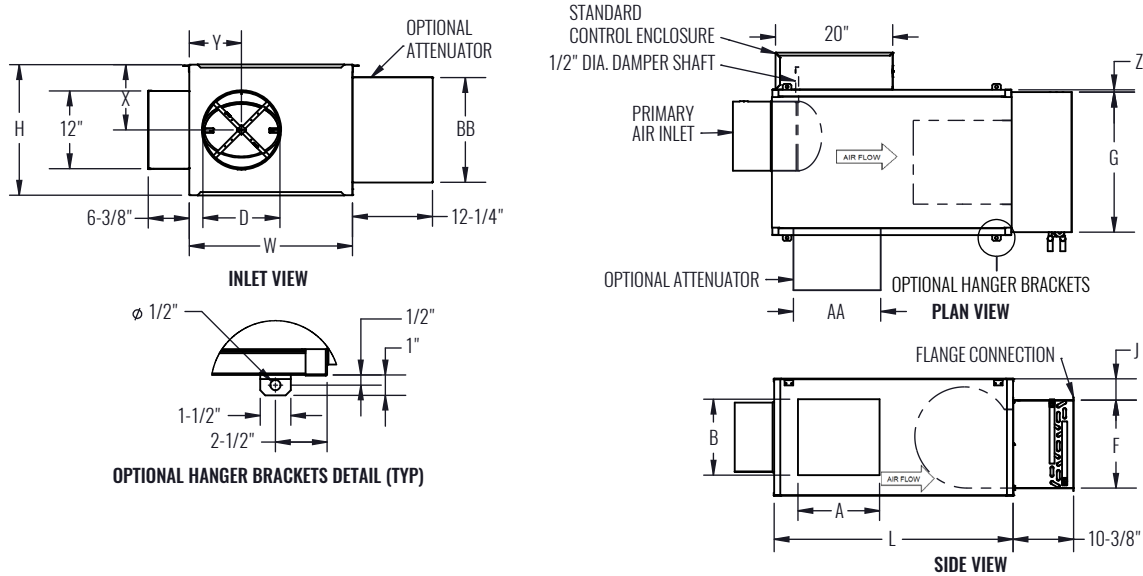
### REMOTE MOUNTED LINE VOLTAGE ENCLOSURE

- Line voltage enclosure is tethered to the unit by 48" flexible conduit cable and is to be field mounted.
- Provides flexibility for the installer to place the unit in tighter ceiling spaces while maintaining NEC clearance requirement for the line voltage enclosure.



\* Check NEC for unit clearance requirements.

**DIMENSIONAL DATA | SIZE 3 - 6 | BASE UNIT WITH HOT WATER HEAT**



UNIT SIZE	INLET SIZE	ECM HP	L	W	H	INDUCED AIR		AA	BB	D	DISCHARGE		J	X	Y	Z
						A	B				F	G				
3	6	1/3	41-1/8"	19"	19"	11"	11"	13-1/8"	13"	5-7/8"	12-1/2"	15"	5"	9-1/2"	6"	1"
3	8	1/3	41-1/8"	19"	19"	11"	11"	13-1/8"	13"	7-7/8"	12-1/2"	15"	5"	9-1/2"	6"	1"
3	10	1/3	41-1/8"	19"	19"	11"	11"	13-1/8"	13"	9-7/8"	12-1/2"	15"	5"	9-1/2"	7"	1"
4	8	1/2	41-1/8"	25"	19"	11"	11"	13-1/8"	13"	7-7/8"	15"	22"	5-1/4"	9-1/2"	6"	2"
4	10	1/2	41-1/8"	25"	19"	11"	11"	13-1/8"	13"	9-7/8"	15"	22"	5-1/4"	9-1/2"	7"	2"
4	12	1/2	41-1/8"	25"	19"	11"	11"	13-1/8"	13"	11-7/8"	15"	22"	5-1/4"	9-1/2"	8"	2"
5	8	3/4	41-1/8"	25"	20"	14"	13"	16-1/8"	15"	7-7/8"	15"	22"	3-1/2"	10"	6"	1/2"
5	10	3/4	41-1/8"	25"	20"	14"	13"	16-1/8"	15"	9-7/8"	15"	22"	3-1/2"	10"	7"	1/2"
5	12	3/4	41-1/8"	25"	20"	14"	13"	16-1/8"	15"	11-7/8"	15"	22"	3-1/2"	10"	8"	1/2"
5	14	3/4	41-1/8"	25"	20"	14"	13"	16-1/8"	15"	13-7/8"	15"	22"	3-1/2"	10"	10"	1/2"
6	10	1	41-1/8"	30"	20"	15"	15"	17-1/8"	17"	9-7/8"	15"	22"	3-1/2"	10"	7"	3"
6	12	1	41-1/8"	30"	20"	15"	15"	17-1/8"	17"	11-7/8"	15"	22"	3-1/2"	10"	8"	3"
6	14	1	41-1/8"	30"	20"	15"	15"	17-1/8"	17"	13-7/8"	15"	22"	3-1/2"	10"	10"	3"
6	16	1	41-1/8"	30"	20"	15"	15"	17-1/8"	17"	15-7/8"	15"	22"	3-1/2"	10"	10-1/4"	3"

NOTES: Left-hand mounted controls shown above; right hand units (optional) are inverted, resulting in elevation change of discharge duct.

**STANDARD FEATURES**

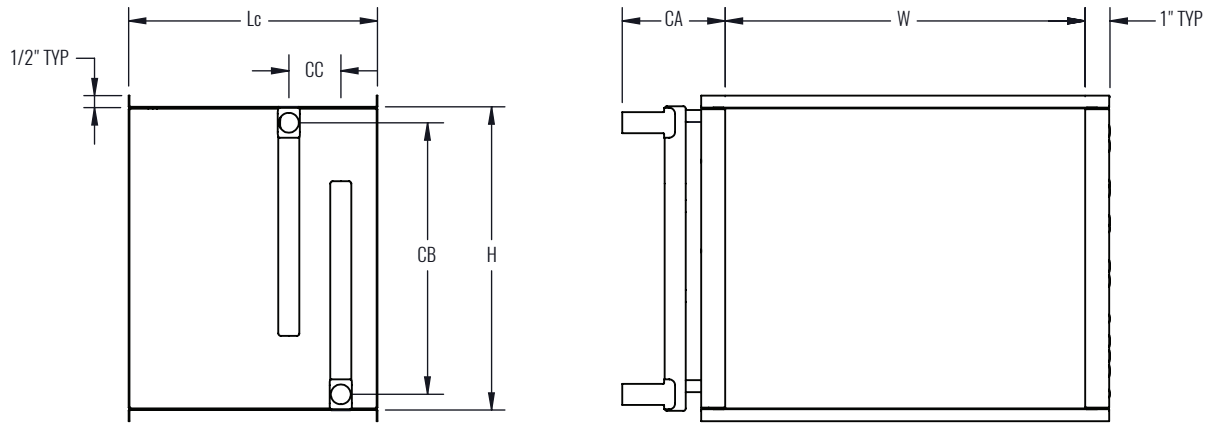
- 20 gage galvanized steel construction
- NEMA 1 control enclosure for electronic components
- 1" thick dual density fiberglass insulation meeting NFPA 90A and UL 181 safety requirements
- 120V, 8V/240V, 277V EC motor (electronically commutated motor)
- Motor Speed Control: manual control, 0-10Vdc remote control, 2-10Vdc remote control
- Removable top and bottom panels allow easy access to motor, blower and primary air damper assemblies for servicing
- Four quadrant averaging cross flow sensor
- Discharge requires a flanged duct connection by others
- Factory supplied 24 volt control transformer
- ETL listed; adherence to UL1995 and CSA C22.2 No.236.95
- AHRI certified sound ratings

**OPTIONAL FEATURES**

- Liners: 1/2" dual density fiberglass, 1/2" cellular, 1" cellular, 1/2" foil encapsulated fiberglass, 1" foil encapsulated fiberglass, solid metal liner with 1" dual density fiberglass, perforated metal liner with 1" dual density fiberglass
- Induced air filter: 1" construction, 1" MERV 8, 2" MERV 13
- Induced air attenuator
- Cam lock access doors
- Hanger brackets
- Electrical enclosures: bottom facing, 90° facing, remote mounted
- Motor disconnect switch
- Motor fusing
- Dust tight control enclosure

TERMINAL UNITS | FAN POWERED

## DIMENSIONAL DATA | SIZE 3 - 6 | HEATING WATER COIL



UNIT SIZE	ROWS	H	W	Lc	CA	CB	CC	O.D. WATER CONNECTION
3	1	12-1/2"	15"	8"	3"	11-1/4"	--	5/8"
	2	12-1/2"	15"	9-1/8"	2-5/8"	11-1/4"	--	5/8"
	3	12-1/2"	15"	10-3/8"	4-1/4"	11-3/8"	2-1/4"	7/8"
	4	12-1/2"	15"	11-1/2"	4-1/4"	11-1/4"	3-1/4"	7/8"
4, 5, 6	1	15"	22"	8"	3"	13-3/4"	--	5/8"
	2	15"	22"	9-1/8"	2-5/8"	13-3/4"	--	5/8"
	3	15"	22"	10-3/8"	4-1/4"	13-3/8"	2-1/4"	7/8"
	4	15"	22"	11-1/2"	4-1/4"	13-7/8"	3-1/4"	7/8"

### STANDARD FEATURES

- Shipped from the factory attached to the unit discharge
- Coils are leak tested to 400 psi
- 1" flanges for attached discharge ductwork
- Coil section is uninsulated
- Coil Casing - 20 gage galvanized steel
- Connection Tubing - 0.032" thick copper (see O.D. connection diameter in table)
- Coil Tubing - 1/2" diameter x 0.016" thick copper
- Coil Fins - 0.0045" thick aluminum, 10 FPI; mechanically bonded to tubing
- Coils are not for steam application

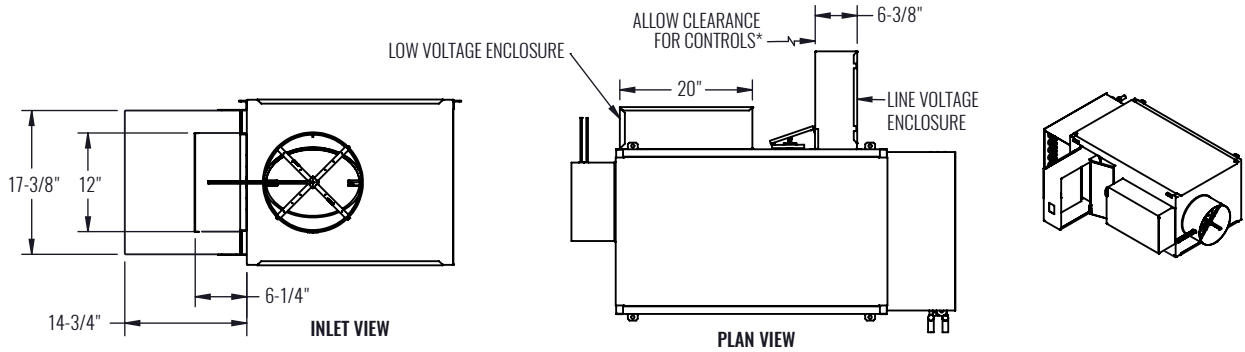
### OPTIONAL FEATURES

- 12 FPI, 0.0045" thick aluminum fins, mechanically bonded to tubing
- Access door for cleaning and servicing
- Air vent and drain ports

**DIMENSIONAL DATA | SIZE 3 - 6 | BASE UNIT WITH HOT WATER HEAT | CONTROL ENCLOSURE OPTIONS**

**90° FACING LINE VOLTAGE ENCLOSURE**

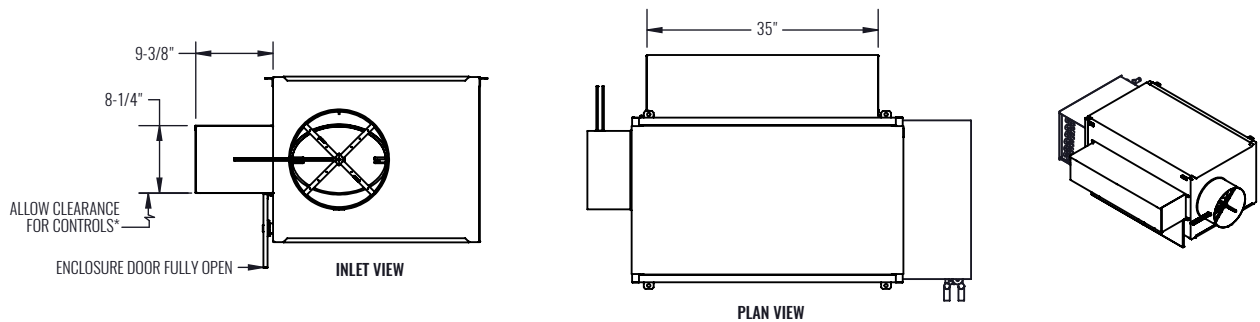
- Line voltage enclosure is mounted to direct NEC clearance requirement parallel to airflow.
- Enables easier placement during design and installation.



\* Check NEC for unit clearance requirements.

**BOTTOM FACING ENCLOSURE**

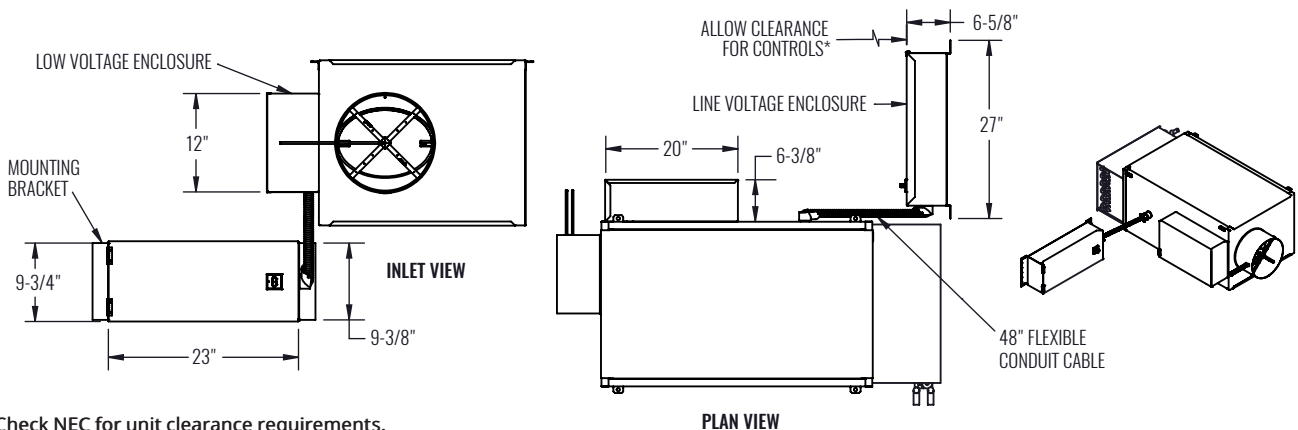
- Electrical enclosure door opens downward and is serviceable from underneath the unit.
- Direct NEC clearance requirement below the unit (towards the floor).
- Enables easier placement during design and installation.
- Easier serviceability with hard ceiling installation and limited ceiling access panels



\* Check NEC for unit clearance requirements.

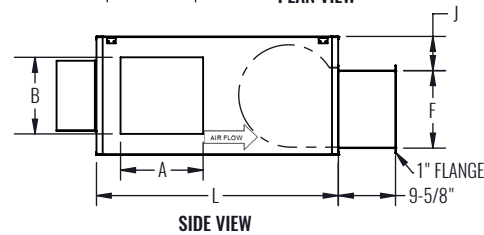
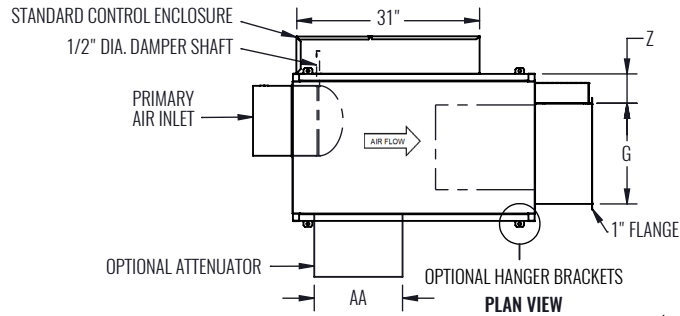
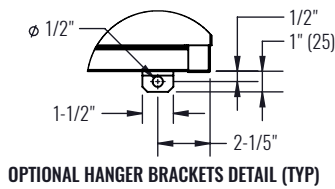
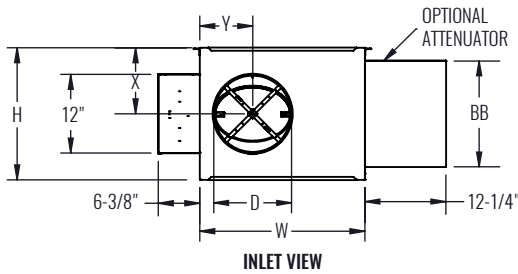
**REMOTE MOUNTED LINE VOLTAGE ENCLOSURE**

- Line voltage enclosure is tethered to the unit by 48" flexible conduit cable and is to be field mounted.
- Provides flexibility for the installer to place the unit in tighter ceiling spaces while maintaining NEC clearance requirement for the line voltage enclosure.



\* Check NEC for unit clearance requirements.

## DIMENSIONAL DATA | SIZE 3 - 6 | BASE UNIT WITH ELECTRIC HEAT



UNI SIZE	INLET SIZE	ECM HP	L	W	H	INDUCED AIR		AA	BB	D	DISCHARGE		J	X	Y	Z
						A	B				F	G				
3	6	1/3	41-1/8"	19"	19"	11"	11"	13-1/8"	13"	5-7/8"	12"	11"	4"	9-1/2"	6"	4-1/2"
3	8	1/3	41-1/8"	19"	19"	11"	11"	13-1/8"	13"	7-7/8"	12"	11"	4"	9-1/2"	6"	4-1/2"
3	10	1/3	41-1/8"	19"	19"	11"	11"	13-1/8"	13"	9-7/8"	12"	11"	4"	9-1/2"	7"	4-1/2"
4	8	1/2	41-1/8"	25"	19"	11"	11"	13-1/8"	13"	7-7/8"	13"	15"	4-1/4"	9-1/2"	6"	5-3/8"
4	10	1/2	41-1/8"	25"	19"	11"	11"	13-1/8"	13"	9-7/8"	13"	15"	4-1/4"	9-1/2"	7"	5-3/8"
4	12	1/2	41-1/8"	25"	19"	11"	11"	13-1/8"	13"	11-7/8"	13"	15"	4-1/4"	9-1/2"	8"	5-3/8"
5	8	3/4	41-1/8"	25"	20"	14"	13"	16-1/8"	15"	7-7/8"	13-1/8"	17"	5-7/8"	10"	6"	5"
5	10	3/4	41-1/8"	25"	20"	14"	13"	16-1/8"	15"	9-7/8"	13-1/8"	17"	5-7/8"	10"	7"	5"
5	12	3/4	41-1/8"	25"	20"	14"	13"	16-1/8"	15"	11-7/8"	13-1/8"	17"	5-7/8"	10"	8"	5"
5	14	3/4	41-1/8"	25"	20"	14"	13"	16-1/8"	15"	13-7/8"	13-1/8"	17"	5-7/8"	10"	10"	5"
6	10	1	41-1/8"	30"	20"	15"	15"	17-1/8"	17"	9-7/8"	13-1/8"	17"	5-7/8"	10"	7"	7-3/8"
6	12	1	41-1/8"	30"	20"	15"	15"	17-1/8"	17"	11-7/8"	13-1/8"	17"	5-7/8"	10"	8"	7-3/8"
6	14	1	41-1/8"	30"	20"	15"	15"	17-1/8"	17"	13-7/8"	13-1/8"	17"	5-7/8"	10"	10"	7-3/8"
6	16	1	41-1/8"	30"	20"	15"	15"	17-1/8"	17"	15-7/8"	13-1/8"	17"	5-7/8"	10"	10-1/4"	7-3/8"

NOTES: Left-hand mounted controls shown above; right hand units (optional) are inverted, resulting in elevation change of discharge duct.

### STANDARD FEATURES

- 20 gage galvanized steel construction
- NEMA 1 control enclosure for electronic components
- 1" thick dual density fiberglass insulation meeting NFPA 90A and UL 181 safety requirements
- 120V, 8V/240V, 277V EC motor (electronically commutated motor)
- Motor Speed Control: manual control, 0-10Vdc remote control, 2-10Vdc remote control
- Removable top and bottom panels allow easy access to motor, blower and primary air damper assemblies for servicing
- Four quadrant averaging cross flow sensor
- Discharge requires a flanged duct connection by others
- Factory supplied 24 volt control transformer
- ETL listed; adherence to UL1995 and CSA C22.2 No.236.95
- AHRI certified sound ratings

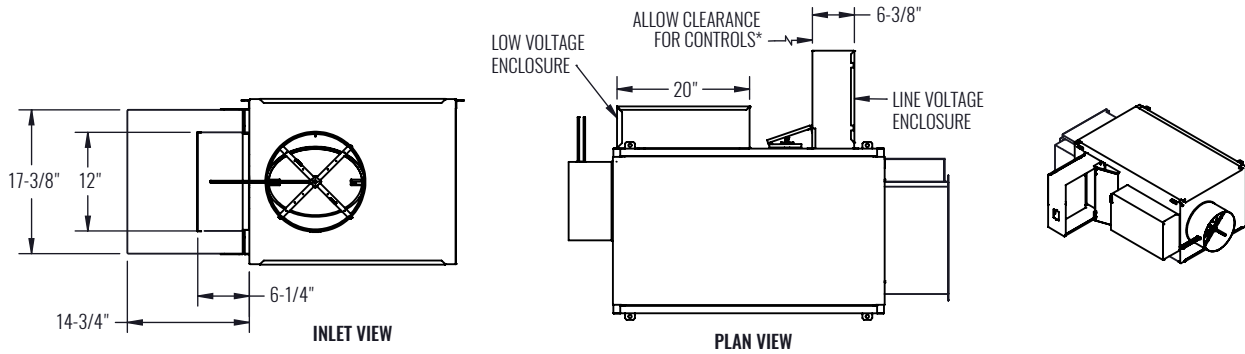
### OPTIONAL FEATURES

- Liners: 1/2" dual density fiberglass, 1/2" cellular, 1" cellular, 1/2" foil encapsulated fiberglass, 1" foil encapsulated fiberglass, solid metal liner with 1" dual density fiberglass, perforated metal liner with 1" dual density fiberglass
- Induced Air Filter: 1" construction, 1" MERV 8, 2" MERV 13
- Induced air attenuator
- Cam lock access doors
- Hanger brackets
- Electrical Enclosures: bottom facing, 90° facing, remote mounted
- Door-interlocking disconnect switch: fused or non-fused
- LineaHeat controlled SSR heat
  - Discharge temperature sensor
- 24 VAC solid state relays
- Motor fusing
- Dust tight control enclosure

**DIMENSIONAL DATA | SIZE 3 - 6 | BASE UNIT WITH ELECTRIC HEAT | CONTROL ENCLOSURE OPTIONS**

**90° FACING LINE VOLTAGE ENCLOSURE**

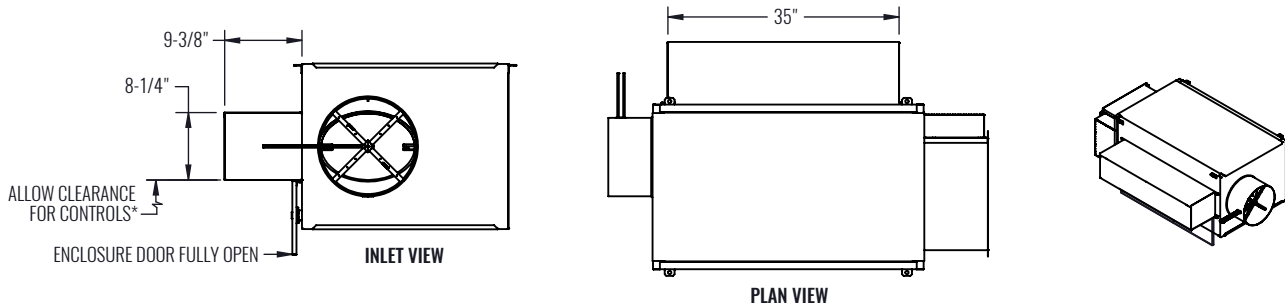
- Line voltage enclosure is mounted to direct NEC clearance requirement parallel to airflow.
- Enables easier placement during design and installation.



\* Check NEC for unit clearance requirements.

**BOTTOM FACING ENCLOSURE**

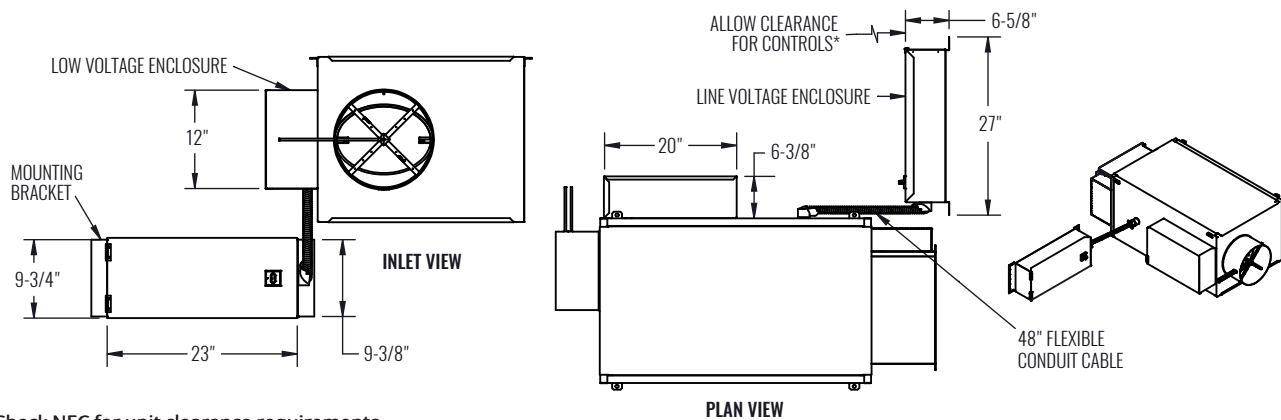
- Electrical enclosure door opens downward and is serviceable from underneath the unit.
- Direct NEC clearance requirement below the unit (towards the floor).
- Enables easier placement during design and installation.
- Easier serviceability with hard ceiling installation and limited ceiling access panels



\* Check NEC for unit clearance requirements.

**REMOTE MOUNTED LINE VOLTAGE ENCLOSURE**

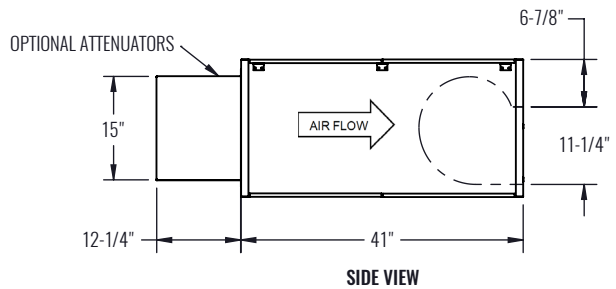
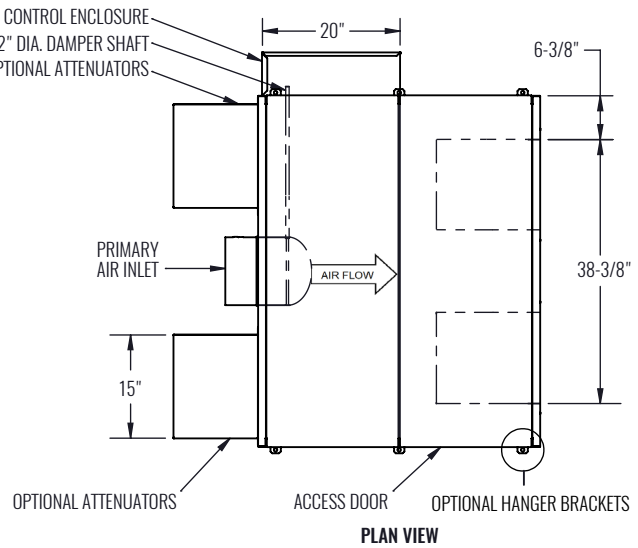
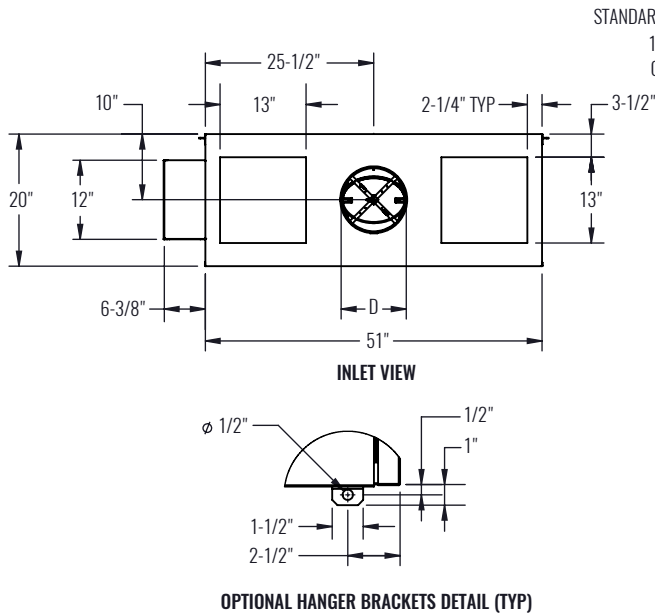
- Line voltage enclosure is tethered to the unit by 48" flexible conduit cable and is to be field mounted.
- Provides flexibility for the installer to place the unit in tighter ceiling spaces while maintaining NEC clearance requirement for the line voltage enclosure.



\* Check NEC for unit clearance requirements.

TERMINAL UNITS | FAN POWERED

## DIMENSIONAL DATA | SIZE 7 | BASE UNIT



UNIT SIZE	INLET SIZE	ECM HP	D
7	10	(2) 3/4	9-7/8"
	12	(2) 3/4	11-7/8"
	14	(2) 3/4	13-7/8"
	16	(2) 3/4	15-7/8"

NOTES: Left-hand mounted controls shown above; right hand units (optional) are inverted, resulting in elevation change of discharge duct.

### STANDARD FEATURES

- 20 gage galvanized steel construction
- NEMA 1 control enclosure for electronic components
- 1" thick dual density fiberglass insulation meeting NFPA 90A and UL 181 safety requirements
- 120V, 8V/240V, 277V EC motor (electronically commutated motor)
- Motor Speed Control: manual control, 0-10Vdc remote control, 2-10Vdc remote control
- Removable top and bottom panels allow easy access to motor, blower and primary air damper assemblies for servicing
- Four quadrant averaging cross flow sensor
- Discharge requires a flanged duct connection by others
- Factory supplied 24 volt control transformer
- ETL listed; adherence to UL1995 and CSA C22.2 No.236.95
- AHRI certified sound ratings

### OPTIONAL FEATURES

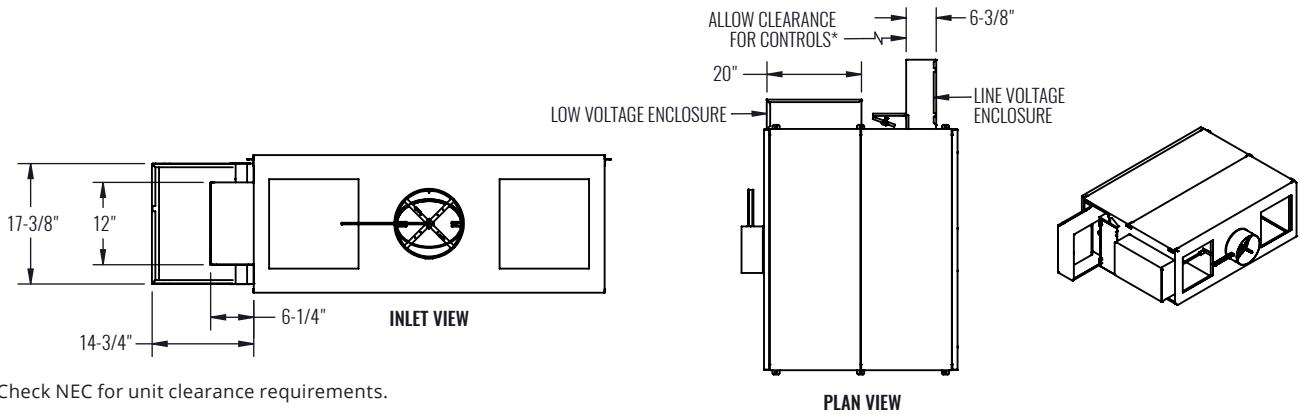
- Liners: 1/2" dual density fiberglass, 1/2" cellular, 1" cellular, 1/2" foil encapsulated fiberglass, 1" foil encapsulated fiberglass, solid metal liner with 1" dual density fiberglass, perforated metal liner with 1" dual density fiberglass
- Induced air filter: 1" construction, 1" MERV 8, 2" MERV 13
- Induced air attenuator
- Cam lock access doors
- Hanger brackets
- Electrical enclosures: bottom facing, 90° facing, remote mounted
- Motor disconnect switch
- Motor fusing
- Dust tight control enclosure



**DIMENSIONAL DATA | SIZE 7 | BASE UNIT CONTROL ENCLOSURE OPTIONS**

**90° FACING LINE VOLTAGE ENCLOSURE**

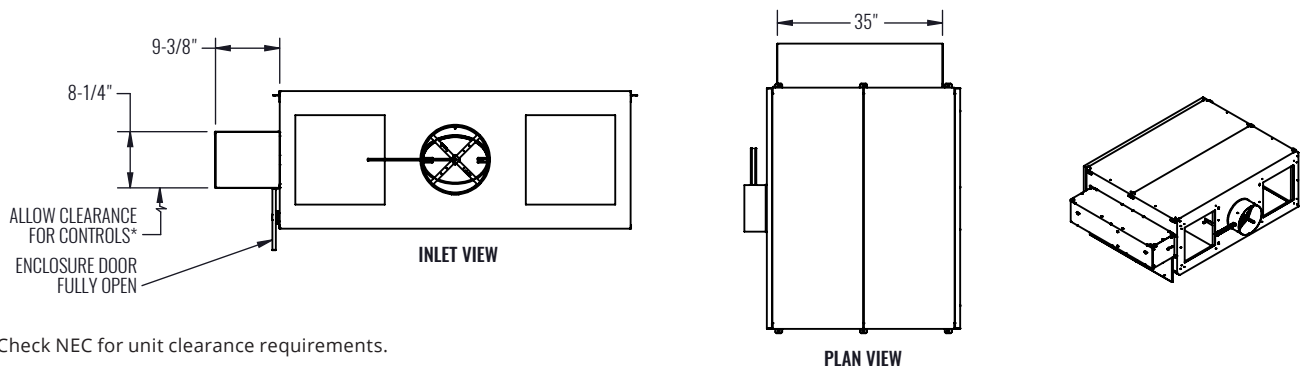
- Line voltage enclosure is mounted to direct NEC clearance requirement parallel to airflow.
- Enables easier placement during design and installation.



\* Check NEC for unit clearance requirements.

**BOTTOM FACING ENCLOSURE**

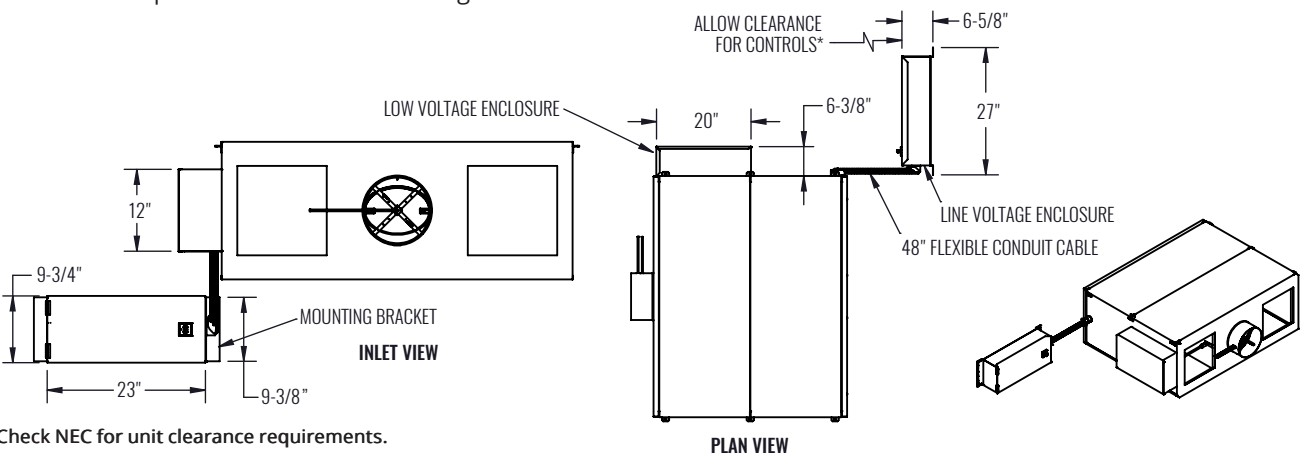
- Electrical enclosure door opens downward and is serviceable from underneath the unit.
- Direct NEC clearance requirement below the unit (towards the floor).
- Enables easier placement during design and installation.
- Easier serviceability with hard ceiling installation and limited ceiling access panels



\* Check NEC for unit clearance requirements.

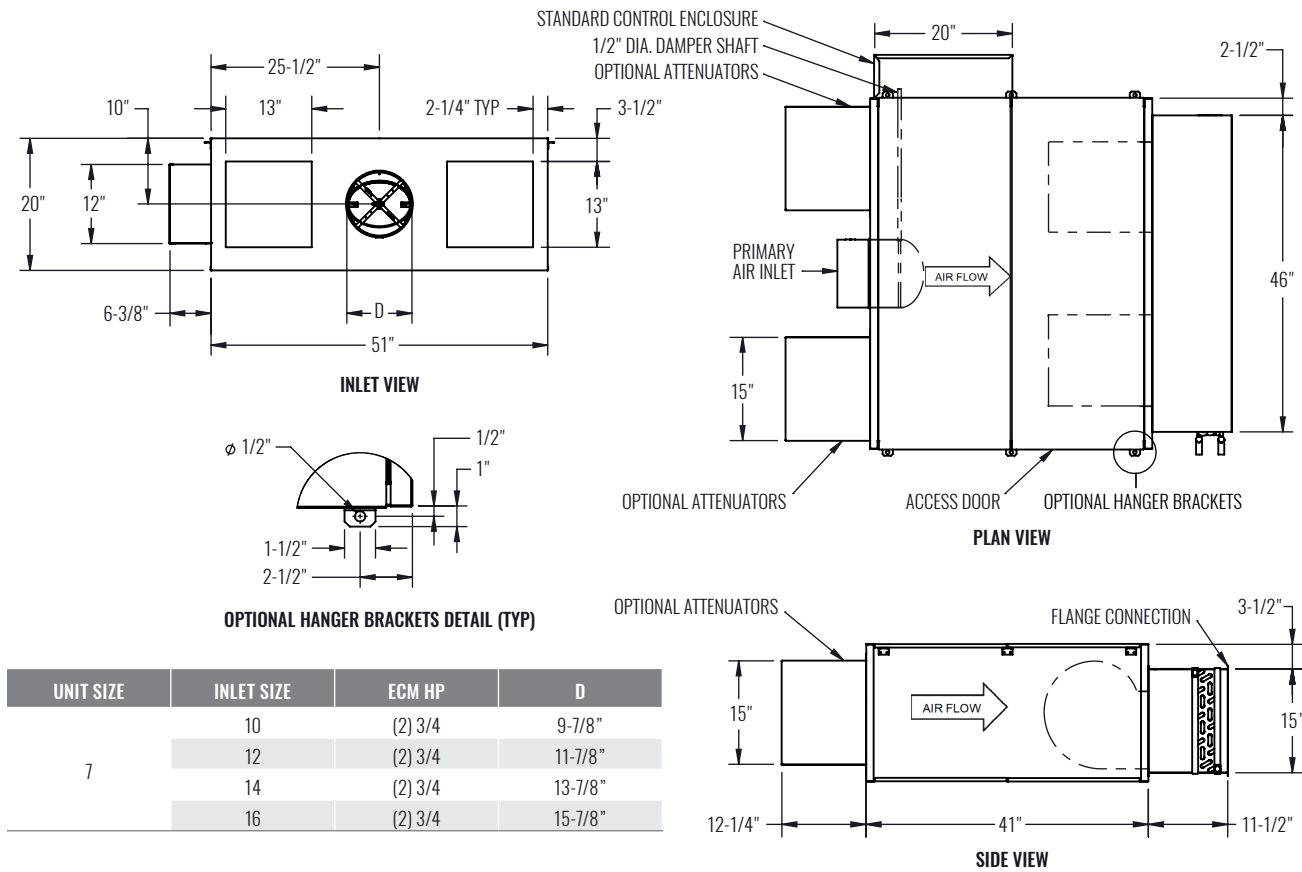
**REMOTE MOUNTED LINE VOLTAGE ENCLOSURE**

- Line voltage enclosure is tethered to the unit by 48" flexible conduit cable and is to be field mounted.
- Provides flexibility for the installer to place the unit in tighter ceiling spaces while maintaining NEC clearance requirement for the line voltage enclosure.



\* Check NEC for unit clearance requirements.

## DIMENSIONAL DATA | SIZE 7 | BASE UNIT WITH HOT WATER HEAT



UNIT SIZE	INLET SIZE	ECM HP	D
7	10	(2) 3/4	9-7/8"
	12	(2) 3/4	11-7/8"
	14	(2) 3/4	13-7/8"
	16	(2) 3/4	15-7/8"

NOTES: Left-hand mounted controls shown above; right hand units (optional) are inverted, resulting in elevation change of discharge duct.

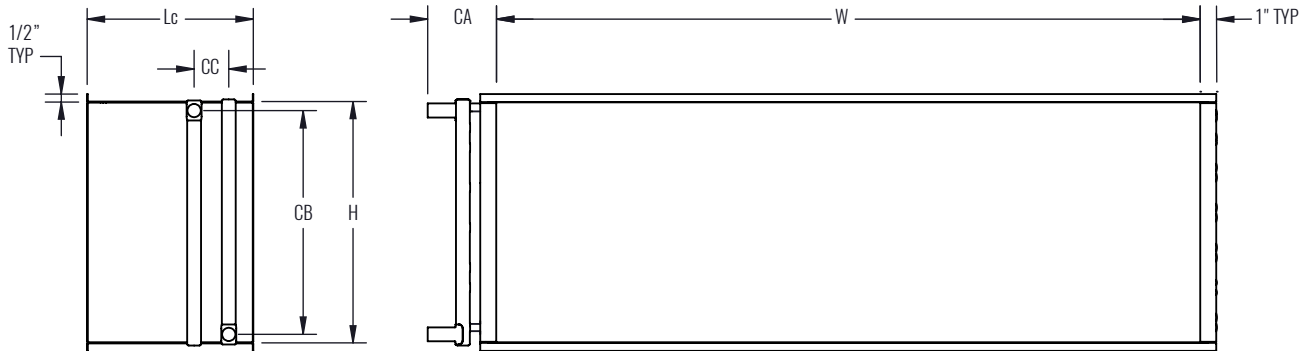
### STANDARD FEATURES

- 20 gage galvanized steel construction
- NEMA 1 control enclosure for electronic components
- 1" thick dual density fiberglass insulation meeting NFPA 90A and UL 181 safety requirements
- 120V, 8V/240V, 277V EC motor (electronically commutated motor)
- Motor Speed Control: manual control, 0-10Vdc remote control, 2-10Vdc remote control
- Removable top and bottom panels allow easy access to motor, blower and primary air damper assemblies for servicing
- Four quadrant averaging cross flow sensor
- Discharge requires a flanged duct connection by others
- Factory supplied 24 volt control transformer
- ETL listed; adherence to UL1995 and CSA C22.2 No.236.95
- AHRI certified sound ratings

### OPTIONAL FEATURES

- Liners: 1/2" dual density fiberglass, 1/2" cellular, 1" cellular, 1/2" foil encapsulated fiberglass, 1" foil encapsulated fiberglass, solid metal liner with 1" dual density fiberglass
- Induced air filter: 1" construction, 1" MERV 8, 2" MERV 13
- Induced air attenuator
- Cam lock access doors
- Hanger brackets
- Electrical enclosures: bottom facing, 90° facing, remote mounted
- Motor disconnect switch
- Motor fusing
- Dust tight control enclosure

**DIMENSIONAL DATA | SIZE 7 | HEATING WATER COIL**



INLET SIZE	ROWS	H	W	Lc	CA	CB	CC	O.D. WATER CONNECTION
7	1	15"	44"	8"	4-1/4"	13-3/8"	1-1/8"	7/8"
	2	15"	44"	9-1/8"	4-1/4"	14"	1-1/8"	7/8"
	3	15"	44"	10-3/8"	4-1/4"	14"	2-1/8"	7/8"
	4	15"	44"	11-1/2"	4-1/4"	14"	3-1/4"	7/8"

**STANDARD FEATURES**

- Shipped from the factory attached to the unit discharge
- Coils are leak tested to 400 psi
- 1" flanges for attached discharge ductwork
- Coil section is uninsulated
- Coil Casing - 20 gage galvanized steel
- Connection Tubing - 0.032" thick copper (see O.D. connection diameter in table)
- Coil Tubing - 1/2" diameter x 0.016" thick copper
- Coil Fins - 0.0045" thick aluminum, 10 FPI; mechanically bonded to tubing
- Coils are not for steam application

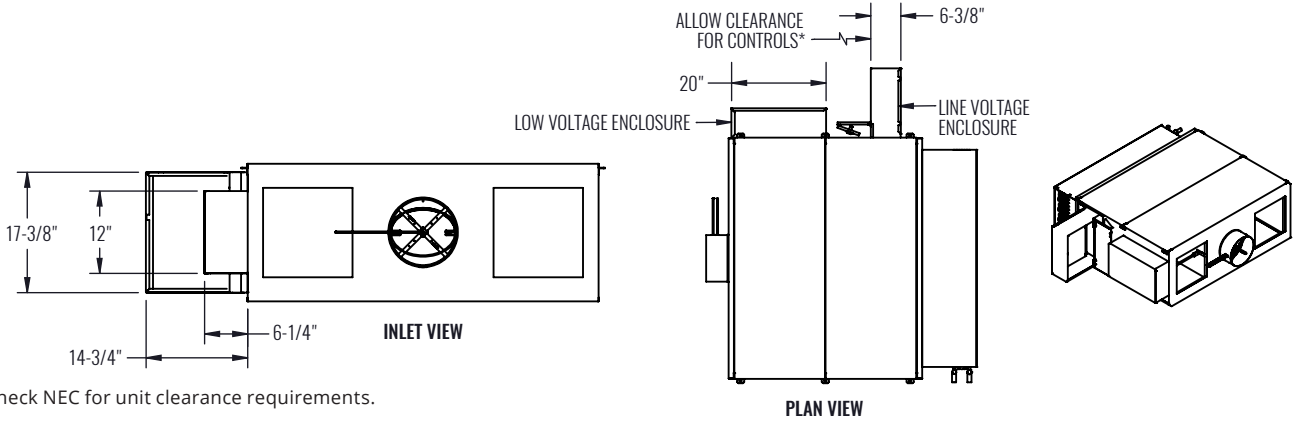
**OPTIONAL FEATURES**

- 12 FPI, 0.0045" thick aluminum fins, mechanically bonded to tubing
- Access door for cleaning and servicing
- Air vent and drain ports

## DIMENSIONAL DATA | SIZE 7 | BASE UNIT WITH HOT WATER HEAT | CONTROL ENCLOSURE OPTIONS

### 90° FACING LINE VOLTAGE ENCLOSURE

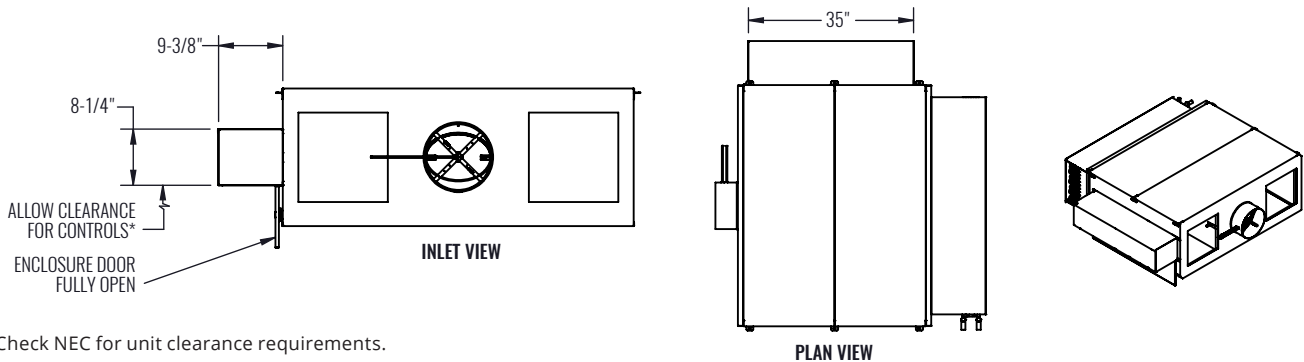
- Line voltage enclosure is mounted to direct NEC clearance requirement parallel to airflow.
- Enables easier placement during design and installation.



\* Check NEC for unit clearance requirements.

### BOTTOM FACING ENCLOSURE

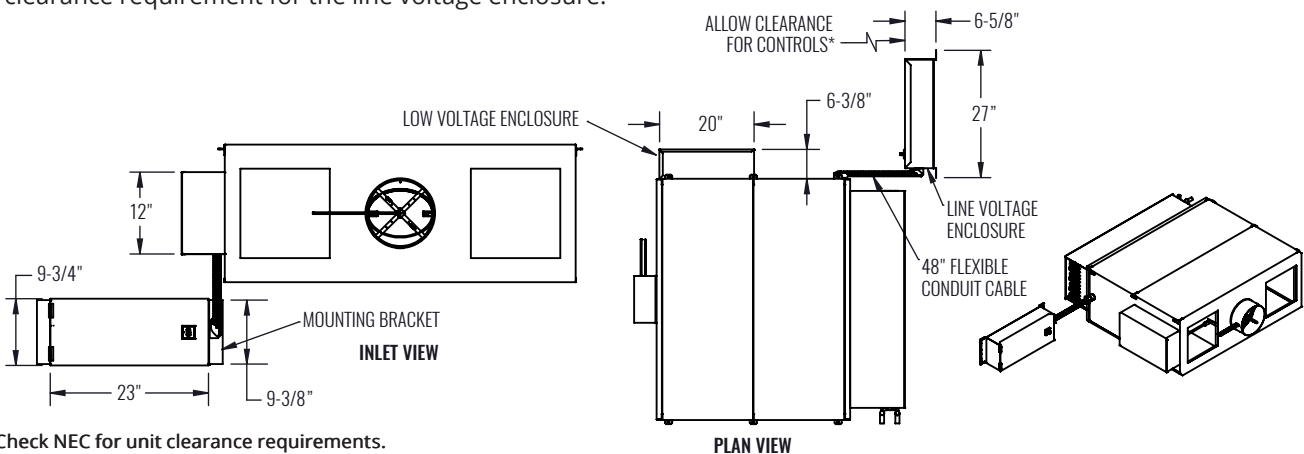
- Electrical enclosure door opens downward and is serviceable from underneath the unit.
- Direct NEC clearance requirement below the unit (towards the floor).
- Enables easier placement during design and installation.
- Easier serviceability with hard ceiling installation and limited ceiling access panels



\* Check NEC for unit clearance requirements.

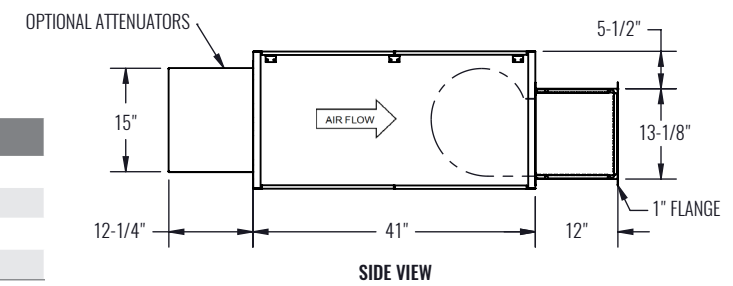
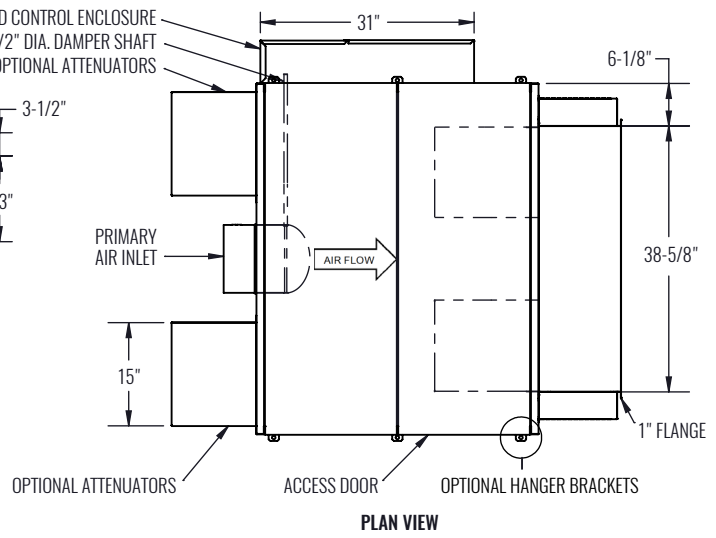
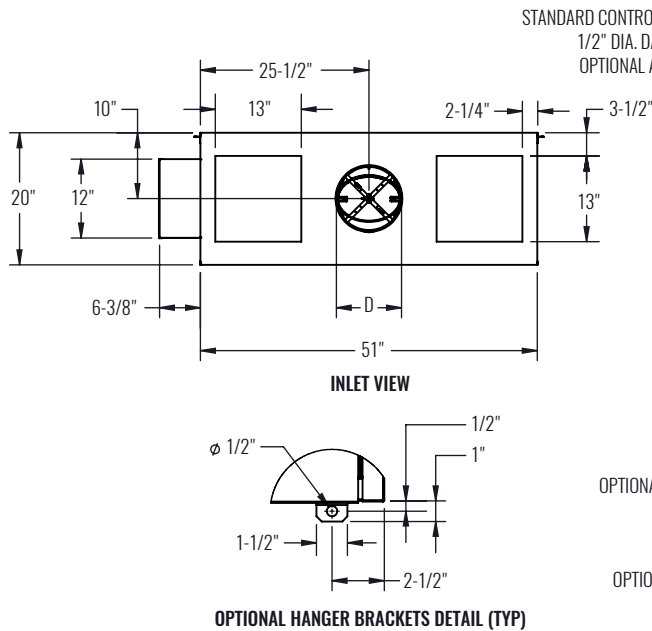
### REMOTE MOUNTED LINE VOLTAGE ENCLOSURE

- Line voltage enclosure is tethered to the unit by 48" flexible conduit cable and is to be field mounted.
- Provides flexibility for the installer to place the unit in tighter ceiling spaces while maintaining NEC clearance requirement for the line voltage enclosure.



\* Check NEC for unit clearance requirements.

**DIMENSIONAL DATA | SIZE 7 | BASE UNIT WITH ELECTRIC HEAT**



UNIT SIZE	INLET SIZE	ECM HP	D
7	10	(2) 3/4	9-7/8"
	12	(2) 3/4	11-7/8"
	14	(2) 3/4	13-7/8"
	16	(2) 3/4	15-7/8"

NOTES: Left-hand mounted controls shown above; right hand units (optional) are inverted, resulting in elevation change of discharge duct.

**STANDARD FEATURES**

- 20 gage galvanized steel construction
- NEMA 1 control enclosure for electronic components
- 1" thick dual density fiberglass insulation meeting NFPA 90A and UL 181 safety requirements
- 120V, 8V/240V, 277V EC motor (electronically commutated motor)
- Motor Speed Control: manual control, 0-10Vdc remote control, 2-10Vdc remote control
- Removable top and bottom panels allow easy access to motor, blower and primary air damper assemblies for servicing
- Four quadrant averaging cross flow sensor
- Discharge requires a flanged duct connection by others
- Factory supplied 24 volt control transformer
- ETL listed; adherence to UL1995 and CSA C22.2 No.236.95
- AHRI certified sound ratings

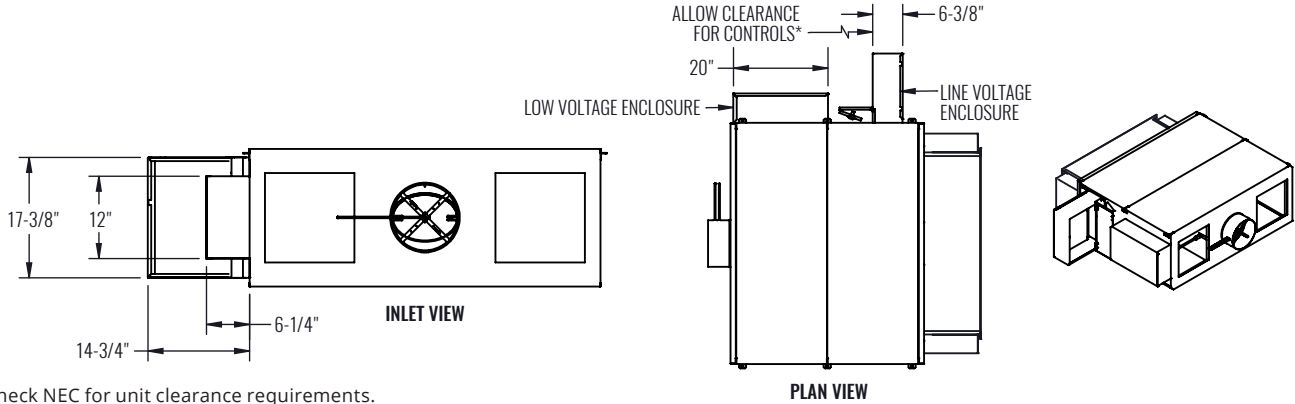
**OPTIONAL FEATURES**

- Liners: 1/2" dual density fiberglass, 1/2" cellular, 1" cellular, 1/2" foil encapsulated fiberglass, 1" foil encapsulated fiberglass, solid metal liner with 1" dual density fiberglass, perforated metal liner with 1" dual density fiberglass
- Induced Air Filter: 1" construction, 1" MERV 8, 2" MERV 13
- Induced air attenuator
- Cam lock access doors
- Hanger brackets
- Electrical Enclosures: bottom facing, 90° facing, remote mounted
- Door-interlocking disconnect switch: fused or non-fused
- LineaHeat controlled SSR heat
  - Discharge temperature sensor
- 24 VAC solid state relays
- Motor fusing
- Dust tight control enclosure

## DIMENSIONAL DATA | SIZE 7 | BASE UNIT WITH ELECTRIC HEAT | CONTROL ENCLOSURE OPTIONS

### 90° FACING LINE VOLTAGE ENCLOSURE

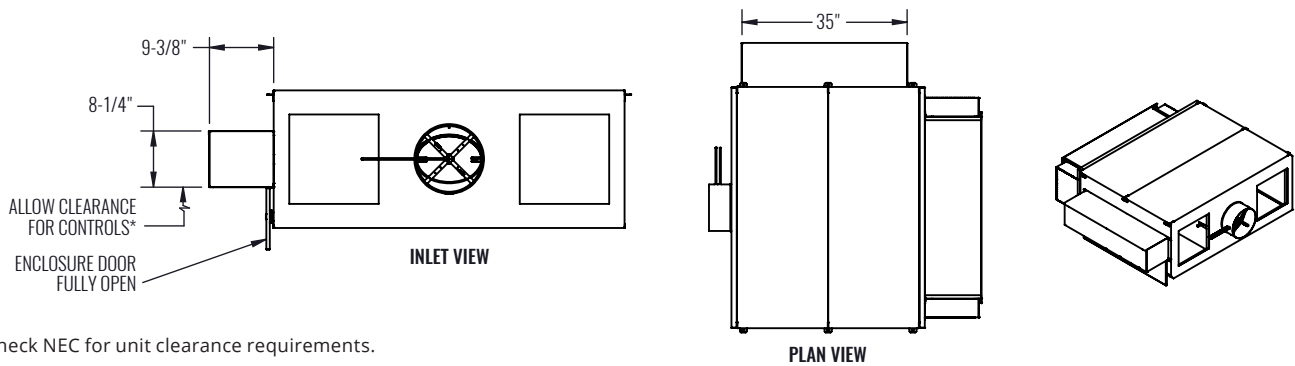
- Line voltage enclosure is mounted to direct NEC clearance requirement parallel to airflow.
- Enables easier placement during design and installation.



\* Check NEC for unit clearance requirements.

### BOTTOM FACING ENCLOSURE

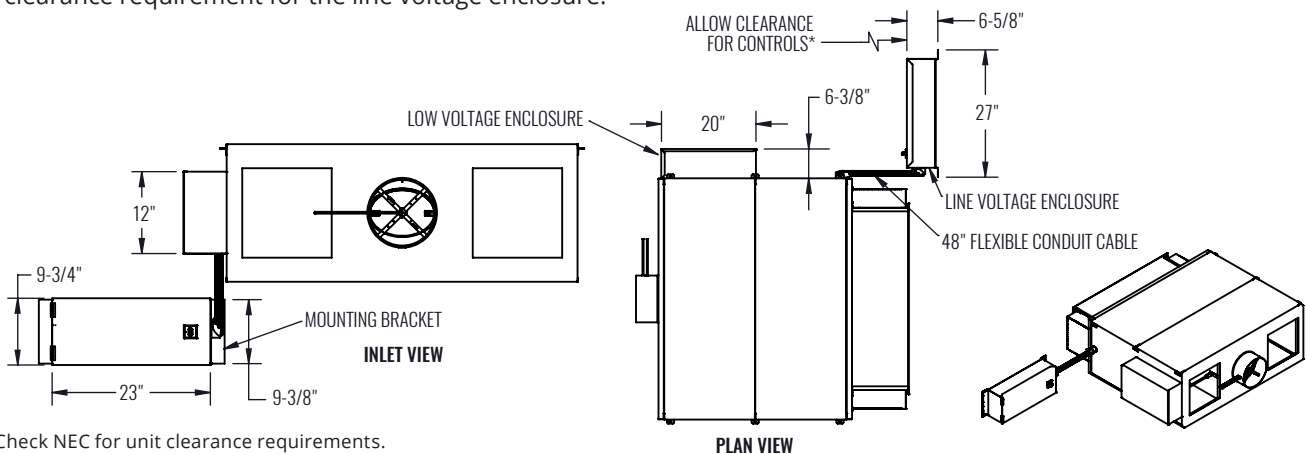
- Electrical enclosure door opens downward and is serviceable from underneath the unit.
- Direct NEC clearance requirement below the unit (towards the floor).
- Enables easier placement during design and installation.
- Easier serviceability with hard ceiling installation and limited ceiling access panels



\* Check NEC for unit clearance requirements.

### REMOTE MOUNTED LINE VOLTAGE ENCLOSURE

- Line voltage enclosure is tethered to the unit by 48" flexible conduit cable and is to be field mounted.
- Provides flexibility for the installer to place the unit in tighter ceiling spaces while maintaining NEC clearance requirement for the line voltage enclosure.



\* Check NEC for unit clearance requirements.