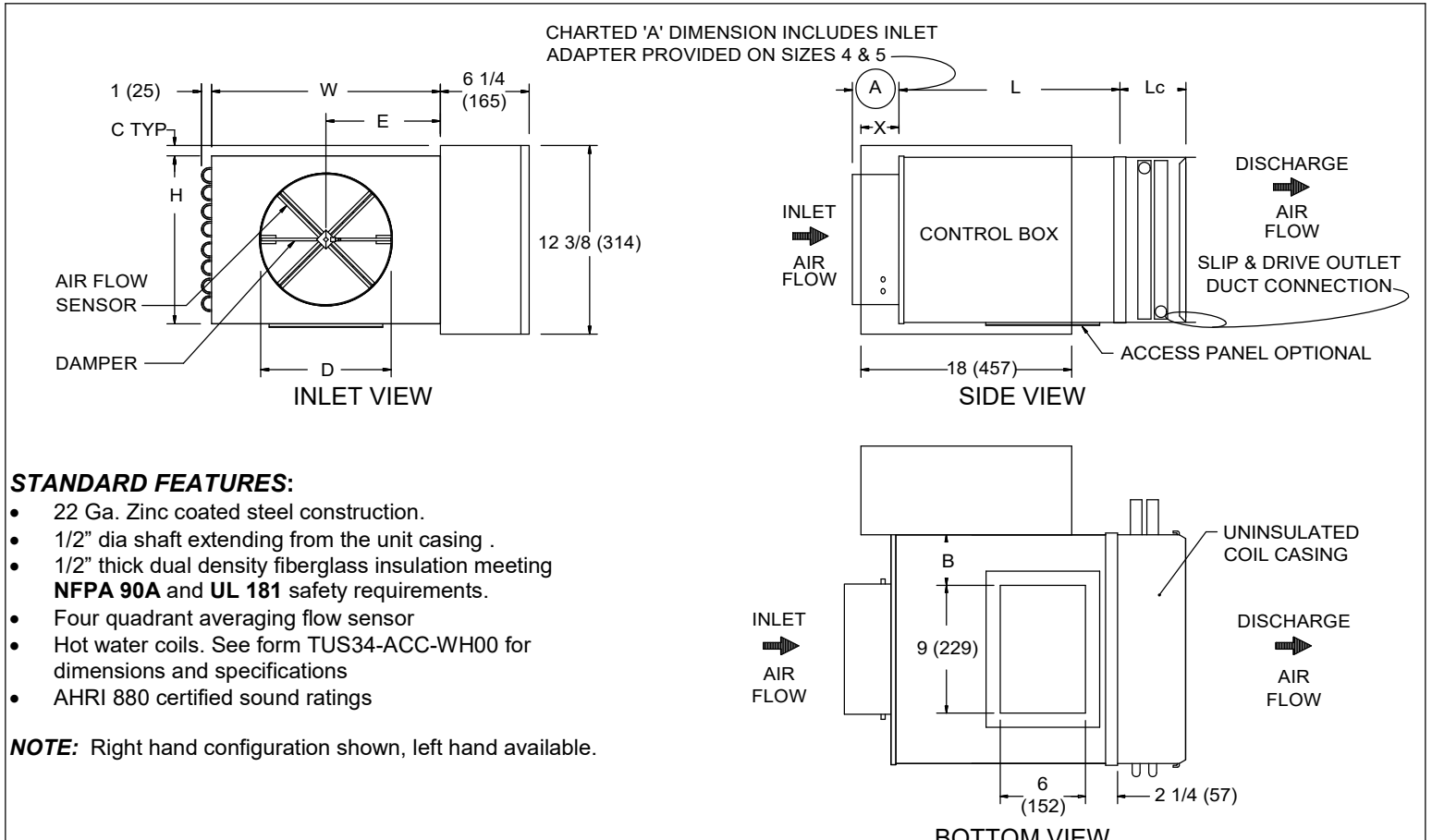


LMHS-LC

SINGLE DUCT WITH LARGE CASING WITH HOT WATER COIL & ELECTRIC CONTROLS

SUBMITTAL SHEET



STANDARD FEATURES:

- 22 Ga. Zinc coated steel construction.
- 1/2" dia shaft extending from the unit casing .
- 1/2" thick dual density fiberglass insulation meeting **NFPA 90A** and **UL 181** safety requirements.
- Four quadrant averaging flow sensor
- Hot water coils. See form TUS34-ACC-WH00 for dimensions and specifications
- AHRI 880 certified sound ratings

NOTE: Right hand configuration shown, left hand available.

OPTIONAL FEATURES:

- Liners:
 - 1" dual density fiberglass
 - 1/2" Cellular insulation
 - 1" Cellular insulation
 - Sterilwall w/ 1/2" fiberglass
 - Sterilwall w/ 1" dual density fiberglass
 - Perf. Double Wall w/ 1/2" fiberglass
 - Perf. Double Wall w/ 1" dual density fiberglass
 - Steriliner
 - None
- 20 Ga. Zinc coated steel construction
- Linear averaging sensor
- 24 Volt transformer
- Disconnect switch for electronic controls.
- Dust tight control enclosure.
- Left hand control
- Right hand control
- Left hand water coil connection
- Right hand water coil connection
- Bottom access panel
- Cam lock bottom access panel
- Hanger brackets

DIMENSIONS ARE GIVEN AS INCHES (MM)

INLET SIZE	NOM MAX CFM (L/S)	L	W	H	A	B	C	D	E	X	Lc
4	230 (109)	15 1/2 (394)	12 (305)	10 (254)	5 3/8 (136)	1 1/2 (38)	1 1/8 (29)	3 7/8 (98)	6 (152)	7 1/4 (184)	SEE FORM TUS34- ACC- WH00
5	360 (170)	15 1/2 (394)	12 (305)	10 (254)	5 3/8 (136)	1 1/2 (38)	1 1/8 (29)	4 7/8 (124)	6 (152)	7 1/4 (184)	
6	515 (243)	15 1/2 (394)	12 (305)	10 (254)	3 3/8 (86)	1 1/2 (38)	1 1/8 (29)	5 7/8 (149)	6 (152)	7 1/4 (184)	
7	700 (330)	15 1/2 (394)	14 (356)	12 1/2	3 3/8 (86)	2 1/2 (64)	-	6 7/8 (175)	7 (178)	5 1/4 (133)	
8	920 (434)	15 1/2 (394)	14 (356)	12 1/2	3 3/8 (86)	2 1/2 (64)	-	7 7/8 (200)	7 (178)	5 1/4 (133)	
9	1160 (547)	15 1/2 (394)	16 (406)	15 (381)	3 3/8 (86)	3 1/2 (89)	-	8 7/8 (225)	8 (203)	5 1/4 (133)	
10	1430 (674)	15 1/2 (394)	16 (406)	15 (381)	3 3/8 (86)	3 1/2 (89)	-	9 7/8 (251)	8 (203)	5 1/4 (133)	
12	2060 (972)	15 1/2 (394)	20 (508)	17 1/2	3 3/8 (86)	5 1/2 (140)	-	11 7/8 (302)	10 (254)	3 1/4 (83)	
14	2800 (1321)	15 1/2 (394)	24 (610)	18 (457)	3 3/8 (86)	7 1/2 (191)	-	13 7/8 (352)	12 (305)	3 1/4 (83)	