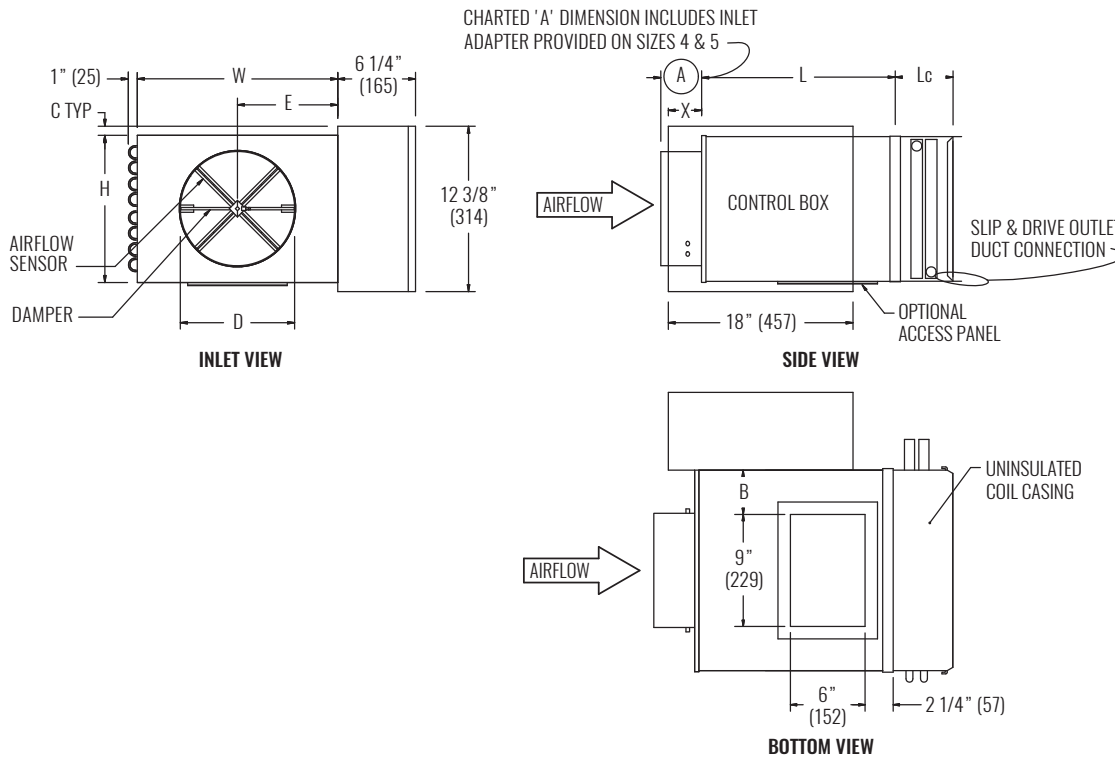


BASE UNIT WITH HOT WATER HEAT | DIMENSIONAL DATA



INLET SIZE	MAX CFM [L/s]	L	W	H	A	B	C	D	E	X	Lc
4	230 [109]	15 1/2" (394)	12" (305)	10" (254)	5 3/8" (136)	1 1/2" (38)	1 1/8" (29)	3 7/8" (98)	5 3/8" (137)	7 1/4" (184)	SEE PAGE A2-33
5	360 [170]	15 1/2" (394)	12" (305)	10" (254)	5 3/8" (136)	1 1/2" (38)	1 1/8" (29)	4 7/8" (124)	5 3/8" (137)	7 1/4" (184)	
6	515 [243]	15 1/2" (394)	12" (305)	10" (254)	3 3/8" (86)	1 1/2" (38)	1 1/8" (29)	5 7/8" (149)	5 3/8" (137)	7 1/4" (184)	
7	700 [330]	15 1/2" (394)	14" (356)	12 1/2" (318)	3 3/8" (86)	2 1/2" (64)	-	6 7/8" (175)	5 7/8" (149)	5 1/4" (133)	
8	920 [434]	15 1/2" (394)	14" (356)	12 1/2" (318)	3 3/8" (86)	2 1/2" (64)	-	7 7/8" (200)	6 1/2" (165)	5 1/4" (133)	
9	1160 [547]	15 1/2" (394)	16" (406)	15" (381)	3 3/8" (86)	3 1/2" (89)	-	8 7/8" (225)	6 3/8" (161)	5 1/4" (133)	
10	1430 [674]	15 1/2" (394)	16" (406)	15" (381)	3 3/8" (86)	3 1/2" (89)	-	9 7/8" (251)	6 7/8" (175)	5 1/4" (133)	
12	2060 [972]	15 1/2" (394)	20" (508)	17 1/2" (445)	3 3/8" (86)	5 1/2" (140)	-	11 7/8" (302)	7 7/8" (200)	3 1/4" (83)	
14	2800 [1321]	15 1/2" (394)	24" (610)	18" (457)	3 3/8" (86)	7 1/2" (191)	-	13 7/8" (352)	9 1/2" (241)	3 1/4" (83)	

NOTES: Dimensions in parentheses are millimeters. Right-hand base unit with electronic control enclosure shown; left-hand is available.

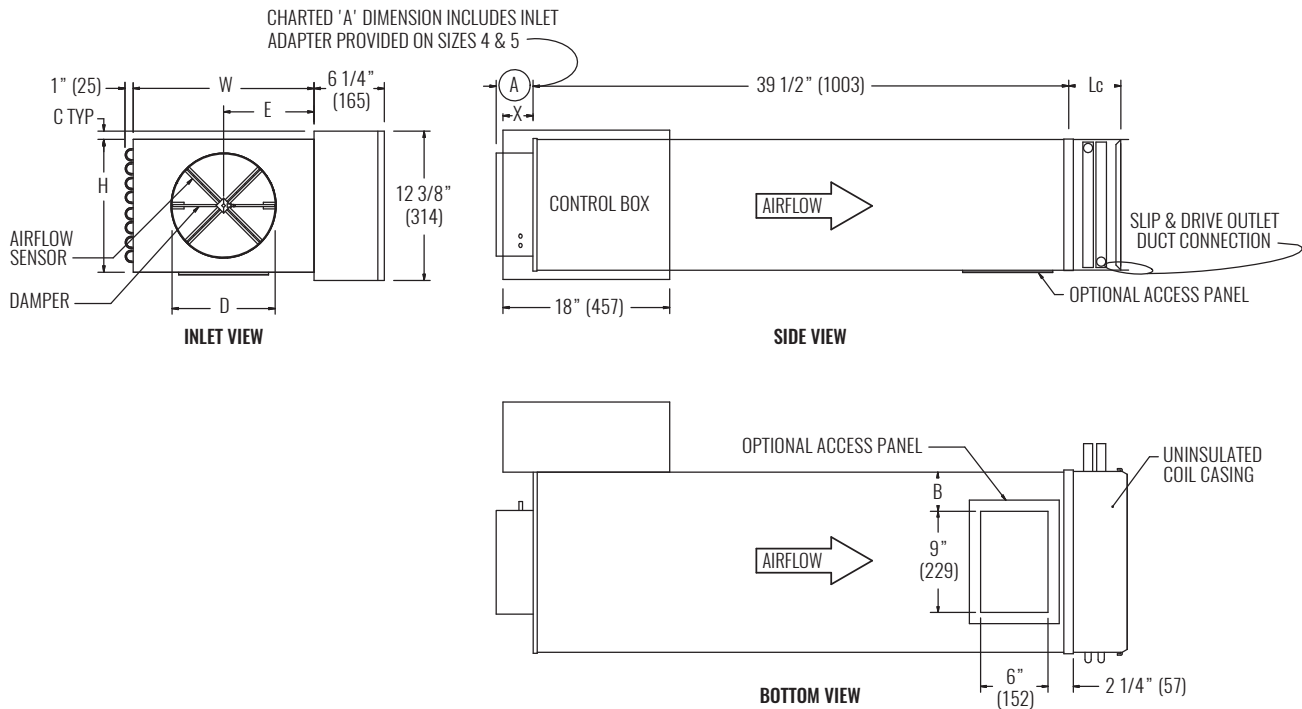
STANDARD FEATURES

- 22 gauge galvanized steel construction
- NEMA 1 steel control enclosure for electric or electronic components
- 1/2" dia shaft extending from the unit casing
- 1/2" thick dual density fiberglass insulation meeting NFPA 90A and UL 181 safety requirements
- Four quadrant center averaging cross flow sensor
- Variety of pneumatic, analog, and factory mounted direct digital control packages for pressure dependent and pressure independent systems
- Hot water coils
- ETL Listed - Adherence to UL 429 for electrically operated valves
- AHRI 880 certified sound ratings

OPTIONAL FEATURES

- 20 gauge galvanized steel construction
- Liners: 1/2" or 1" cellular, 1" dual density fiberglass, sterilwall, steriliner, perforated doublewall, or no liner
- Linear averaging airflow sensor
- 24 Volt transformer
- Disconnect switch for electronic controls
- Dust tight control enclosure
- Left-hand or right-hand control enclosure
- Left-hand or right-hand water coil connection
- Bottom access panel
- Cam locks (bottom access panel)
- Hanger brackets

BASE UNIT WITH HOT WATER HEAT AND ATTENUATOR | DIMENSIONAL DATA



INLET SIZE	MAX CFM [L/s]	W	H	A	B	C	D	E	X	Lc
4	230 [109]	12" (305)	10" (254)	5 3/8" (136)	1 1/2" (38)	1 1/8" (29)	3 7/8" (98)	5 3/8" (137)	7 1/4" (184)	SEE NEXT PAGE
5	360 [170]	12" (305)	10" (254)	5 3/8" (136)	1 1/2" (38)	1 1/8" (29)	4 7/8" (124)	5 3/8" (137)	7 1/4" (184)	
6	515 [243]	12" (305)	10" (254)	3 3/8" (86)	1 1/2" (38)	1 1/8" (29)	5 7/8" (149)	5 3/8" (137)	7 1/4" (184)	
7	700 [330]	14" (356)	12 1/2" (318)	3 3/8" (86)	2 1/2" (64)	-	6 7/8" (175)	5 7/8" (149)	5 1/4" (133)	
8	920 [434]	14" (356)	12 1/2" (318)	3 3/8" (86)	2 1/2" (64)	-	7 7/8" (200)	6 1/2" (165)	5 1/4" (133)	
9	1160 [547]	16" (406)	15" (381)	3 3/8" (86)	3 1/2" (89)	-	8 7/8" (225)	6 3/8" (161)	5 1/4" (133)	
10	1430 [674]	16" (406)	15" (381)	3 3/8" (86)	3 1/2" (89)	-	9 7/8" (251)	6 7/8" (175)	5 1/4" (133)	
12	2060 [972]	20" (508)	17 1/2" (445)	3 3/8" (86)	5 1/2" (140)	-	11 7/8" (302)	7 7/8" (200)	3 1/4" (83)	
14	2800 [1321]	24" (610)	18" (457)	3 3/8" (86)	7 1/2" (191)	-	13 7/8" (352)	9 1/2" (241)	3 1/4" (83)	

NOTES: Dimensions in parentheses are millimeters. Right-hand configuration with electronic control enclosure shown; left-hand is available.

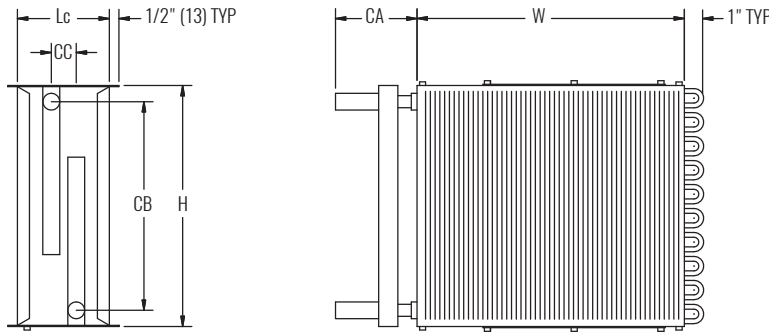
STANDARD FEATURES

- 22 gauge galvanized steel construction
- NEMA 1 steel control enclosure for electric or electronic components
- 1/2" dia shaft extending from the unit casing
- 1/2" thick dual density fiberglass insulation meeting NFPA 90A and UL 181 safety requirements
- Four quadrant center averaging cross flow sensor
- Variety of pneumatic, analog, and factory mounted direct digital control packages for pressure dependent and pressure independent systems
- Hot water coils
- ETL Listed - Adherence to UL 429 for electrically operated valves
- AHRI 880 certified sound ratings

OPTIONAL FEATURES

- 20 gauge galvanized steel construction
- Liners: 1/2" or 1" cellular, 1" dual density fiberglass, sterilwall, steriliner, perforated doublewall, or no liner
- Linear averaging airflow sensor
- 24 Volt transformer
- Disconnect switch for electronic controls
- Dust tight control enclosure
- Left-hand or right-hand control enclosure
- Left-hand or right-hand water coil connection
- Bottom access panel
- Cam locks (bottom access panel)
- Hanger brackets

HOT WATER COIL | DIMENSIONAL DATA



LMHS-LC SIZE	NUMBER OF COILS	H	W	Lc	CA	CB	CC	WATER CONNECTION*
4, 5, 6	1 ROW	10 1/4" (260)	12" (305)	5" (127)	3" (76)	8 3/4" (222)	-	1/2" (13)
	2 ROW	10 1/4" (260)	12" (305)	5" (127)	2 1/2" (64)	8 3/4" (222)	-	5/8" (16)
	3 ROW	10 1/4" (260)	12" (305)	7 1/4" (184)	4 1/4" (108)	8 3/8" (213)	2 3/16" (56)	7/8" (22)
	4 ROW	10 1/4" (260)	12" (305)	7 1/4" (184)	4 1/4" (108)	9" (229)	3 1/4" (83)	7/8" (22)
7, 8	1 ROW	12 3/4" (324)	14" (356)	5" (127)	4 1/4" (108)	10 7/8" (276)	1 1/8" (29)	7/8" (22)
	2 ROW	12 3/4" (324)	14" (356)	5" (127)	4 1/4" (108)	11 1/2" (292)	1 1/16" (27)	7/8" (22)
	3 ROW	12 3/4" (324)	14" (356)	7 1/4" (184)	4 1/4" (108)	10 7/8" (276)	2 3/16" (56)	7/8" (22)
	4 ROW	12 3/4" (324)	14" (356)	7 1/4" (184)	4 1/4" (108)	11 1/2" (292)	3 1/4" (83)	7/8" (22)
9, 10	1 ROW	15 1/4" (387)	16" (406)	5" (127)	4 1/4" (108)	13 3/8" (340)	1 1/8" (29)	7/8" (22)
	2 ROW	15 1/4" (387)	16" (406)	5" (127)	4 1/4" (108)	14" (356)	1 1/16" (27)	7/8" (22)
	3 ROW	15 1/4" (387)	16" (406)	7 1/4" (184)	4 1/4" (108)	13 3/8" (340)	2 3/16" (56)	7/8" (22)
	4 ROW	15 1/4" (387)	16" (406)	7 1/4" (184)	4 1/4" (108)	14" (356)	3 1/4" (83)	7/8" (22)
12	1 ROW	17 3/4" (451)	20" (508)	7 1/2" (191)	4 1/4" (108)	15 7/8" (403)	1 1/8" (29)	7/8" (22)
	2 ROW	17 3/4" (451)	20" (508)	7 1/2" (191)	4 1/4" (108)	16 1/2" (419)	1 1/16" (27)	7/8" (22)
	3 ROW	17 3/4" (451)	20" (508)	9 3/4" (248)	4 1/4" (108)	15 7/8" (403)	2 3/16" (56)	7/8" (22)
	4 ROW	17 3/4" (451)	20" (508)	9 3/4" (248)	4 1/4" (108)	16 1/2" (419)	3 1/4" (83)	7/8" (22)
14	1 ROW	17 3/4" (451)	24" (610)	7 1/2" (191)	4 1/4" (108)	15 7/8" (403)	1 1/8" (29)	7/8" (22)
	2 ROW	17 3/4" (451)	24" (610)	7 1/2" (191)	4 1/4" (108)	16 1/2" (419)	1 1/16" (27)	7/8" (22)
	3 ROW	17 3/4" (451)	24" (610)	9 3/4" (248)	4 1/4" (108)	15 7/8" (403)	2 3/16" (56)	7/8" (22)
	4 ROW	17 3/4" (451)	24" (610)	9 3/4" (248)	4 1/4" (108)	16 1/2" (419)	3 1/4" (83)	7/8" (22)

*NOTES: Dimensions in parentheses are millimeters. Water connection dimension is O.D.

STANDARD FEATURES

- Shipped from factory attached to the unit discharge
- Slip and drive field duct work installation
- Coil section is uninsulated
- Coil Casing - 20 gauge galvanized steel
- Connection Tubing - 0.032" thick copper (see O.D. connection diameter in table)
- Coil Tubing - 1/2" diameter x 0.016" thick copper
- Coil Fins - 0.0045" thick aluminum, 10 FPI, mechanically bonded to tubing

OPTIONAL FEATURES

- 12 FPI, 0.0045" thick aluminum fins, 0.016" thick copper tube
- 10 FPI, 0.0045" thick aluminum fins, 0.035" thick copper tube
- Coil Accessories - Air vent and drain ports

NOTE:

For hot water performance data tables, visit the Krueger website at www.krueger-hvac.com or download the Krueger selection software to run customized selections. The selection program can provide performance data with different entering air and water conditions as well as show effects of altitude and glycol on the heating performance of the water coil. The selection software also allows selections to be saved in a schedule format that can be imported onto a set of project drawings.

GLOSSARY OF ABBREVIATIONS

- EAT - Entering Air Temperature (°F)
- EWT - Entering Water Temperature (°F)
- CFM - Cubic Feet/Minute (Air Volume)
- Btuh - Heating Capacity (British Thermal Units/hr)
- MBH - 1,000 Btuh
- WTD - Water Temperature Drop (°F)
- ATR - Air Temperature Rise (°F)
- LAT - Leaving Air Temperature (°F)
- kW - Heating Capacity (kilowatts)
- Ps - Static Pressure Drop ("WG)
- GPM - Gallon Per Minute
- WPD - Water Pressure Drop or Head Loss (ft WG)