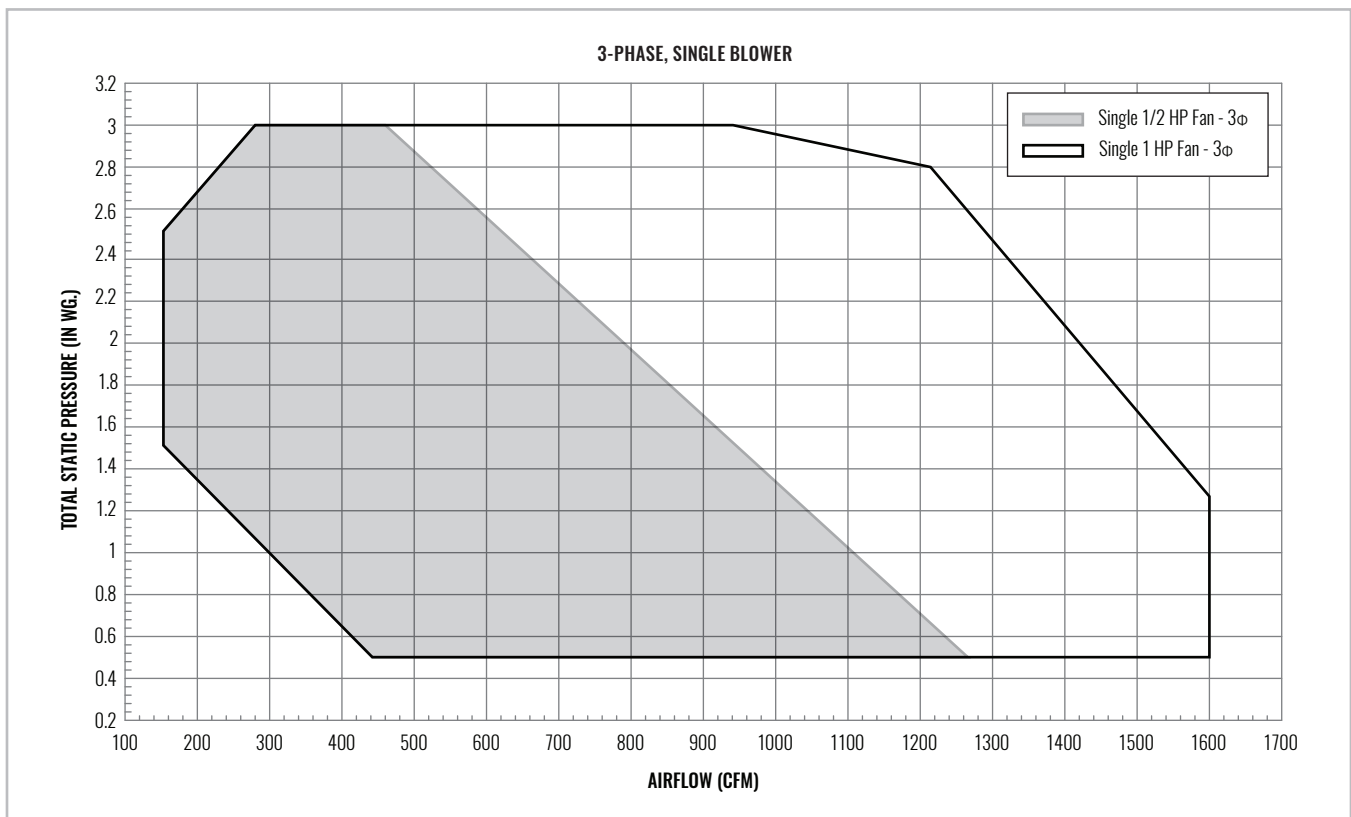
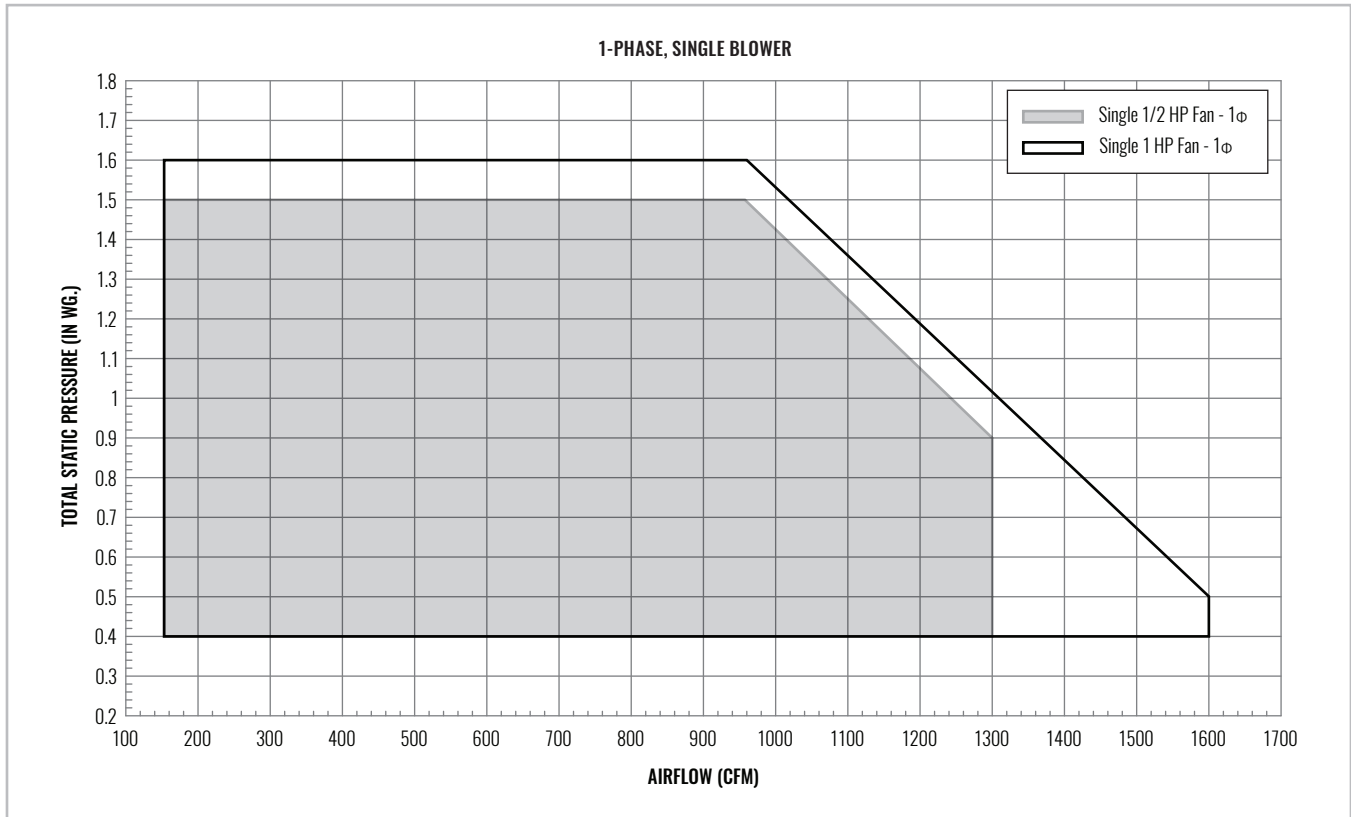


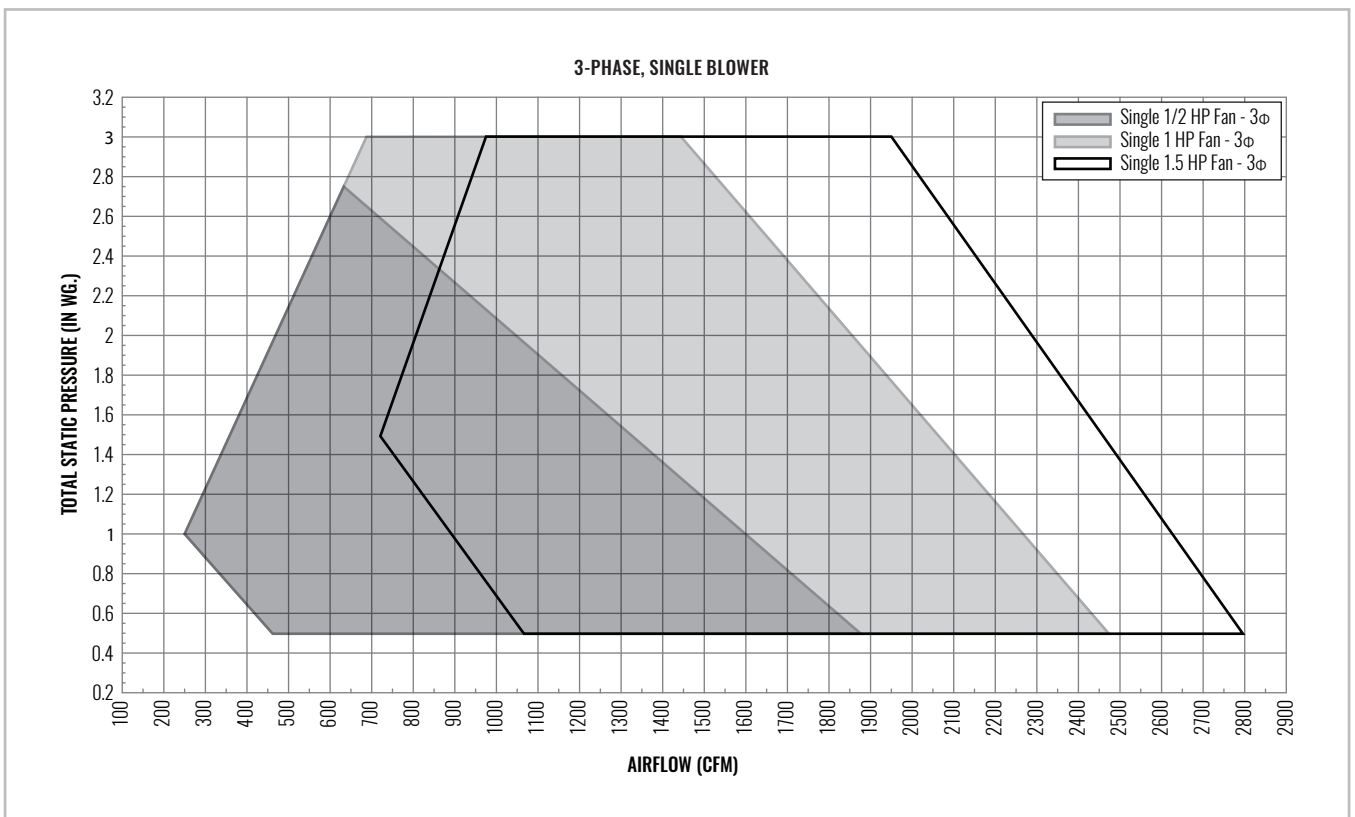
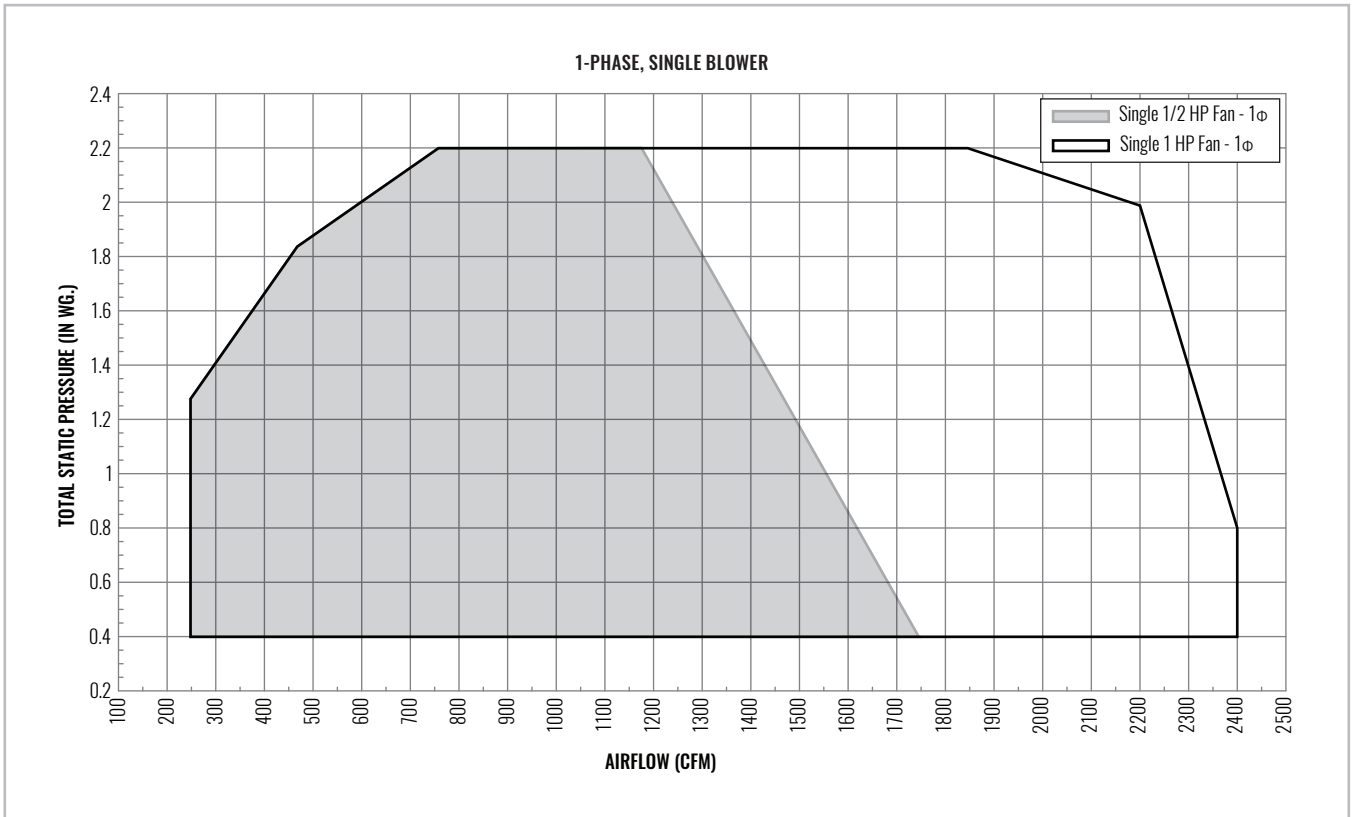
FAN CURVES | SIZES 08 & 12

BLOWER COILS | DIRECT DRIVE

KBHD, KBVD



FAN CURVES | SIZES 16, 20, 30 & 40



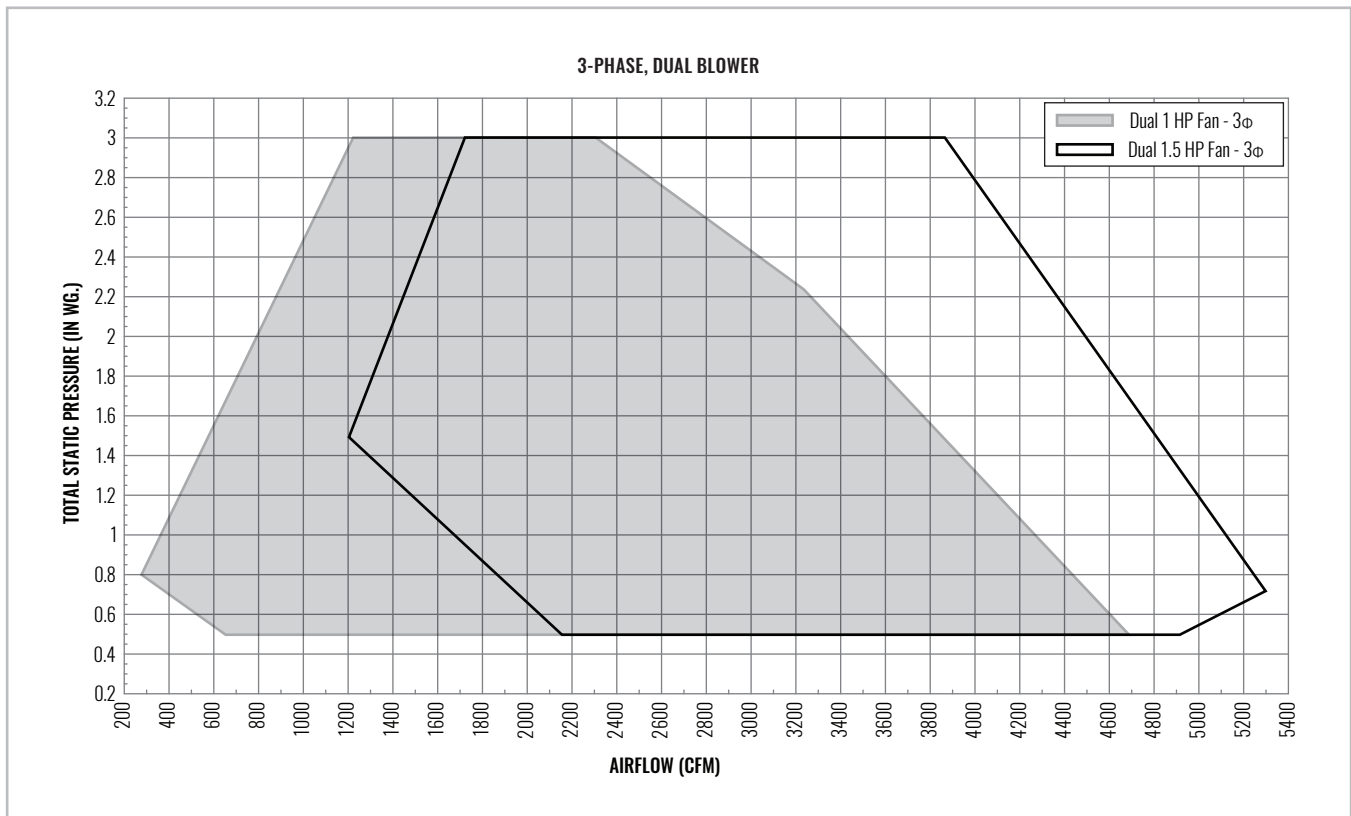
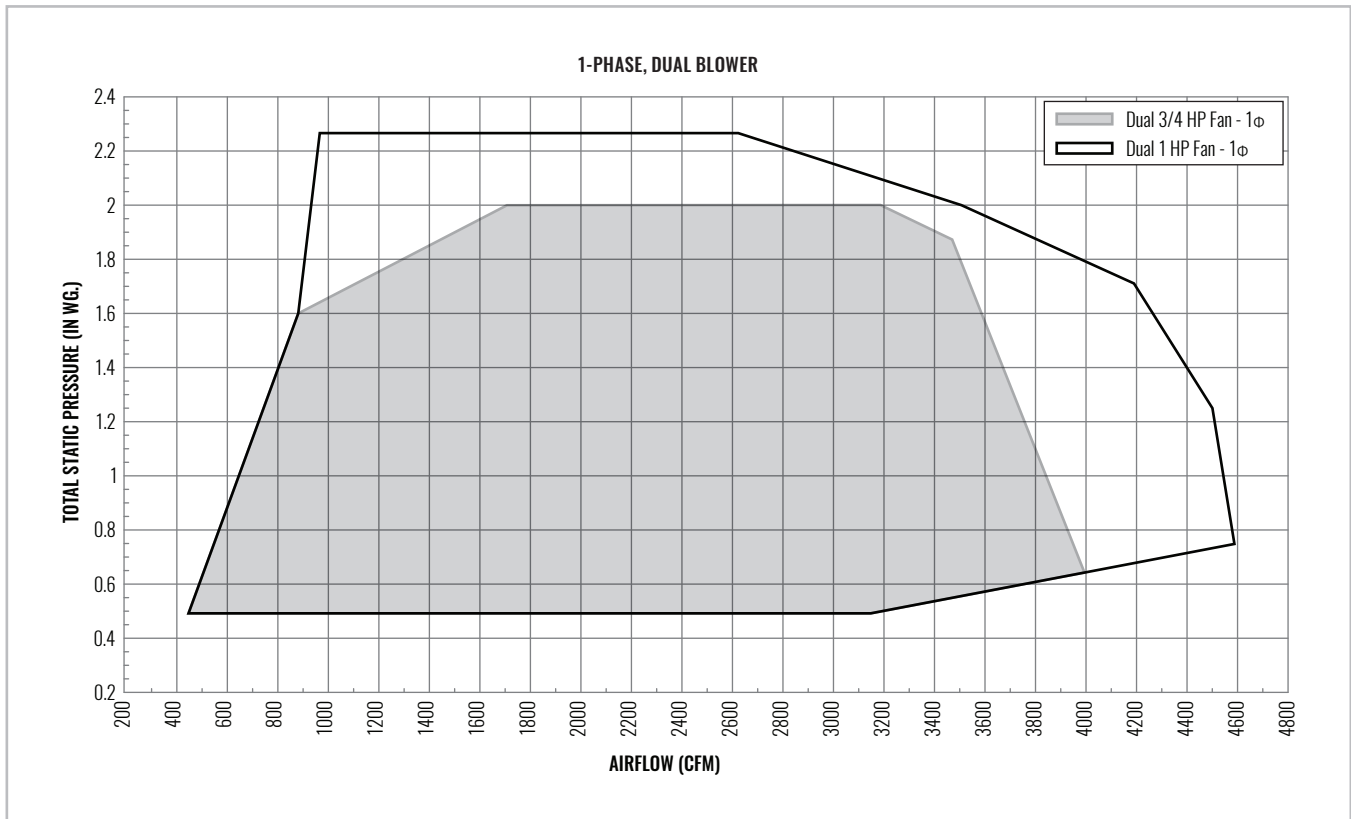
BLOWER COILS | DIRECT DRIVE

KBHD, KBVD

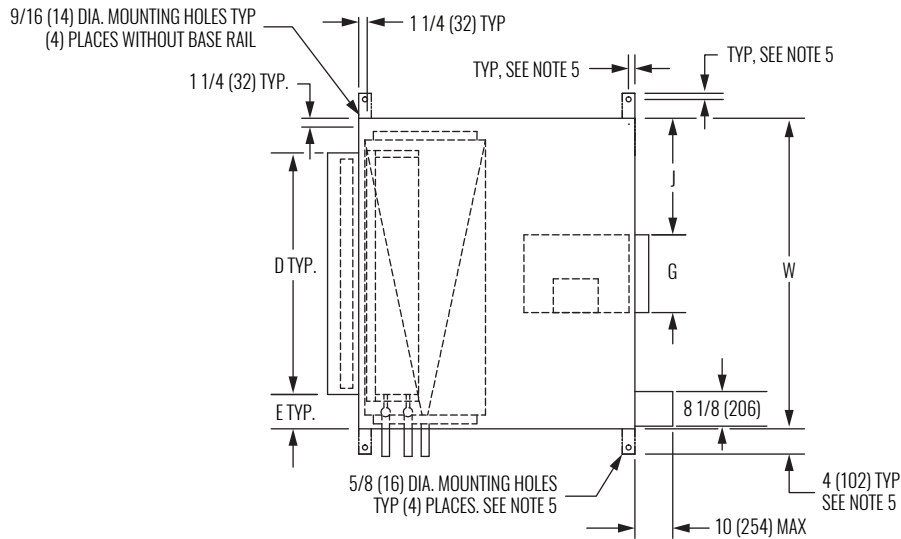
FAN CURVES | SIZES 30 & 40

BLOWER COILS | DIRECT DRIVE

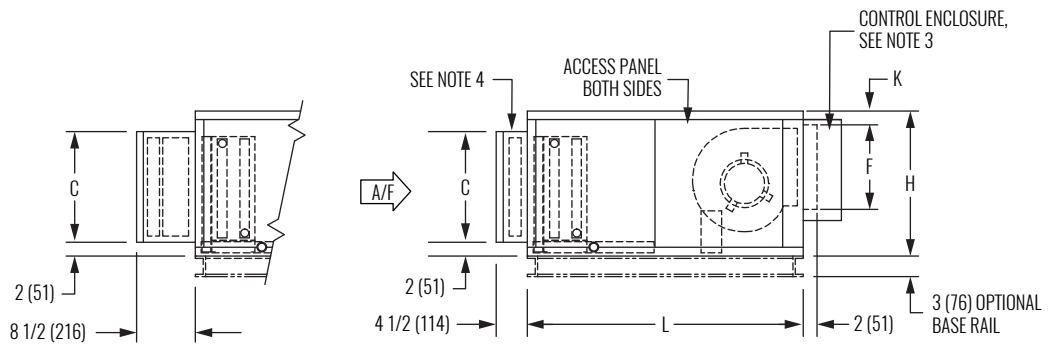
KBHD, KBVD



DIMENSIONAL DATA | KBHD | SINGLE BLOWER



TOP VIEW



HIGH EFFICIENCY FILTER RACK

STANDARD FILTER RACK

SIDE VIEWS

SIZE	FAN SIZE	L	W	H	C	D	E	F	G	J	K
08	9" x 6" (229 x 152)	40" (1016)	30" (762)	21" (533)	16" (406)	20" (508)	5" (127)	10 3/8" (264)	8 3/8" (213)	10 7/8" (276)	2" (51)
12	9" x 6" (229 x 152)	40" (1016)	36" (914)	21" (533)	16" (406)	25" (635)	5 1/2" (140)	10 3/8" (264)	8 3/8" (213)	13 7/8" (352)	2" (51)
16	10" x 8" (254 x 203)	40" (1016)	44" (1118)	21" (533)	16" (406)	39 1/2" (1003)	2 1/4" (57)	11 1/2" (292)	10 5/8" (270)	16 5/8" (422)	2" (51)
20	10" x 8" (254 x 203)	40" (1016)	50" (1270)	21" (533)	16" (406)	44 1/2" (1130)	2 3/4" (70)	11 1/2" (292)	10 5/8" (270)	19 5/8" (498)	2" (51)
30	10" x 8" (254 x 203)	46" (1168)	59" (1499)	30" (762)	25" (635)	51" (1295)	4" (102)	11 1/2" (292)	10 5/8" (270)	24 1/4" (616)	9 3/4" (248)
40	10" x 8" (254 x 203)	46" (1168)	68" (1727)	30" (762)	25" (635)	59" (1499)	4 1/2" (114)	11 1/2" (292)	10 5/8" (270)	28 5/8" (727)	9 3/4" (248)

NOTES:

1. All dimensions are in inches (millimeters). All dimensions are ±1/4" (6mm). Metric values are soft conversion.
2. Right hand unit shown, left hand unit opposite. Motor/drive location may be specified Left or Right Hand. Standard control enclosure location matches motor/drive position.
3. Provide sufficient clearance to permit access to controls and comply with applicable codes and ordinances.
4. See page F2-89 for filter rack details.
5. Base rail is optional on the base unit. Base rails must be used with mixing box.
6. See coil connection detail drawings for coil connection sizes and locations.
7. Drawings are not to scale and are not for installation purposes.