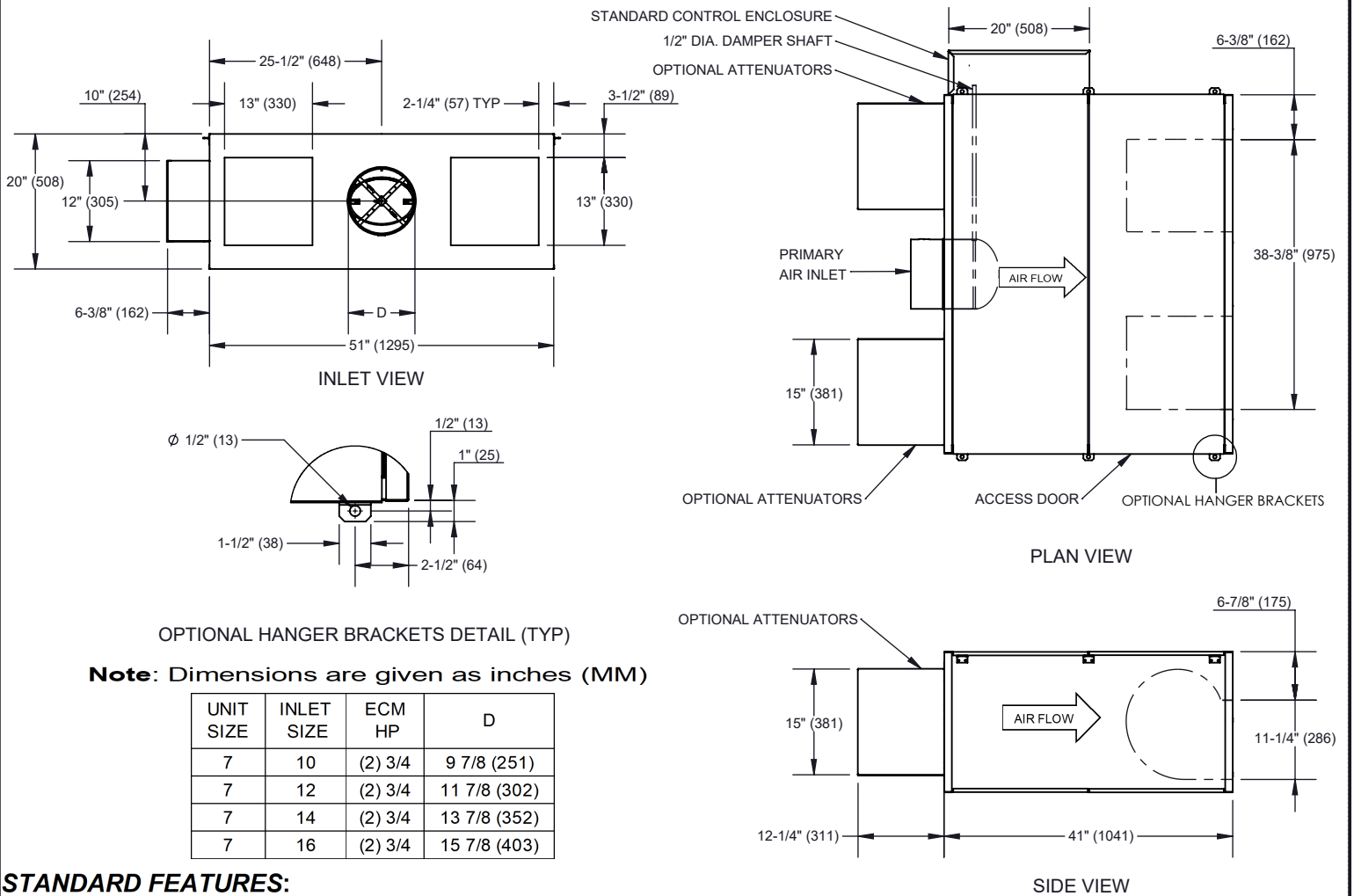


KFSS, UNIT SIZE 7

SERIES FAN POWERED TERMINAL UNIT COOLING ONLY

SUBMITTAL SHEET



Note: Dimensions are given as inches (MM)

UNIT SIZE	INLET SIZE	ECM HP	D
7	10	(2) 3/4	9 7/8 (251)
7	12	(2) 3/4	11 7/8 (302)
7	14	(2) 3/4	13 7/8 (352)
7	16	(2) 3/4	15 7/8 (403)

STANDARD FEATURES:

- 20 Ga. galvanized steel construction.
- NEMA 1 control enclosure for electronic components.
- 1" thick dual density fiberglass insulation meeting NFPA 90A and UL 181 safety requirements.
- 120V 208V/240V 277V EC Motor (electronically commutated motor)
- Motor Speed Control
 Manual Control 0-10Vdc Remote Control
 2-10Vdc Remote Control
- Removable top and bottom panels allow easy access to motor, blower and primary air damper assemblies for servicing.
- Four quadrant averaging cross flow sensor
- Left hand mounted controls shown above. Right hand units (optional) are inverted, resulting in elevation change of discharge duct.
- Discharge requires a flanged duct connection by others.
- Factory supplied 24 volt control transformer.
- ETL listed – Adherence to UL1995 and CSA C22.2 No.236.95
- AHRI certified sound ratings

OPTIONAL FEATURES:

- Liners:
 - 1/2" Dual density fiberglass insulation
 - 1/2" Cellular insulation
 - 1" Cellular insulation
 - 1/2" Foil encapsulated fiberglass insulation
 - 1" Foil encapsulated fiberglass insulation
 - Solid Metal Liner w/ 1" Dual Density Fiberglass
 - Perforated Metal Liner w/ 1" Dual Density Fiberglass
- Induced air filter:
 - 1" construction 1" Merv8 2" Merv13
- Induced air attenuator
- Cam lock access doors
- Hanger brackets
- Electrical enclosures (see sheet 2):
 - Bottom facing 90° facing Remote mounted
 - Motor disconnect switch
 - Motor fusing
 - Dust tight control enclosure

KFSS, UNIT SIZE 7

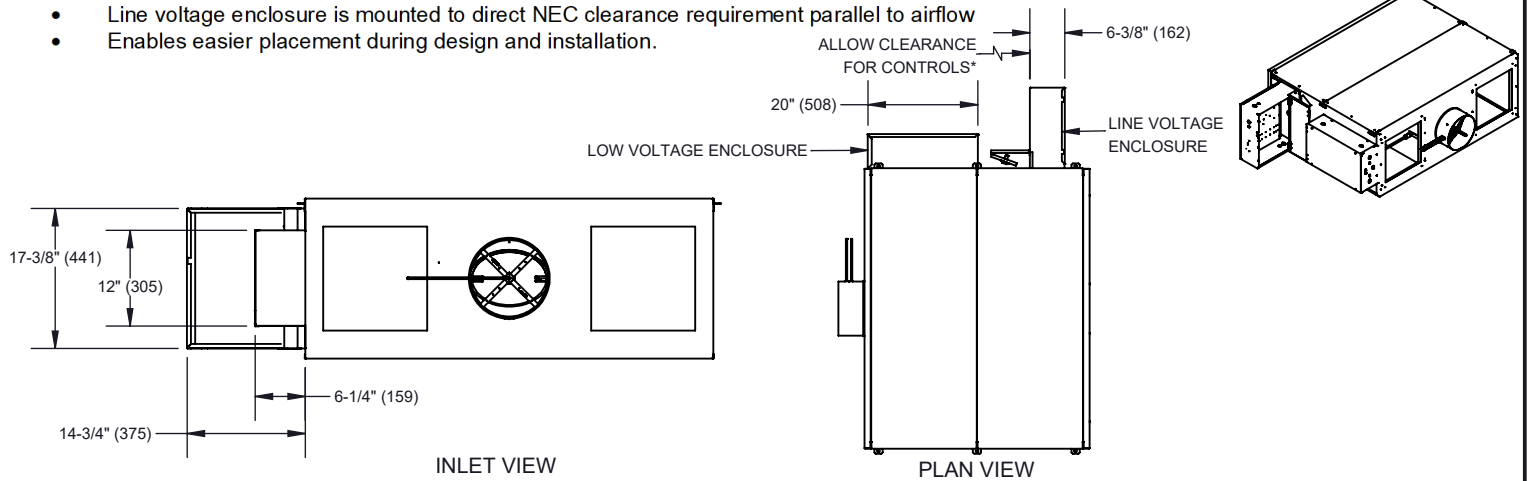
SERIES FAN POWERED TERMINAL UNIT COOLING ONLY

SUBMITTAL SHEET

90° Facing Line Voltage Enclosure

- Line voltage enclosure is mounted to direct NEC clearance requirement parallel to airflow
- Enables easier placement during design and installation.

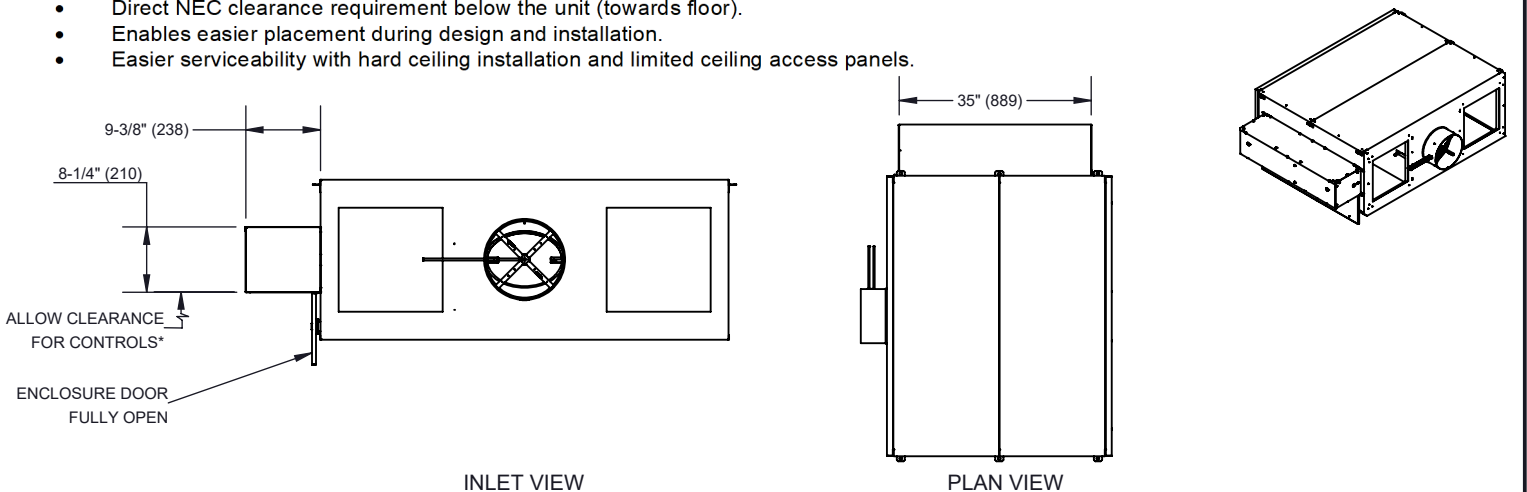
* Check NEC for unit clearance requirement



Bottom Facing Enclosure

- Electrical enclosure door opens downward and is serviceable from underneath the unit.
- Direct NEC clearance requirement below the unit (towards floor).
- Enables easier placement during design and installation.
- Easier serviceability with hard ceiling installation and limited ceiling access panels.

* Check NEC for unit clearance requirement



Remote Mounted Line Voltage Enclosure

- Line voltage enclosure is tethered to the unit by 48" flexible conduit cable and is to be field mounted.
- Provides flexibility for the installer to place the unit in tighter ceiling spaces while maintaining NEC clearance requirement for the line voltage enclosure.

* Check NEC for unit clearance requirement

